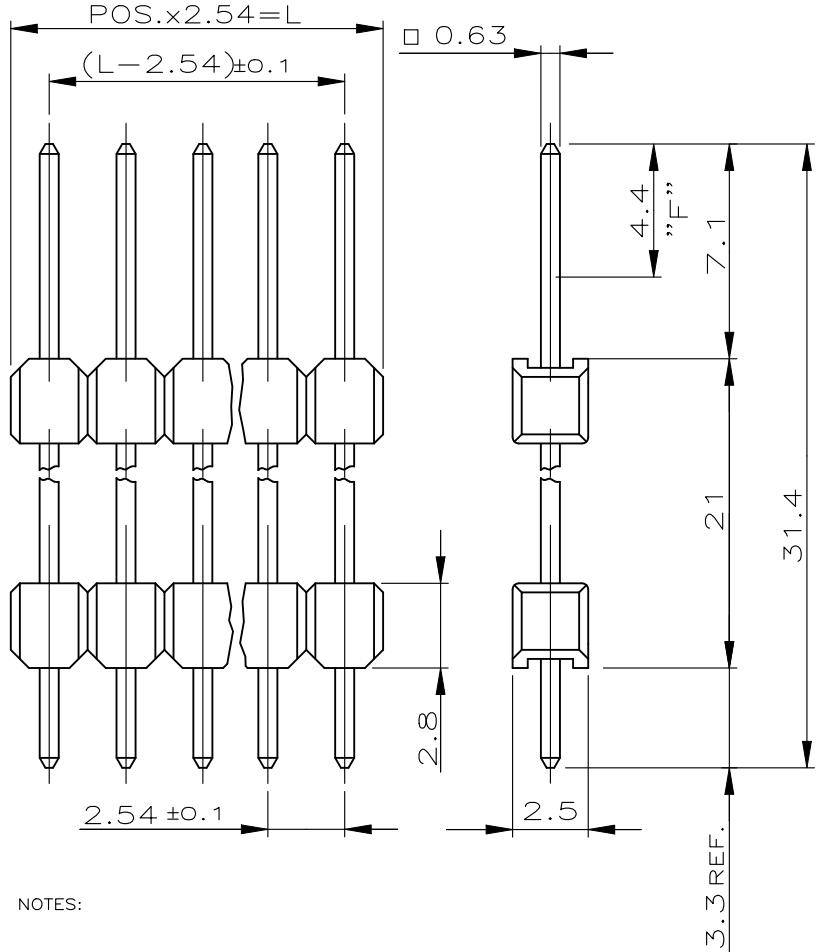


REVISIONS

P	LTR	DESCRIPTION	DATE	DWN	APVD
	C1	REVISED PER ECN-23-215330	24JUL2023	RK	MF

POS.	L±0.4	PART NUMBER	
-	-	-	-
2	5.08	2	OBSOLETE [△] /2
3	7.62	3	OBSOLETE
4	10.16	4	OBSOLETE
5	12.70	5	OBSOLETE
6	15.24	6	[△] /2
7	17.78	7	OBSOLETE
8	20.32	828 228 8	OBSOLETE
9	22.86	9	[△] /2
10	25.40	10	OBSOLETE
11	27.94	11	OBSOLETE [△] /2
12	30.48	12	OBSOLETE
13	33.02	13	OBSOLETE
14	35.56	14	[△] /2
15	38.10	15	OBSOLETE
16	40.64	16	OBSOLETE
17	43.18	17	OBSOLETE
18	45.72	18	[△] /2
19	48.26	19	OBSOLETE
20	50.80	20	OBSOLETE
21	53.34	21	OBSOLETE
22	55.88	22	OBSOLETE
23	58.42	23	OBSOLETE
24	60.96	24	[△] /2
25	63.50	25	OBSOLETE
26	66.04	26	OBSOLETE
27	68.58	27	OBSOLETE
28	71.12	28	OBSOLETE
29	73.66	29	OBSOLETE
30	76.20	30	OBSOLETE
31	78.74	31	OBSOLETE
32	81.28	32	OBSOLETE
33	83.82	33	OBSOLETE
34	86.36	34	OBSOLETE
35	88.90	35	OBSOLETE
36	91.44	36	OBSOLETE
37	93.98	37	OBSOLETE
38	96.52	38	OBSOLETE
39	99.06	39	OBSOLETE
40	101.60	40	OBSOLETE
41	104.14	41	OBSOLETE
42	106.68	42	OBSOLETE
43	109.22	43	OBSOLETE
44	111.76	44	OBSOLETE
45	114.30	45	OBSOLETE
46	116.84	46	OBSOLETE
47	119.38	47	OBSOLETE
48	121.92	48	OBSOLETE
49	124.46	49	OBSOLETE [△] /2
50	127.00	50 828 228 0	OBSOLETE



NOTES:

- [△]1 MATING SIDE: MIN. 0.7µm PdNi + MIN. 0.1µm GOLD FLASH BY AREA "F" OVER 1.27µm NICKEL
SOLDER SIDE: MIN. 2.5µm TIN OVER 1.27µm NICKEL
- [△]2 OBSOLETE PARTS: OBSOLETE CIS STREAMLINING PER D.RENAUD/D.SINISI

CONTACT PIN	CuZn	[△] 1
PIN HOUSING	PBT	GREEN
DESCRIPTION	MATERIAL	FINISH COLOR

TE Connectivity. All Rights Reserved.

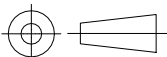


DIMENSIONS:

mm

TOLERANCES UNLESS OTHERWISE SPECIFIED:

0 PLC	±0.2 mm
1 PLC	± -
2 PLC	± -
3 PLC	± -
4 PLC	± -
ANGLES	± -



DWN G.HOLAUS	31.08.89	MATERIAL SEE TABLE	FINISH SEE TABLE
CHK M.SCHAARSCHMIDT	-	TE TE Connectivity	
APVD -	-		
PRODUCT SPEC 108-18012	NAME SPEC. AMPMODU II PIN HEADER, SINGLE ROW	SIZE A4	CAGE CODE 00779
APPLICATION SPEC -	DRAWING NO C-828228	RESTRICTED TO -	
WEIGHT -	CUSTOMER DRAWING		
SCALE 4:1	SHEET 1 OF 1	REV C1	