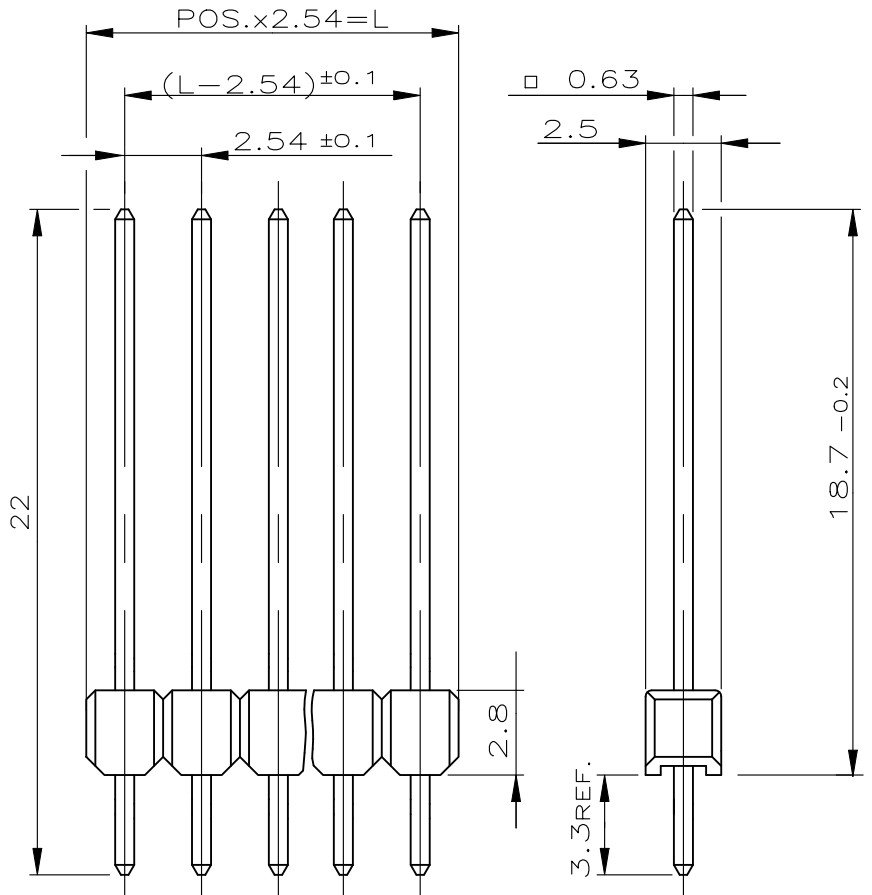


REVISIONS

P	LTR	DESCRIPTION	DATE	DWN	APVD
	H	CHANGE IN PIN MATERIAL	05APR2021	DV	PS

POS.	L±0.4	PART-NO.
-	-	-
2	5.08	2
3	7.62	3
4	10.16	4
5	12.70	5
6	15.24	6
7	17.78	7
8	20.32	8
9	22.86	9
10	25.40	10
11	27.94	11
12	30.48	12
13	33.02	13
14	35.56	14
15	38.10	15
16	40.64	16
17	43.18	17
18	45.72	18
19	48.26	19
20	50.80	2 828 083 0
21	53.34	21
22	55.88	22
23	58.42	23
24	60.96	24
25	63.50	25
26	66.04	26
27	68.58	27
28	71.12	28
29	73.66	29
30	76.20	30
31	78.74	31
32	81.28	32
33	83.82	33
34	86.36	34
35	88.90	35
36	91.44	36
37	93.98	37
38	96.52	38
39	99.06	39
40	101.60	40
41	104.14	41
42	106.68	42
43	109.22	43
44	111.76	44
45	114.30	45
46	116.84	46
47	119.38	47
48	121.92	48
49	124.46	49
50	127.00	5 828083 0



- ⚠ MIN. 2.0 m ZINN ÜBER 1.27 m NICKEL (STIFTSPITZEN BLANK)
- ⚠ OBSOLETE PARTS: OBSOLETE CIS STREAMLINING PER D.RENAUD/D.SINISI

⚠	CuZn	CONTACT PIN
GREEN	PBTP GV	PIN HOUSING
SURFACE AREA	MATERIAL	DESCRIPTION
COLOR		

TE Connectivity. All Rights Reserved.

© 2020

©

DIMENSIONS:  
mm

DWN 31.08.89  
WRULICH

MATERIAL - FINISH -

TE Connectivity

TOLERANCES UNLESS OTHERWISE SPECIFIED:

CHK -  
APVD -  
SCHAARPRODUCT SPEC -

**TE** NAME AMPMODU II STIFTLISTE EINREIHIG

- 0 PLC ± -
- 1 PLC ± -
- 2 PLC ± -
- 3 PLC ± -
- 4 PLC ± -
- ANGLES ± -

APPLICATION SPEC -

SIZE A4 CAGE CODE 00779 DRAWING NO C-828083 RESTRICTED TO -

WEIGHT -

CUSTOMER DRAWING SCALE 4:1 SHEET 1 OF 1 REV H

