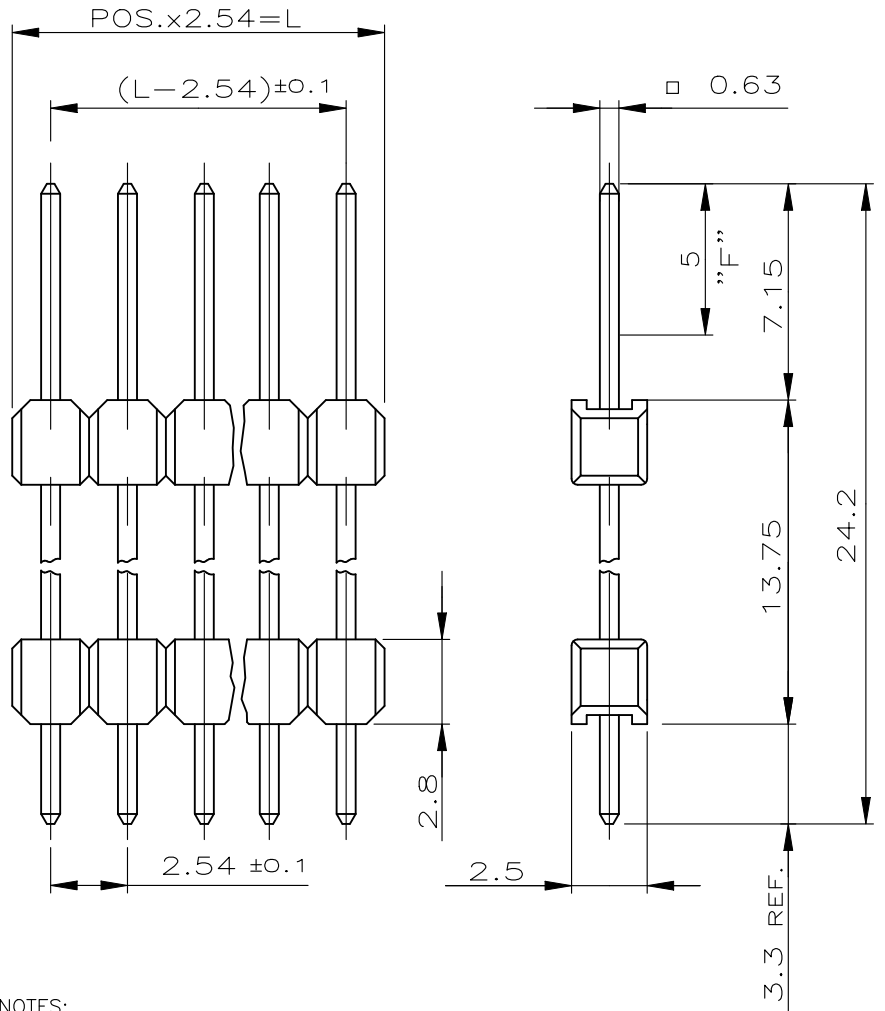


REVISIONS

P	LTR	DESCRIPTION	DATE	DWN	APVD
	G1	NOTE 1 0.76μm PLATING UPDATE (PdNi+AuFLASH)	18JUL2023	BGC	PS

POS.	L±0.3	PART NUMBER
-	-	-
2	5.08	827730-2
3	7.62	-3
4	10.16	-4
5	12.70	-5
6	15.24	-6
7	17.78	-7
8	20.32	-8
9	22.86	-9
10	25.40	1-0
11	27.94	2-1
12	30.48	2-2
13	33.02	1-3
14	35.56	2-4
15	38.10	1-5
16	40.64	3-6
17	43.18	1-7
18	45.72	2-8
19	48.26	2-9
20	50.80	2-0
21	53.34	2-1
22	55.88	2-2
23	58.42	2-3
24	60.96	2-4
25	63.50	2-5
26	66.04	2-6
27	68.58	2-7
28	71.12	2-8
29	73.66	2-9
30	76.20	3-0
31	78.74	3-1
32	81.28	3-2
33	83.82	3-3
34	86.36	3-4
35	88.90	3-5
36	91.44	3-6
37	93.98	3-7
38	96.52	2-8
39	99.06	3-9
40	101.60	2-0
41	104.14	4-1
42	106.68	4-2
43	109.22	4-3
44	111.76	4-4
45	114.30	4-5
46	116.84	4-6
47	119.38	4-7
48	121.92	2-8
49	124.46	4-9
50	127.00	5-827730-0



NOTES:

- ① MATING SIDE: Min 0.76μm (PdNi + Au FLASH) IN ZONE "F" OVER Min 1.27μm Ni (Alternative plating - Min 0.76μm Au OVER Min 1.27μm Ni) SOLDER SIDE: MIN. 2.5μm TIN OVER Min 1.27μm NICKEL
- ② OBSOLETE PARTS: OBSOLETE CIS STREAMLINING PER D.RENAUD/D.SINISI
- ③ OBSOLETE

CONTACT PIN	CuZn	①
PIN HOUSING	PBT	GREEN
DESCRIPTION	MATERIAL	FINISH
		COLOR

TE Connectivity. All Rights Reserved.



DIMENSIONS: mm	DWN	31AUG1989	MATERIAL	SEE TABLE	FINISH	SEE TABLE
	CHK	WRULICH				
TOLERANCES UNLESS OTHERWISE SPECIFIED: ±0.2 mm	APVD	SCHAAR.				
	PRODUCT SPEC					
0 PLC ± -		108-18012	NAME	SPEC. AMPMODU II PIN HEADER		
1 PLC ± -				SINGLE ROW		
2 PLC ± -			SIZE	CAGE CODE	DRAWING NO	RESTRICTED TO
3 PLC ± -			A4	00779	①-827730	-
4 PLC ± -						
ANGLES ± -						
	WEIGHT					
	CUSTOMER DRAWING		SCALE	4:1	SHEET	1 OF 1
						REV G1

