

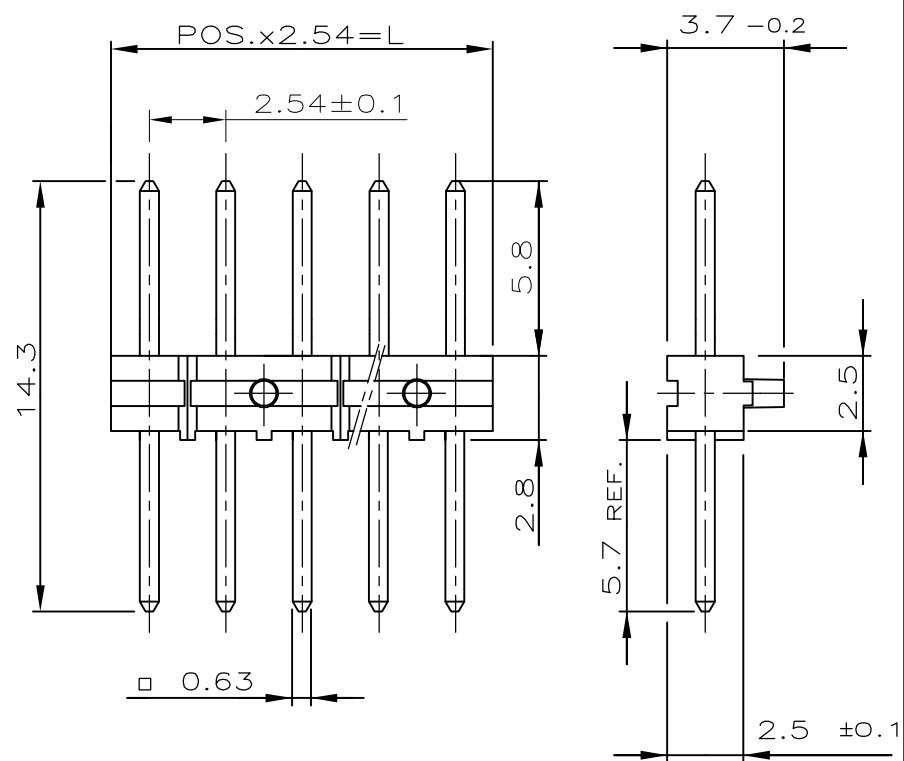
ZEICHNUNG GESCHÜTZT DURCH
 ©COPYRIGHT 1977
 AMP DEUTSCHLAND GMBH
 ALLE RECHTE VORBEHALTEN

ÄNDERUNGEN, DIE DEM
 TECHNISCHEN FORT-
 SCHRITT DIENEN, BE-
 HALTEN WIR UNS VOR

REV.	ECN NO.	DATE	NAME
1	CAD-NEUERSTELLUNG WAR AUF 826 293;C-FORMAT	07.10.91	A.HO
P1	HOUSING MATERIAL WAS PA GV	06DEC2007	ACK

NUMBER 826 315
 USED FOR -
 WAS NO. -

POS.	L±0.3	ORDER-NO.
-	-	-
2	5.08	826 315 -2
3	7.62	-3
4	10.16	-4
5	12.70	-5
6	15.24	-6
7	17.78	-7
8	20.32	-8
9	22.86	-9
10	25.40	1-
11	27.94	1-
12	30.48	1-
13	33.02	1-
14	35.56	1-
15	38.10	1-
16	40.64	1-
17	43.18	1-
18	45.72	1-
19	48.26	1-
20	50.80	2-
21	53.34	2-
22	55.88	2-
23	58.42	2-
24	60.96	2-
25	63.50	2-
26	66.04	2-
27	68.58	2-
28	71.12	2-
29	73.66	2-
30	76.20	3-
31	78.74	3-
32	81.28	3-
33	83.82	3-
34	86.36	3-
35	88.90	3-
36	91.44	3-
37	93.98	3-
38	96.52	3-
39	99.06	3-
40	101.60	4-
41	104.14	4-
42	106.68	4-
43	109.22	4-
44	111.76	4-
45	114.30	4-
46	116.84	4-
47	119.38	4-
48	121.92	4-
49	124.46	4-
50	127.00	5- 826 315 -0



△ 2.0 μm PRE-TIN PLATED

CAD-ORIGINAL
 DO NOT MODIFY DRAWING

		DRAWING VALID FROM		KW 49/07	
		AMP		AMP DEUTSCHLAND G.m.b.H. Langen b.Ffm., West Germany	
		DESCRIPTION		K	
CONTACT PIN	Cu Sn	AMPMODU II PINHEADER SINGLE ROW			
PINHOUSING	PBT GV	GREEN			
DESCRIPTION	MATERIAL	SURFACE COLOUR	TOLERANCES UNLESS OTHERWISE SPECIFIED: ± 0.2 mm	FORMAT	DRAWING-NO.
GEZ. 27.07.77	GEPR. 10.08.77	GEPR. -	± -	A4	826315
GÖTZEL	KREPP	-	SCALE 4:1	SHEET 1 OF 1	REV. P1