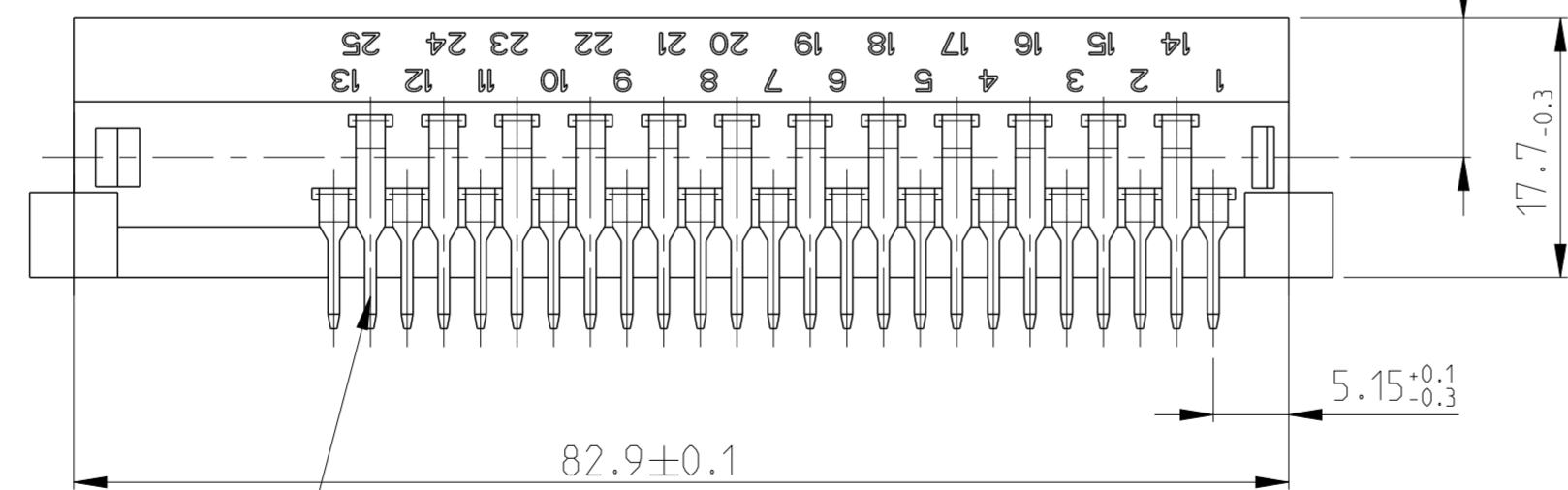
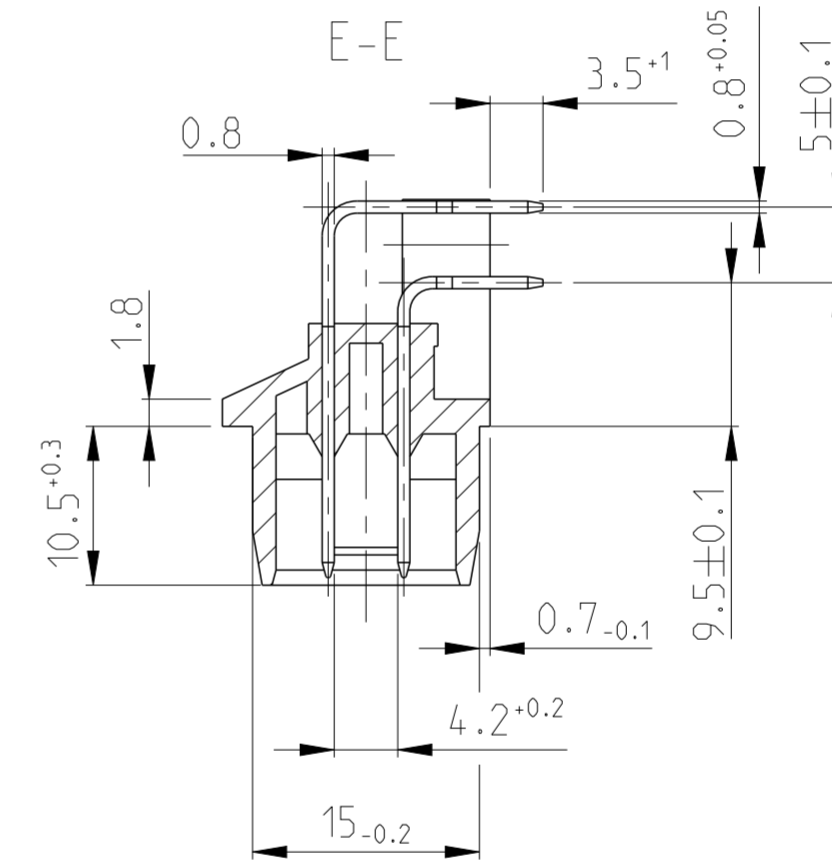
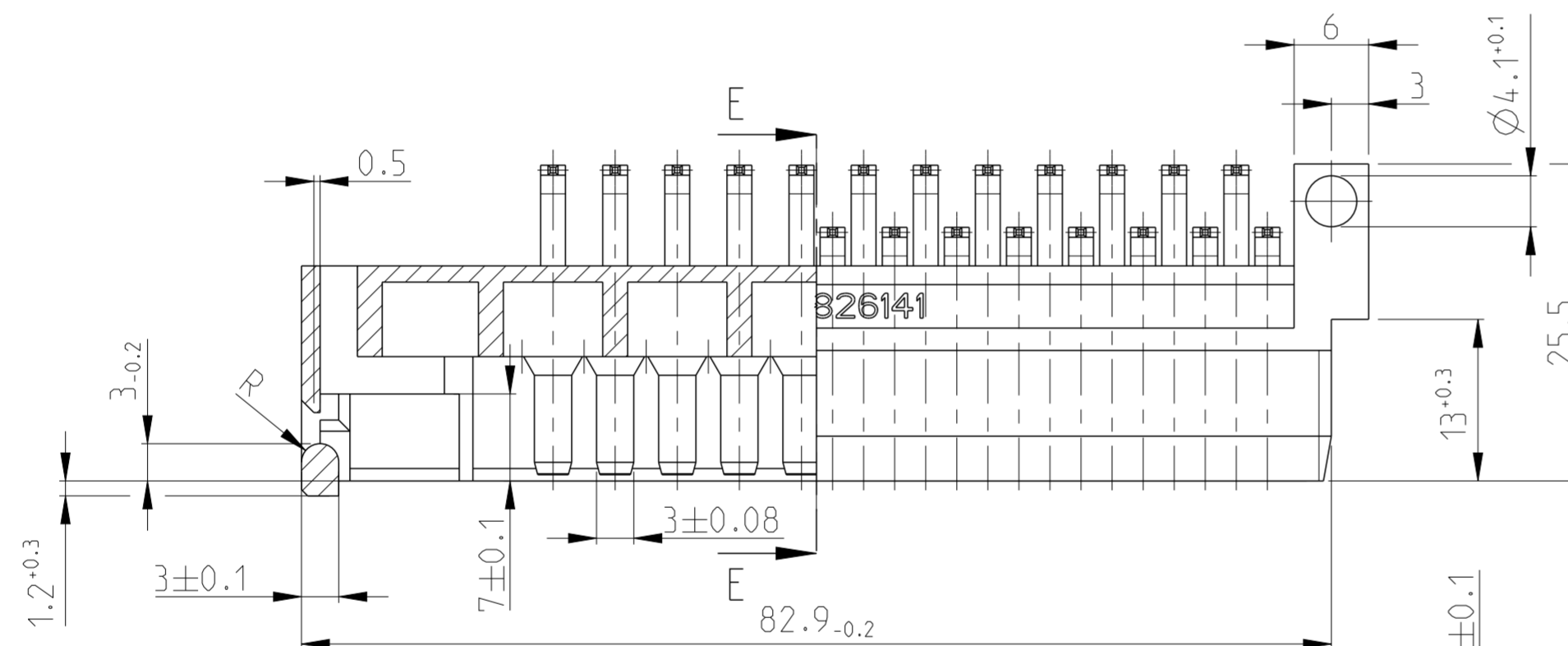
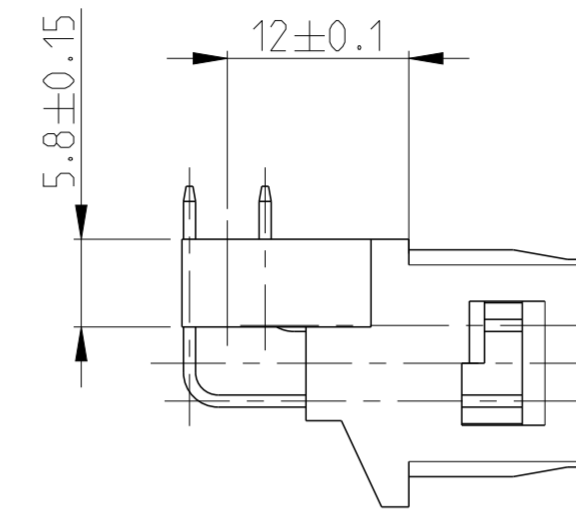
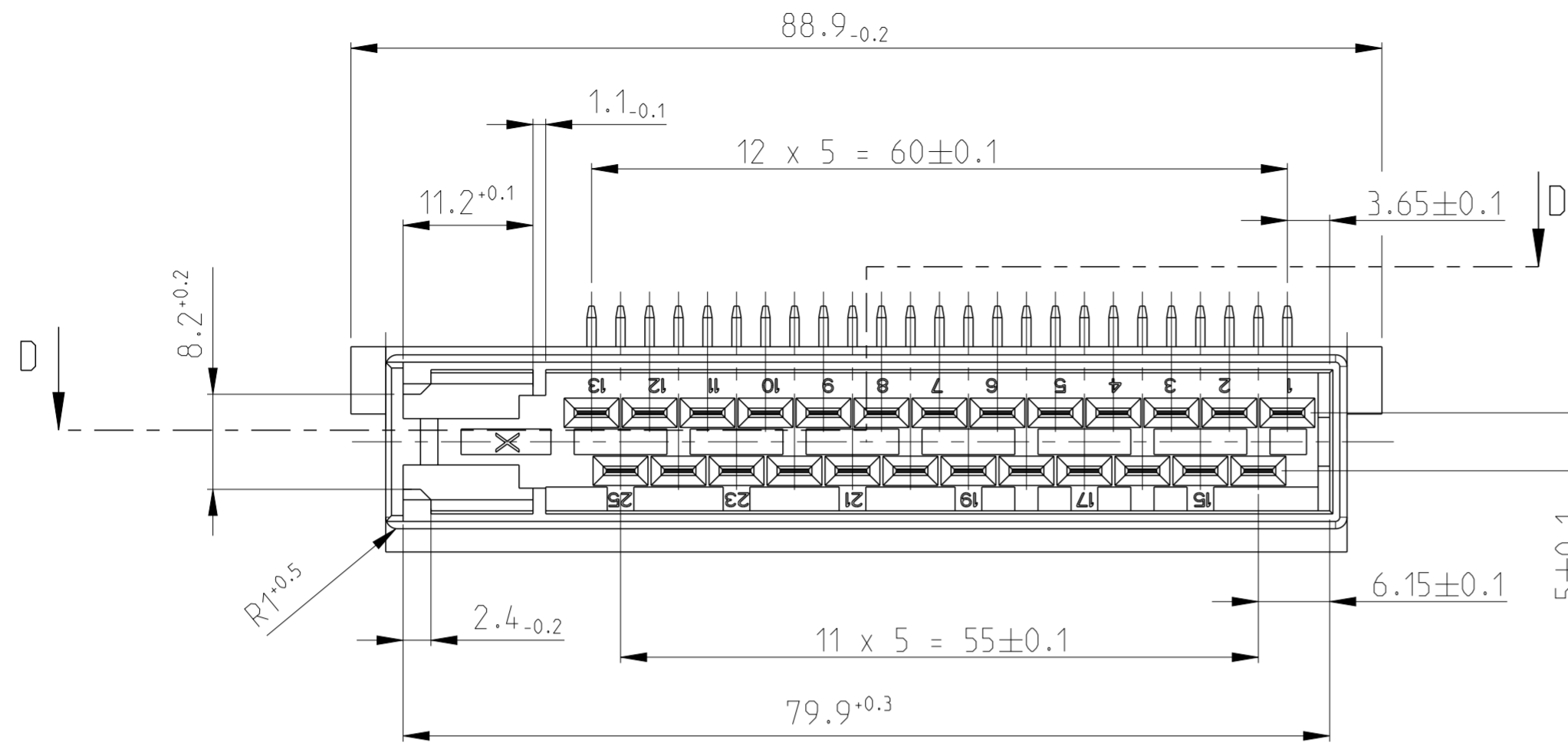


P	LTR	DESCRIPTION	DATE	DWN	APVD
	M2	ECR-20-011706	19AUG2020	KG	KK



NOTES:
Bemerkungen:

- 1 Verpackungseinheit 150 Stück im Karton 725640-1 mit Zwischenlage 725686-2
QUANTITY OF PACKING 150 PIECES INTO CART BOARD BOX 725640-1 WITH FOAMED PLASTIC INTERLAY 725686-2
- 2 Schrifthöhe 2, erhaben 0.2
2 CHARACTERS, RAISED 0.2
- 3 Unternickelt 1-2.5 µm Ni
Ni PLATED 1-2.5 µm Ni
- 4 verzinkt 6-10 µm Sn
Sn PLATED 6-10 µm Sn
- 5 versilbert 2-6 µm Ag
SILVER PLATED 2-6 µm Ag

passend zu Gehäuse 925 471-1

Diagonalmaß 1.1±0.05

M2 OBSOLETE

Cu Zn verzinkt	3 5	826 141-4	PA66 GV13	gelb
Cu Zn	3 5	826 141-3	PA66 GV13	schwarz
Cu Zn	3 4	826 141-2	PA66 GV13	gelb (RAL 1018)
Cu Zn	3 4	826 141-1	PA66 GV13	schwarz
Messerwerkstoff Oberfläche		Bestell-Nr.	Werkstoff	Farbe

THIS DRAWING IS A CONTROLLED DOCUMENT.

DWN K.Schang 18JUL2005
CHK B.Fieberling 18JUL2005

DIMENSIONS:	TOLERANCES UNLESS OTHERWISE SPECIFIED:
mm	0 PLC ±0.1
	1 PLC ±0.1
	2 PLC ±0.1
	3 PLC ±0.1
	4 PLC ±0.1
ANGLES	±°
FINISH	
MATERIAL	
material_2	finish_spec_2

APVD	-
PRODUCT SPEC	-
APPLICATION SPEC	-
WEIGHT	-
CUSTOMER DRAWING	-

		NAME	
		25 pol. Messerleiste	
SIZE	CAGE CODE	DRAWING NO	RESTRICTED TO
A2	100779	C-826141	-
SCALE		SHEET	REV
2:1		1 OF 1	M2