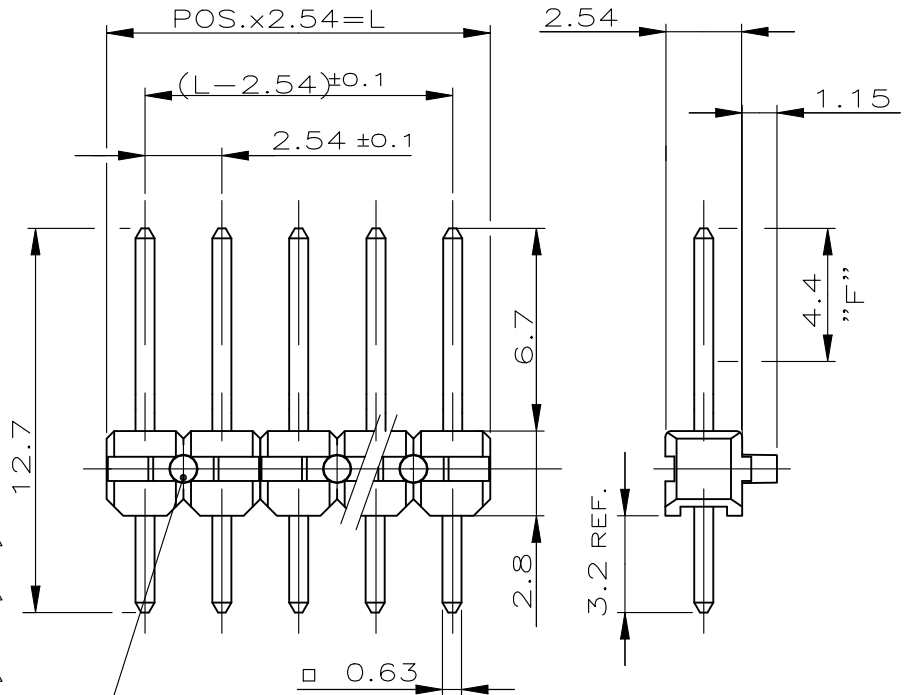


REVISIONS ÄNDERUNGEN DESCRIPTION BESCHREIBUNG					
P	LTR		DATE	DWN	APVD
	S1	NOTE 1 0.76µm PLATING UPDATE (PdNi+AuFLASH)	14JUL2023	BGC	PS

POS.	L±0.5	PART NUMBERS.	
1	2.54	△	-1
2	5.08	825433	-2
3	7.62		-3
4	10.16		-4
5	12.70		-5
6	15.24		-6
7	17.78		-7
8	20.32		-8
9	22.86		-9
10	25.40	1-	-0
11	27.94	1-	-1
12	30.48	1-	-2
13	33.02	1-	-3
14	35.56	1-	-4
15	38.10	1-	-5
16	40.64	1-	-6
17	43.18	1-	-7
18	45.72	1-	-8
19	48.26	1-	-9
20	50.80	2-	-0
21	53.34	2-	-1
22	55.88	2-	-2
23	58.42	2-	-3
24	60.96	2-	-4
25	63.50	2-	-5
26	66.04	2-	-6
27	68.58	2-	-7
28	71.12	2-	-8
29	73.66	2-	-9
30	76.20	3-	-0
31	78.74	3-	-1
32	81.28	3-	-2
33	83.82	3-	-3
34	86.36	3-	-4
35	88.90	3-	-5
36	91.44	3-	-6
37	93.98	3-	-7
38	96.52	3-	-8
39	99.06	3-	-9
40	101.60	4-	-0
41	104.14	4-	-1
42	106.68	4-	-2
43	109.22	4-	-3
44	111.76	4-	-4
45	114.30	4-	-5
46	116.84	4-	-6
47	119.38	4-	-7
48	121.92	4-	-8
49	124.46	4-	-9
50	127.00	5- 825433	-0



LOCATION OF LOCKING PINS
CHANGE IF ODD POLE NUMBERS

- △1 Min 0.76µm (PdNi + Au Flash) by area "F" over Min 1.27µm Nickel (Alternative plating - Min 0.76µm Au by area "F" over Min 1.27µm Nickel) MIN. 2.5µm TIN OVER 1.27µm NICKEL AT SOLDER AREA.
- △2 VARIANTE 825433-1 ERSETZT DURCH 826629-1
- △3 OBSOLETE PARTS
- △4 OBSOLETE PARTS: OBSOLETE CIS STREAMLINING PER D.RENAUD/D.SINISI

CONTACT PIN	CuZn	△
HOUSING	PBT GV	GREEN
DESCRIPTION	MATERIAL	COLOR FINISH

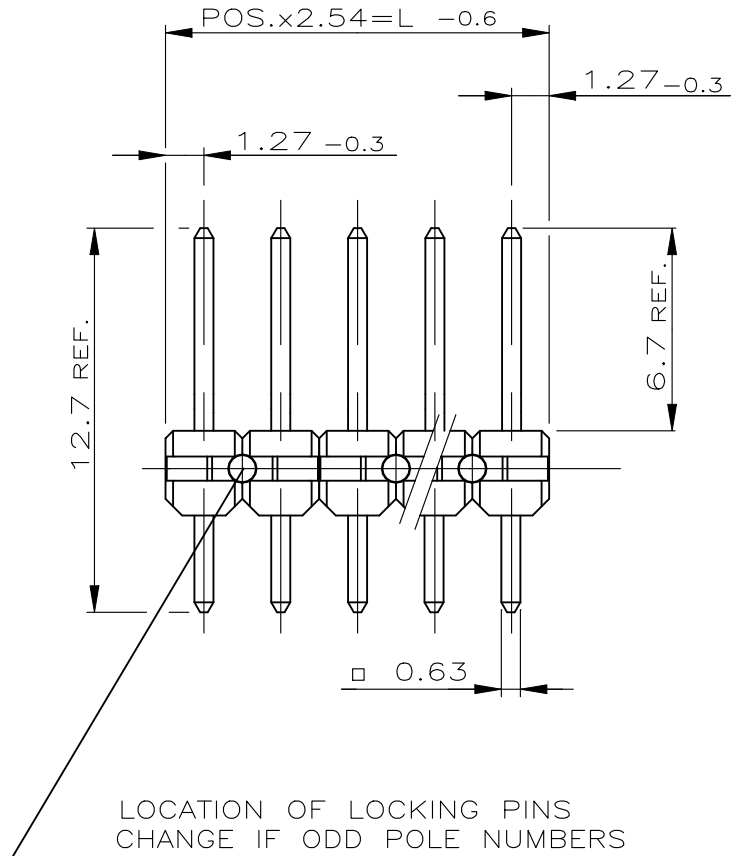
FREI FUER VEROFFENTLICHTUNG

VERTRÄULICHE UNVERÖFFENTLICHTETE ZÄHLUNG. Reserved.

DIMENSIONS: MASSENHEITEN mm	DWN	10MAY1984	MATERIAL	-	FINISH OBERFLÄCHE/FARBE	-	
	CHK	10MAY1984	TE Connectivity				
TOLERANCES UNLESS OTHERWISE SPECIFIED: ALLGEMEINTOLERANZEN	APVD	10MAY1984					
0 PLC ± - 1 PLC ± - 2 PLC ± - 3 PLC ± - 4 PLC ± - ANGLES / WINKEL ± .	PRODUCT SPEC PRODUKTSPEZ.	NAME AMPMODU II PIN HEADER					
	APPLICATION SPEC VERARBEITUNGSSPEZ.	SIZE	CAGE CODE	DRAWING NO ZEICHNUNGS-NR.	RESTRICTED TO NUR FUER		
	WEIGHT GEWICHT	A4	00779	C-825433	-		
	CUSTOMER DRAWING / KUNDENZEICHNUNG			SCALE MASSSTAB	4:1	SHEET BLATT	1 OF 2
						REV	S1

P		LTR		REVISIONS ÄNDERUNGEN DESCRIPTION BESCHREIBUNG	DATE	DWN	APVD
		-		SEE SHEET 1	-	-	-

PARTS PER ROW.	L -0.6	PART NUMBERS	
2	5.08	-	-2
3	7.62	5- 825433	-3
4	10.16	5-	-4
5	12.70	5-	-5
6	15.24	5-	-6
7	17.78	5-	-7
8	20.32	5-	-8
9	22.86	5-	-9
10	25.40	6-	-0
11	27.94	6-	-1
12	30.48	6-	-2
13	33.02	6-	-3
14	35.56	6-	-4
15	38.10	6-	-5
16	40.64	6-	-6
17	43.18	6-	-7
18	45.72	6-	-8
19	48.26	6-	-9
20	50.80	7-	-0
21	53.34	7-	-1
22	55.88	7-	-2
23	58.42	7-	-3
24	60.96	7-	-4
25	63.50	7-	-5
26	66.04	7-	-6
27	68.58	7-	-7
28	71.12	7-	-8
29	73.66	7-	-9
30	76.20	8-	-0
31	78.74	8-	-1
32	81.28	8-	-2
33	83.82	8-	-3
34	86.36	8-	-4
35	88.90	8-	-5
36	91.44	8-	-6
37	93.98	8-	-7
38	96.52	8-	-8
39	99.06	8-	-9
40	101.60	9-	-0
41	104.14	9-	-1
42	106.68	9-	-2
43	109.22	9-	-3
44	111.76	9-	-4
45	114.30	9-	-5
46	116.84	9-	-6
47	119.38	9-	-7
48	121.92	9-	-8
49	124.46	9-	-9
50	127.00	5-	-0



FREI FUER VEROFFENTLICHUNG

VERTRÄULICHE UNVERÖFFENTLICHTE ZÄHLFRÜHUNG. Reserved.

DIMENSIONS: MASSENHEITEN mm	DWN	14AUG1990	MATERIAL	-	FINISH OBERFLÄCHE/FARBE	-
	CHK	M.SCHAARSCHMIDT	TE Connectivity			
TOLERANCES UNLESS OTHERWISE SPECIFIED: ALLGEMEINTOLERANZEN ±0.2 mm	APVD	-				
0 PLC ± - 1 PLC ± - 2 PLC ± - 3 PLC ± - 4 PLC ± - ANGLES / WINKEL ± .	PRODUCT SPEC PRODUKTSPEZ.	-	SIZE	CAGE CODE	DRAWING NO ZEICHNUNGS-NR.	RESTRICTED TO NUR FUER
	APPLICATION SPEC VERARBEITUNGSSPEZ.	-	A4	00779	C-825433	-
WEIGHT GEWICHT			CUSTOMER DRAWING / KUNDENZEICHNUNG			SCALE MASSSTAB
			4:1		SHEET BLATT	2 OF 2
					REV	S1