

THIS DRAWING IS UNPUBLISHED.

RELEASED FOR PUBLICATION

,19

© COPYRIGHT 19

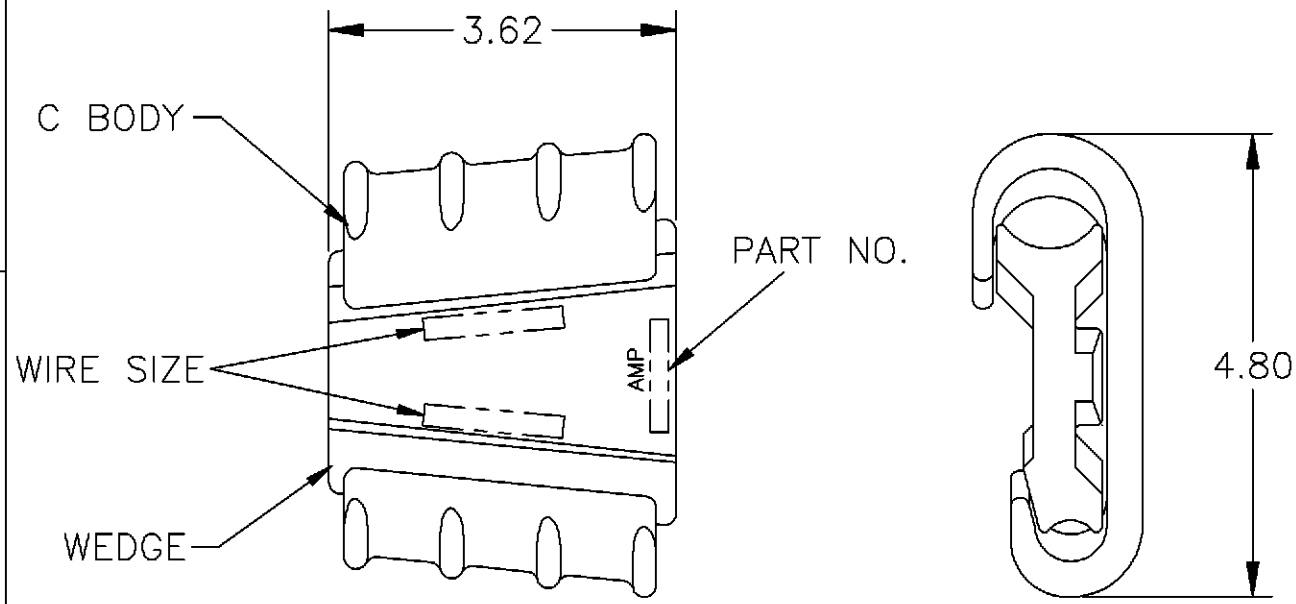
BY AMP INCORPORATED. ALL RIGHTS RESERVED.

LOC  
BG

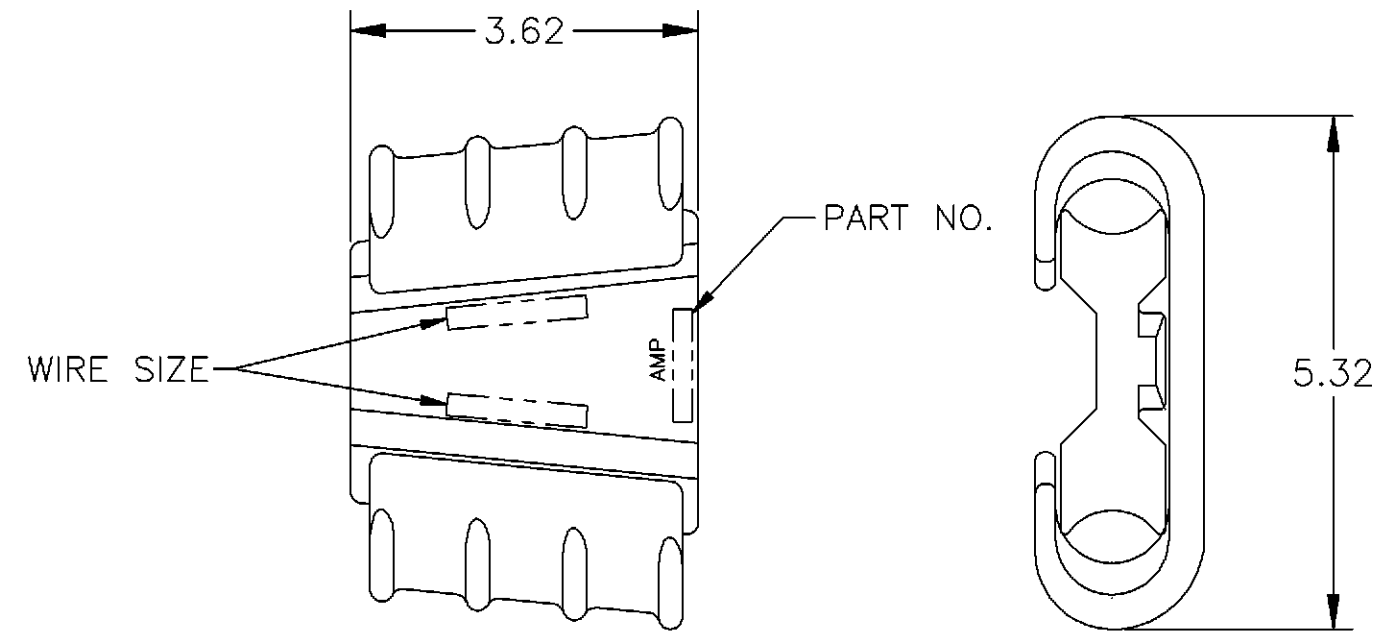
DIST  
1

REVISIONS

P	LTR	DESCRIPTION	DATE	DWN	APVD
0		INITIAL REL. PER LC00-0078-97	29JUN98	MC	JH



VIEW A



VIEW B

1. DIMENSIONS ARE FOR REFERENCE ONLY
2. INHIBITOR IS APPLIED AT FACTORY TO GROOVES OF BODY AND WEDGE
3. USE YELLOW CARTRIDGE NO. 69338-4

WIRE SIZE	VIEW	C BODY QTY.=1	WEDGE QTY.=1	PART NO
750 CU STD - #4, #6 CU STD	A	COPPER ALLOY	COPPER ALLOY	1-81723-3
750 CU STD - #2, 1/0 CU STD				1-81723-2
750 CU STD - 2/0 CU STD				1-81723-1
750 CU STD - 3/0 CU STD				1-81723-0
750 CU STD - 4/0 CU STD				81723-9
750 CU STD - 250 CU STD				81723-8
750 CU STD - 500 CU STD				81723-2
750 CU STD - 750 CU STD	B			81723-1

<small>THIS DRAWING IS A CONTROLLED DOCUMENT FOR AMP INCORPORATED. IT IS SUBJECT TO CHANGE AND THE CONTROLLING ENGINEERING ORGANIZATION SHOULD BE CONTACTED FOR THE LATEST REVISION.</small>		DRAWN BY: M CHOW 29JUN98 CHECKED BY: J WANG 27AUG98 APPROVED BY: J HANNA 28AUG98	<b>AMP</b> AMP of Canada Ltd Markham, Ontario	
DIMENSIONS: INCHES 	TOLERANCES UNLESS OTHERWISE SPECIFIED: 0 PLC ±- 1 PLC ±- 2 PLC ±- 3 PLC ±- 4 PLC ±- ANGLES ±-	PRODUCT SPEC - APPLICATION SPEC - WEIGHT -	NAME: CONNECTOR 750 SERIES, YELLOW CODED COPPER, AMPACT	
MATERIAL: -	FINISH: -	SIZE: A3 CAGE CODE: 00779 DRAWING NO: ©= 81723 SCALE: 1:2	RESTRICTED TO: - SHEET: 1 OF 1	REV: 0
CUSTOMER DRAWING				