



Introducing Corcom WG Series with RAST Connector

The Corcom WG Series filter with integrated RAST connector simplifies installation in appliance and white goods applications. This connector style minimizes installation time and prevents improper connections.

KEY FEATURES

- Simplified installation
- Tubular style filter
- A, B & C versions with standard leakage current suitable for fixed appliances
- D, E & F versions with low leakage current suitable for mobile appliances
- Standard, enhanced and high performance filters available
- 16A rated
- Rated at 250VAC
- UL Recognized, CSA Certified and VDE Approved

APPLICATIONS

- Appliances
- Gaming
- Vending
- Exercise equipment
- Light industrial
- Commercial electronic systems

STANDARDS AND SPECIFICATIONS

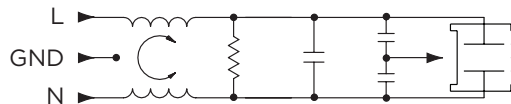


- UL Recognized
- CSA Certified
- VDE Approved

ELECTRICAL SPECIFICATIONS

		A, B & C Models	D, E & F Models
Max. Leakage current each Line to Ground:	@ 120 VAC 60 Hz:	.76 mA	.10 mA
	@ 250 VAC 50 Hz:	1.27 mA	.20 mA
Hipot rating (one minute):	Line to Ground:	2250 VDC	
	Line to Line:	1450 VDC	
Rated Voltage (max):		250 VAC	
Operating Frequency:		50/60 Hz	
Rated Current:		16A	

ELECTRICAL SCHEMATIC



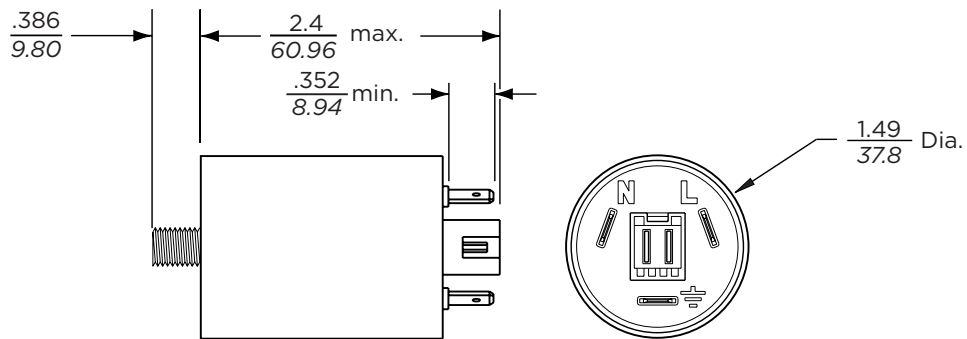
PRODUCT OFFERING

- 3-1609090-8:** 16WGA7 *Standard performance filter with RAST 5 connector*
- 3-1609090-9:** 16WGB7 *Enhanced performance filter with RAST 5 connector*
- 4-1609090-0:** 16WGC7 *High performance filter with RAST 5 connector*
- 4-1609090-1:** 16WGD7 *Standard performance, low leakage current filter with RAST 5*
- 4-1609090-2:** 16WGE7 *Enhanced performance, low leakage current filter with RAST 5*
- 4-1609090-3:** 16WGF7 *High performance, low leakage current filter with RAST 5*

corcom.com



CASE STYLES



Typical Dimensions:
 Terminals (3): .25 [6.3] with .07 [1.8] Dia. hole
 RAST 5: Unkeyed RAST 5 header interface*
 Mounting stud (1): M8 x 1.25

* The RAST 5 interface mates with any two-position (keyed or unkeyed) TE Standard Power Timer connector or RAST 5 Positive Lock Mark III connector

PERFORMANCE DATA

Minimum Insertion Loss - Measured in closed 50 Ohm system

Common Mode / Asymmetrical (Line to Ground)

Part No.	Frequency – MHz									
	.05	.1	.15	.5	1	2	5	10	20	30
16WGA7	3	10	14	33	41	47	54	50	37	30
16WGB7	11	16	21	33	39	44	53	55	37	30
16WGC7	12	18	22	34	41	46	51	52	34	27
16WGD7	3	8	11	22	26	31	31	33	40	44
16WGE7	5	12	15	21	23	25	31	32	37	45
16WGF7	9	14	18	24	26	28	31	32	37	44

Differential Mode / Asymmetrical (Line to Line)

Part No.	Frequency – MHz									
	.05	.1	.15	.5	1	2	5	10	20	30
16WGA7	14	19	22	33	41	51	47	42	48	50
16WGB7	14	19	22	33	41	51	50	45	52	45
16WGC7	13	19	22	33	40	50	58	42	48	42
16WGD7	13	19	22	33	40	48	58	57	54	45
16WGE7	13	19	22	33	40	48	58	57	51	45
16WGF7	13	19	22	33	40	49	58	59	50	44