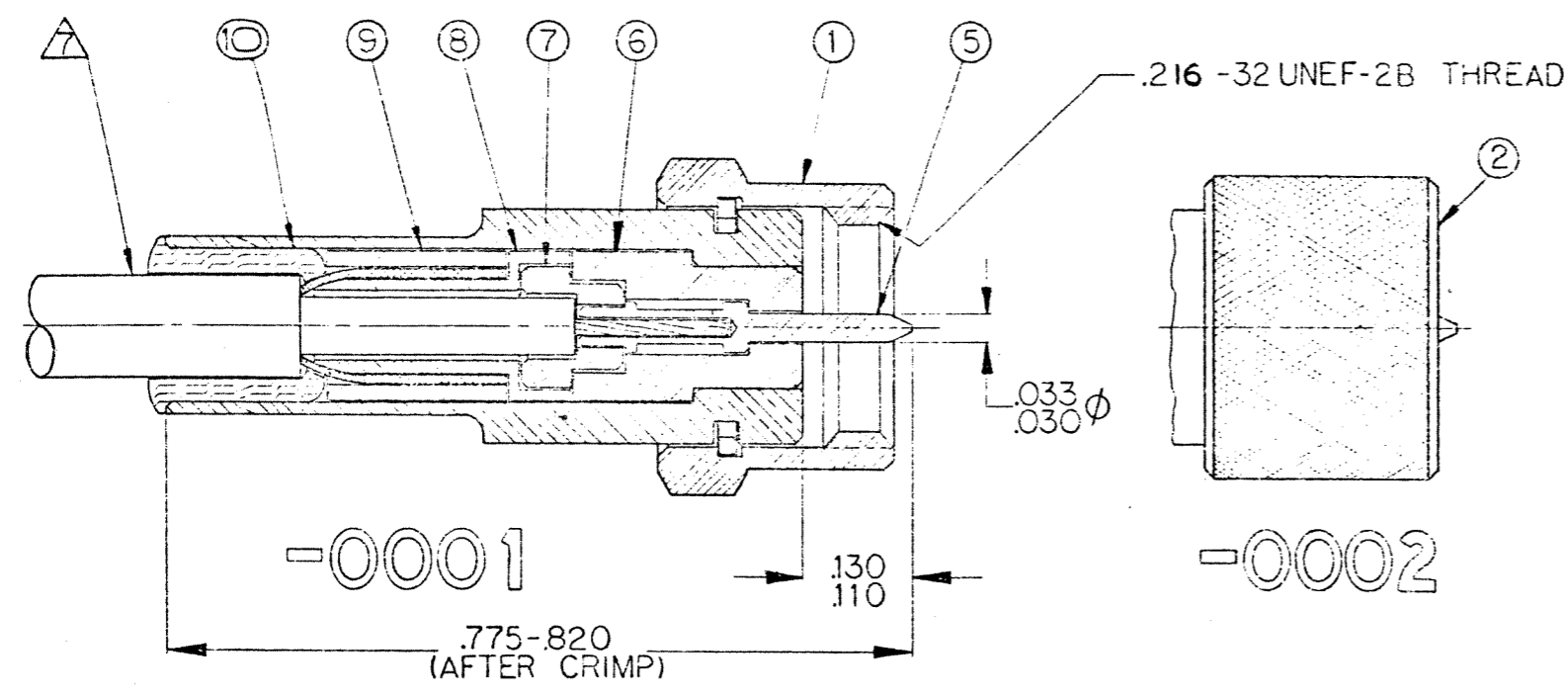


REVISIONS					
ZONE	LTR	ECN	DESCRIPTION	DATE	APPROVED
J		23301	REVISED & REDRAWN	11/10	[Signature]
K		24192	NOTE 2 WAS: ... ASSY TOOL REQ'D: 010-0065-0000 OR 010-0134-0000 FOR CONTACT, 010-0082-0000 FOR HOUSING NOTE A WAS: ... CENTER CONDUCTOR. 5-175 Chan	7/4/79	[Signature]



NOTES: UNLESS OTHERWISE SPECIFIED

- THIS CONNECTOR MATES WITH ALL 70Ω GOLDEN CRIMP, CRIMP SILVER, AND S-70 JACKS & RECEPTACLES AS LISTED IN 'MALCO' CATALOG.
- SEE RF-ASMB-8 ASSY INSTRUCTIONS. SPECIAL TOOL REQUIRED:  
CONTACT CRIMP: 010-0134-0000 & LOCATOR 001-0104-0000.  
ALTERNATE TOOL: 010-0065-0000 (NO LOCATOR REQUIRED)  
HOUSING CRIMP: 010-0082-0000.
- HOUSING, NUT, CONTACT, INNER SLEEVE & MIDDLE SLEEVE:  
GOLD PLATE PER MIL-G-45204, TYPE II, GRADE C, CLASS I.
- DELETED
- COUPLING NUT HAS SAFETY WIRE HOLES WHICH ACCEPT .021 DIA. WIRE.
- FOR ELECTRICAL, MECHANICAL & ENVIRONMENTAL SPECS SEE 'MALCO' CATALOG.
- CABLE ACCOMMODATION DIMENSIONS:  
JACKET DIA .110 MAX.  
DIELECTRIC DIA .057-.070  
INNER CONDUCTOR DIA .009-.019  
FOR USE WITH EXTRUDED OR WRAPPED JACKET.

TYCO NO.      MICRODOT NO.  
 4-1532226-6    132-0200-0001  
 0-1466329-1    132-0200-0002  
                     132-0200-0003  
                     132-0200-0004

1	1	1	1	003-0861-0001	SEALING SLEEVE	SILICONE RUBBER PER ZZ-R-755	⑩		
1	1	1	1	003-0938-0002	MIDDLE CRIMP SLEEVE	LEADED COPPER	⑨		
1	1	1	1	003-0939-0002	INNER CRIMP SLEEVE	BRASS PER QQ-B-626	⑧		
1	1	1	1	003-0937-0001	CABLE INSULATOR	TEFLON PER L-P-403	⑦		
1	1	1	1	003-1336-0001	HOUSING INSULATOR	TEFLON PER L-P-403	⑥		
1	1	1	1	003-0807-0002	PIN CONTACT	BERYLLIUM COPPER PER QQ-C-530	⑤		
⑤	1			003-1341-0004	HOUSING SUBASSY NUT .281" HEX		④		
	1			003-1341-0003	HOUSING SUBASSY NUT .281" HEX		③		
		1		003-1341-0002	HOUSING SUBASSY NUT .290" KNURLED		②		
			1	003-1341-0001	HOUSING SUBASSY NUT .281" PARTIAL HEX		①		
4	1	3	2	1	PART NUMBER	NOMENCLATURE	MATERIAL & SPEC	FINISH	ITEM

QTY	CODE	PART NO.	DESCRIPTION	DATE	APPROVED
UNLESS OTHERWISE SPECIFIED DIMENSIONS ARE IN INCHES TOLERANCES ARE: FRACTIONS    DECIMALS    ANGLES =                =                =					
MATERIAL			CONTRACT NO.		
NOTED			DRAWN BY: [Signature]		
NOTED			CHECKED: [Signature]		
NOTED			APP'D: [Signature]		
NOTED			DATE: 7/1/79		
NOTED			MATERIAL: [Signature]		
NOTED			FINISH: [Signature]		
NOTED			NEXT ASSY: [Signature]		
NOTED			USED ON: [Signature]		
NOTED			APPLICATION: [Signature]		
NOTED			DO NOT SCALE DRAWING		

MALCO A MICRODOT COMPANY, INC. 220 PASADENA AVE., SO. PASADENA, CALIF. 91080		PREC CODE 941
PLUG ASSEMBLY NON-ENVIRONMENTAL GOLDEN CRIMP 70Ω		CDM
SIZE	CODE IDENT NO	DRAWING NO.
B	93278	132-0200-000*