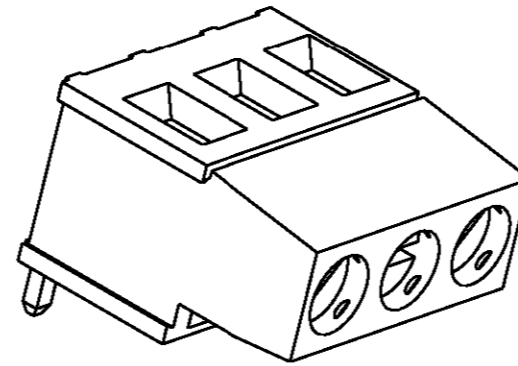
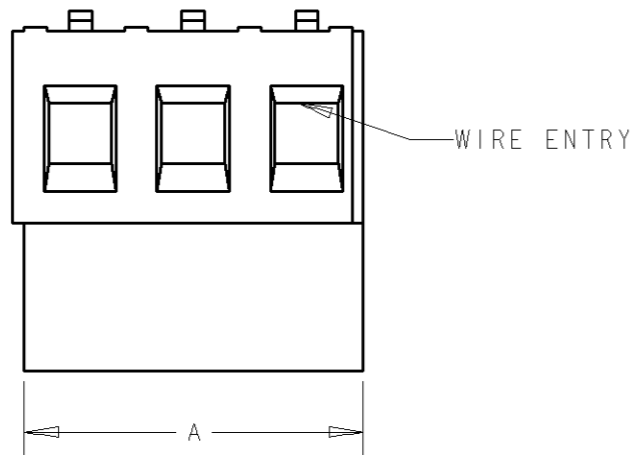


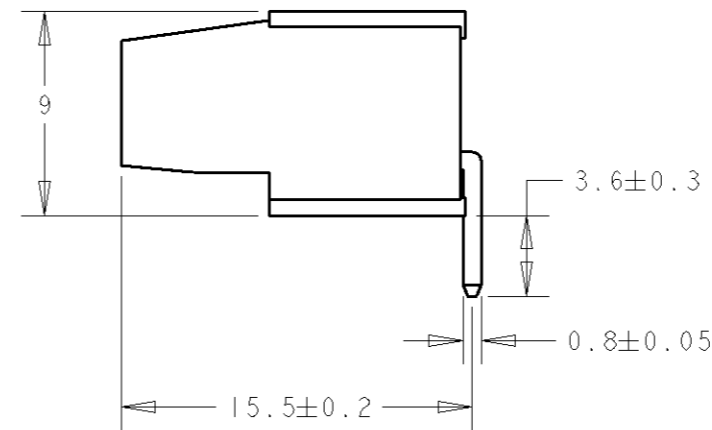
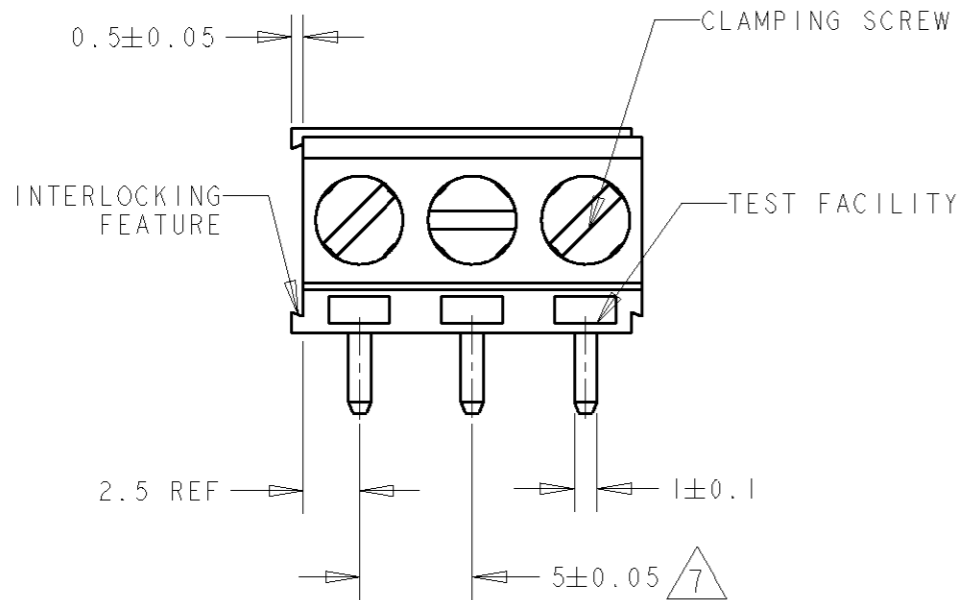
THIS DRAWING IS UNPUBLISHED. RELEASED FOR PUBLICATION 20
 © COPYRIGHT 20 BY TYCO ELECTRONICS CORPORATION. ALL RIGHTS RESERVED.

LOC	DIST	REVISIONS			
P	LTR	DESCRIPTION	DATE	DWN	APVD
FT	0	A	RELEASED	16MAR2001	EZ DB

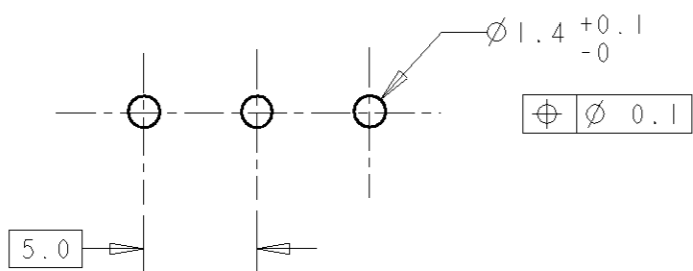


282850-3 AS SHOWN

125	25	2-796684-5
120	24	2-796684-4
115	23	2-796684-3
110	22	2-796684-2
105	21	2-796684-1
100	20	2-796684-0
95	19	1-796684-9
90	18	1-796684-8
85	17	1-796684-7
80	16	1-796684-6
75	15	1-796684-5
70	14	1-796684-4
65	13	1-796684-3
60	12	1-796684-2
55	11	1-796684-1
50	10	1-796684-0
45	9	796684-9
40	8	796684-8
35	7	796684-7
30	6	796684-6
25	5	796684-5
20	4	796684-4
15	3	796684-3
10	2	796684-2





RECOMMENDED PCB LAYOUT


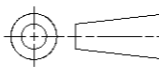


<small>THIS DRAWING IS A CONTROLLED DOCUMENT FOR TYCO ELECTRONICS CORPORATION IT IS SUBJECT TO CHANGE AND THE CONTROLLING ENGINEERING ORGANIZATION SHOULD BE CONTACTED FOR THE LATEST REVISION.</small>		DWN 16MAR2001 E. ZANOLINI CHK 16MAR2001 D. BIEVENOUR APVD 16MAR2001 D. BIEVENOUR		BUCHANAN Tyco Electronics Harrisburg, PA 17105-3608	
DIMENSIONS: mm		TOLERANCES UNLESS OTHERWISE SPECIFIED: 0 PLC ±- 1 PLC ±.3 2 PLC ±.25 3 PLC ±- 4 PLC ±- ANGLES ±2		NAME TERMINAL BLOCK, PCB MOUNT TOP ENTRY WIRE, STACKING W/ INTERLOCK, 5mm PITCH	
MATERIAL		FINISH		SIZE CAGE CODE DRAWING NO RESTRICTED TO A3 00779 C-796684 -	
CUSTOMER DRAWING				SCALE 3:1 SHEET 1 OF 2 REV A	

THIS DRAWING IS UNPUBLISHED. RELEASED FOR PUBLICATION 20
 © COPYRIGHT 20 BY TYCO ELECTRONICS CORPORATION. ALL RIGHTS RESERVED.

LOC	DIST	REVISIONS					
		P	LTR	DESCRIPTION	DATE	DWN	APVD
FT	0	-	-	SEE SHEET 1	-	-	-

- 1  MATERIALS AND FINISH
 HOUSING: PA 6-6, UL 94-V0, COLOR BLUE.
 CLAMP: BRASS, NICKEL PLATED.
 TERMINAL: BRASS, TIN PLATED.
 CLAMPING SCREW: M3, BRASS, NICKEL PLATED.
- 2 SUITABLE FOR 1,6-2,4mm PC BOARD THICKNESS.
- 3 END-TO-END STACKABLE W/INTERLOCK WITHOUT LOSS OF CENTERLINE SPACING.
- 4 WIRE SIZE RANGE
 SOLID WIRE: 0,03-2,5mm² (13AWG).
 STRANDED WIRE: 0,03-1,5mm² (15AWG).
- 5 RECOGNIZED UNDER THE COMPONENT PROGRAM OF UNDERWRITERS LABORATORIES INC. FILE N° E60677.
- 6 IMQ CERTIFICATE WITH SURVEILLANCE IN CONFORMITY WITH IEC 998-1/998-2-1.
- 7  NOT CUMULATIVE TOLERANCE.

<small>THIS DRAWING IS A CONTROLLED DOCUMENT FOR TYCO ELECTRONICS CORPORATION IT IS SUBJECT TO CHANGE AND THE CONTROLLING ENGINEERING ORGANIZATION SHOULD BE CONTACTED FOR THE LATEST REVISION.</small>		DWN	16MAR2001	 Tyco Electronics Harrisburg, PA 17105-3608
DIMENSIONS:		CHK	16MAR2001	
mm		APVD	16MAR2001	
		NAME TERMINAL BLOCK, PCB MOUNT TOP ENTRY WIRE, STACKING W/ INTERLOCK, 5mm PITCH		
TOLERANCES UNLESS OTHERWISE SPECIFIED: 0 PLC ±- 1 PLC ±.3 2 PLC ±.25 3 PLC ±- 4 PLC ±- ANGLES ±2		PRODUCT SPEC - APPLICATION SPEC - WEIGHT -		
MATERIAL	-	SIZE CAGE CODE DRAWING NO RESTRICTED TO A3 00779 C-796684 -		
FINISH		CUSTOMER DRAWING SCALE 3:1 SHEET 2 OF 2 REV A		