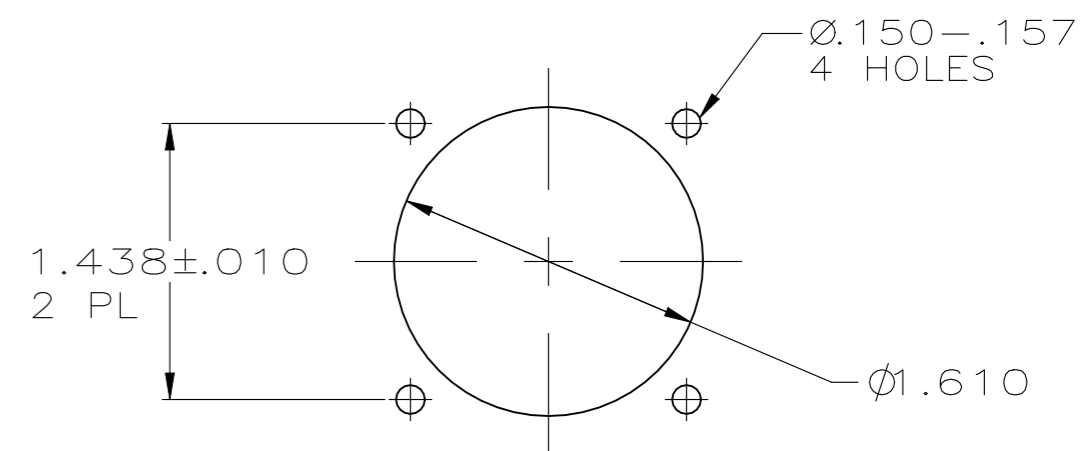
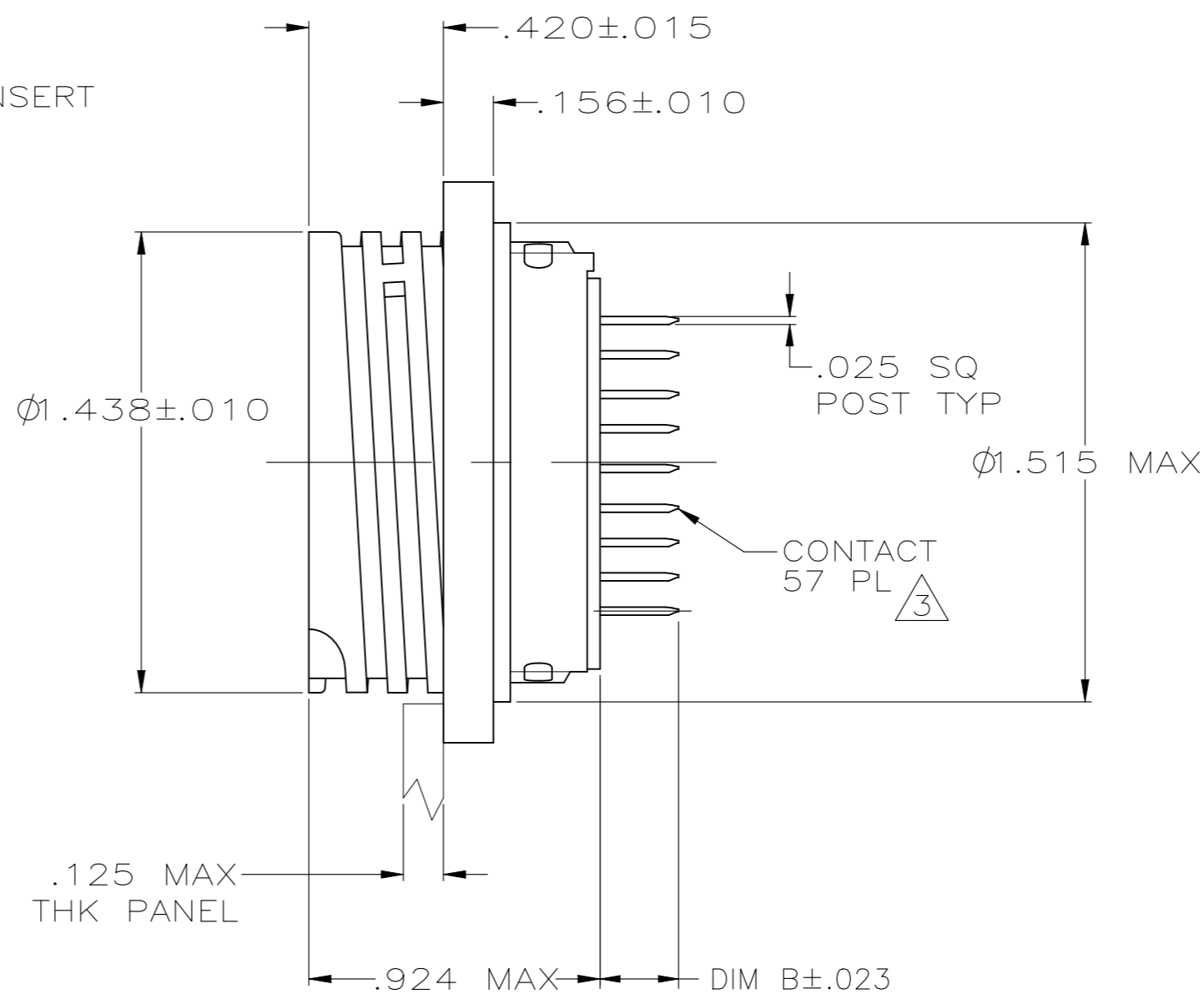
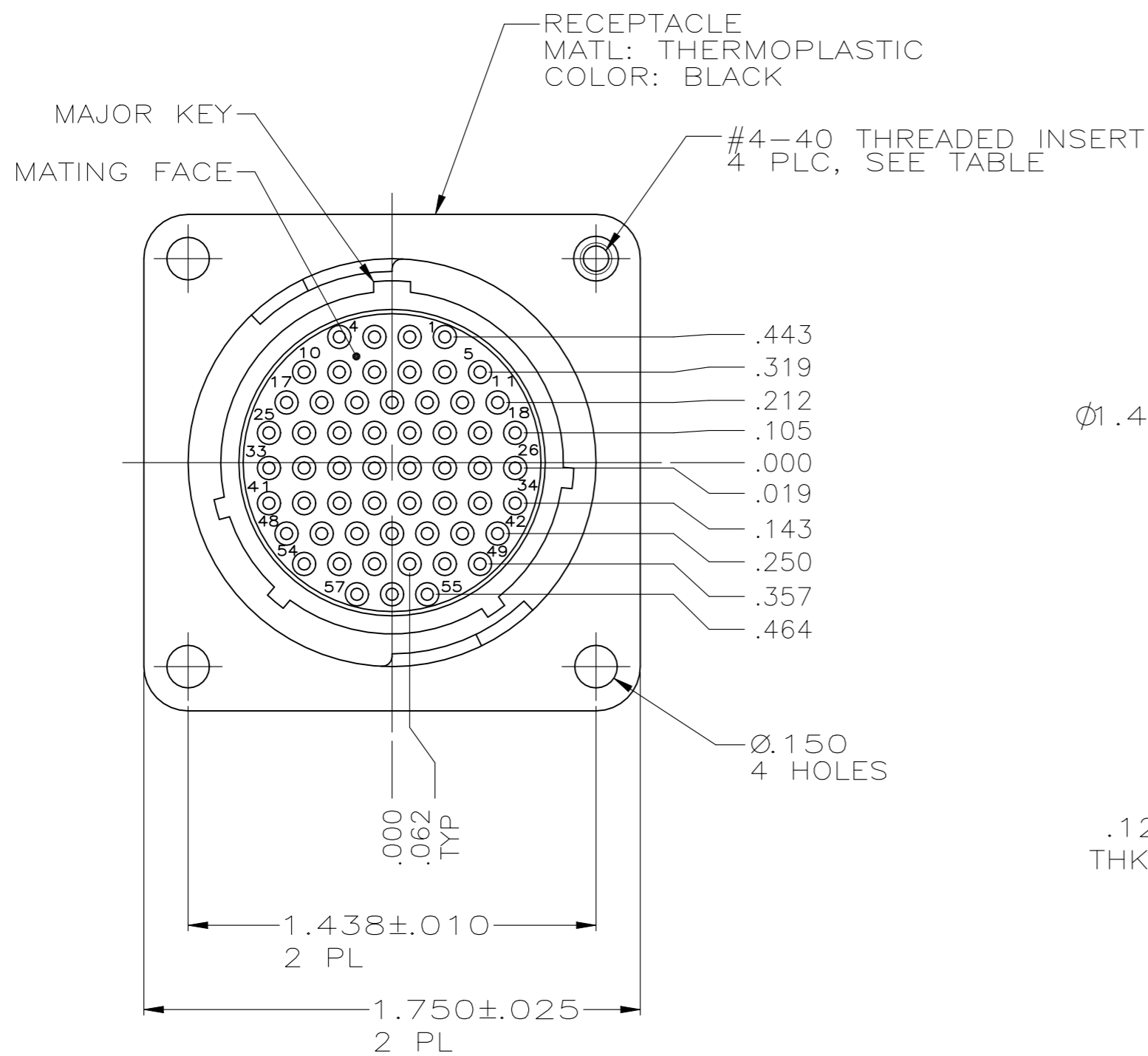


REVISIONS					
P	LTR	DESCRIPTION	DATE	DWN	APVD
G1		REVISED PER ECN-23-205702	12JUL2023	RK	MZ



PANEL CUTOUT  
SCALE: 1:1

- CONTACT CAVITIES IDENTIFIED BY CHARACTERS ON FRONT AND REAR FACES OF CONNECTOR.
- #4 FASTENER RECOMMENDED FOR MOUNTING.
- △.000030 MIN GOLD FOR A LENGTH OF .100 MIN FROM MATING END, .000100 MIN TIN-LEAD FOR A LENGTH OF .565 FROM OPPOSITE END, ALL OVER .000050 MIN NICKEL.
- △.000030 MIN GOLD FOR A LENGTH OF .100 MIN FROM MATING END, .000100 MIN TIN FOR A LENGTH OF .565 FROM OPPOSITE END, ALL OVER .000050 MIN NICKEL.
- △.000001 MIN GOLD FOR A LENGTH OF .100 MIN FROM MATING END, .000100 MIN TIN ON TAIL LENGTH, ALL OVER .000050 MIN NICKEL.
- RECOMMENDED PC BOARD HOLE SIZE FOR CONTACT POST = .041±.003 DIA.
- △ PRELIMINARY PART NUMBER.

	.245	△4	NO	1-796329-1
△ OBSOLETE	.557	△5	NO	796329-5
	.467	△5	NO	796329-4
	.245	△4	YES	796329-3
OBSOLETE	.245	△3	YES	796329-2
OBSOLETE	.245	△3	NO	796329-1
	DIM B	CONTACT FINISH	4-40 THREADED INSERTS	PART NUMBER

THIS DRAWING IS A CONTROLLED DOCUMENT.		DWN	1-31-00		
		CHK	2-1-00		
		APVD	2-1-00	NAME	
		PRODUCT SPEC		RECEPTACLE ASSY, POSTED, REV SEX, SIZE 23-57, SERIES 2, CPC	
		APPLICATION SPEC		SIZE	RESTRICTED TO
		WEIGHT		A2	
		CUSTOMER DRAWING		CAGE CODE	
				00779	
				DRAWING NO	
				C=796329	
				SCALE	
				2:1	
				SHEET	
				1 OF 1	
				REV	
				G1	