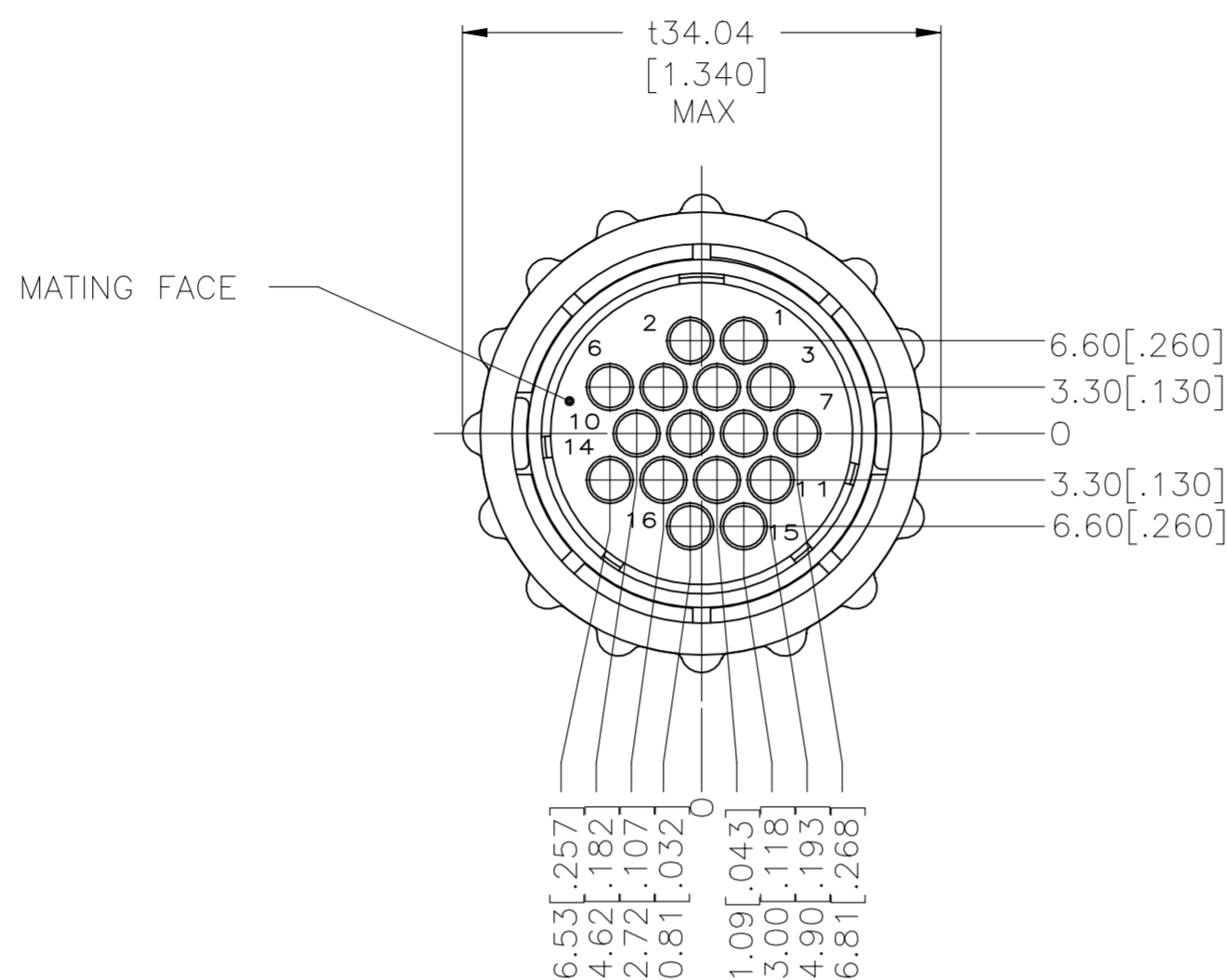
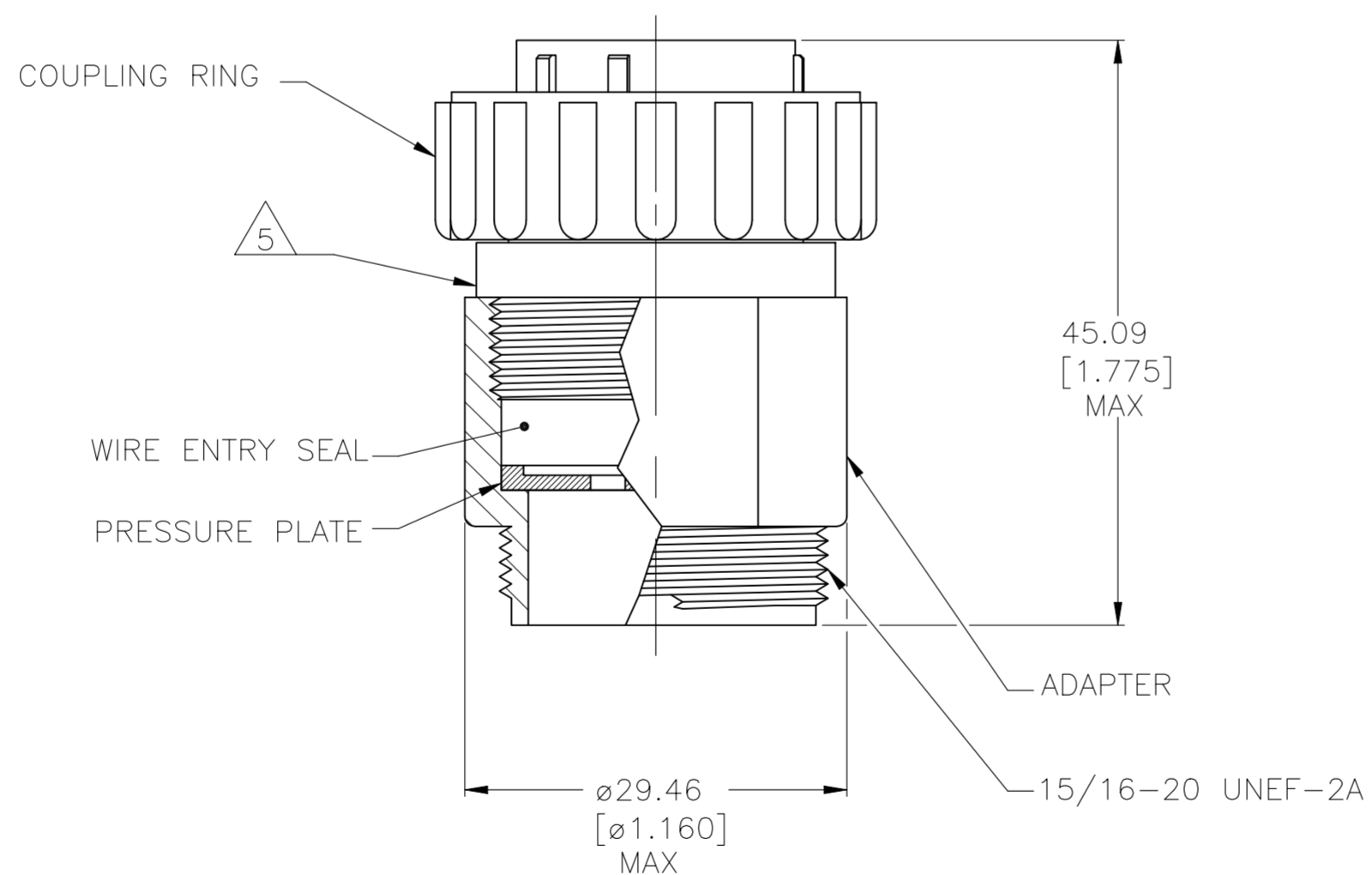


REVISIONS				
P	LTR	DESCRIPTION	DATE	APVD
G		REVISED PER ECO-21-006945	28OCT2021	RK MZ



- 1 HOUSING, ADAPTER AND PRESSURE PLATE: NYLON, BLACK.
WIRE ENTRY SEAL: ELASTOMER, SEE TABLE.
COUPLING RING: POLYPHENYLENE, BLACK.
- 2 CONNECTOR WILL ACCEPT (16) MULTIMATE SOCKET CONTACTS.
- 3 HOUSING, ADAPTOR AND COUPLING RING MATERIAL: POLYESTER, PBT.
- 4 METAL COUPLING RING.
- 5 TE LOGO AND 206037-1 PART NUMBER LOCATED ANYWHERE ON THIS SURFACE.



4	OBSOLETE	RED-IRON OXIDE	.065 - .100	STANDARD	—796274-4—
3	OBSOLETE	YELLOW	.040 - .080	SMALL	—796274-3—
1		YELLOW	.040 - .080	SMALL	796274-2
1		RED-IRON OXIDE	.065 - .100	STANDARD	796274-1
		SEAL COLOR	WIRE INSULATION DIAMETER RANGE	INSULATION	PART NUMBER

THIS DRAWING IS A CONTROLLED DOCUMENT.

DIMENSIONS: mm [INCHES]	TOLERANCES UNLESS OTHERWISE SPECIFIED: 0 PLC ± - 1 PLC ± - 2 PLC ± - 3 PLC ± - 4 PLC ± - ANGLES ± -	FINISH	FINISH	WEIGHT	SCALE	SHEET	REV
					2:1	1 of 1	G

DWN L. McEACHIN 27-JAN-2000	NAME ASSEMBLY, PLUG, STANDARD SEX, 17-16, STANDARD OR SMALL INSULATION DIA., SEALED
CHK K. DOWHOWER 27-JAN-2000	SIZE A2
APVD K. DOWHOWER 27-JAN-2000	CAGE CODE 00779
PRODUCT SPEC	DRAWING NO C=796274
APPLICATION SPEC	RESTRICTED TO
CUSTOMER DRAWING	

TE Connectivity