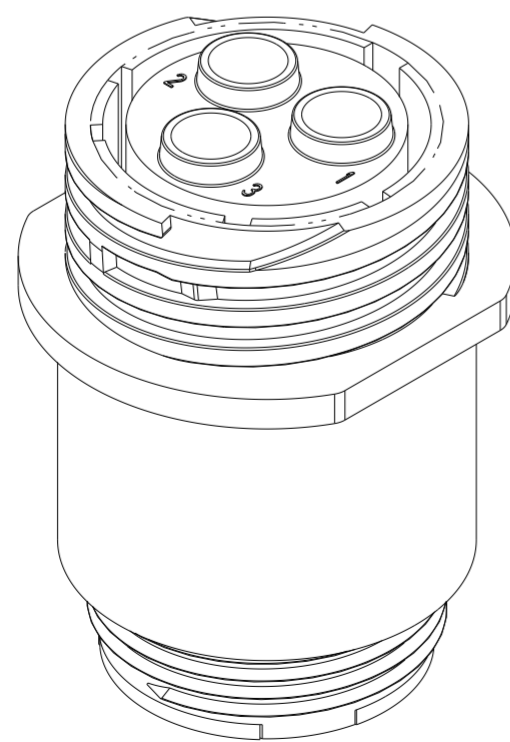
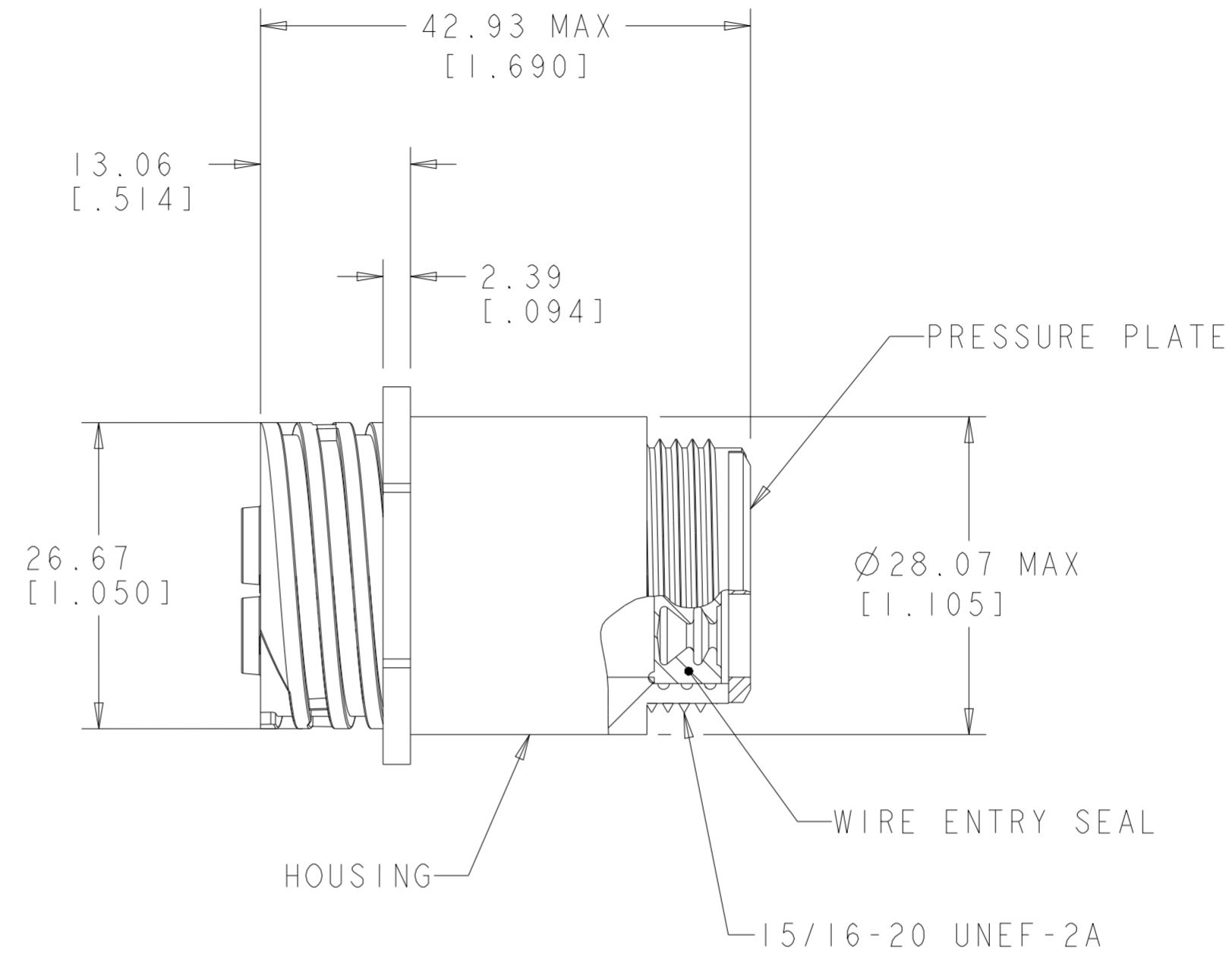
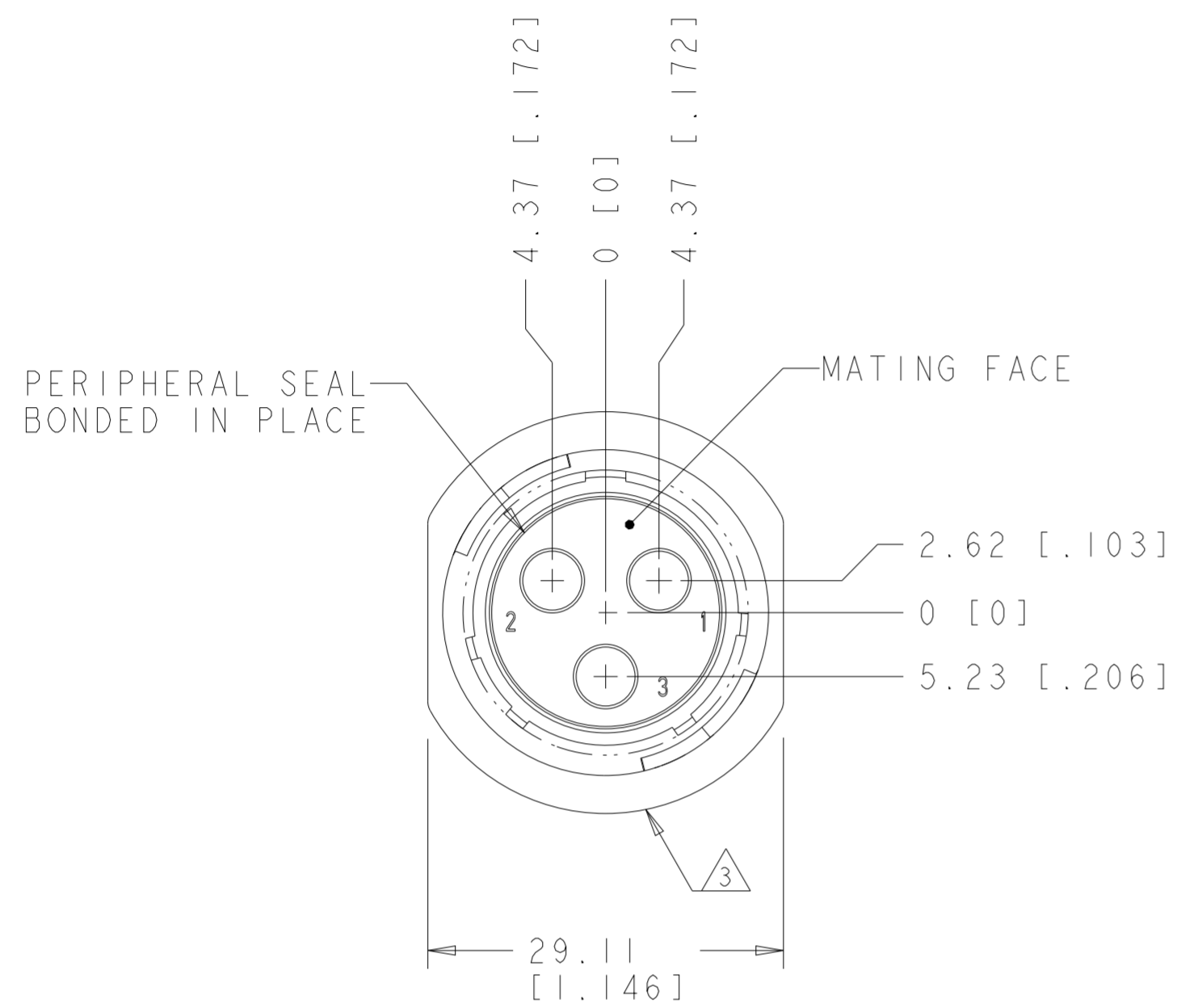


P	LTR	DESCRIPTION	DATE	DWN	APVD
E		REVISED PER ECO-21-006943	13OCT2021	RK	MZ



- △ HOUSING & PRESSURE PLATE: NYLON, BLACK.  
WIRE ENTRY SEAL: ELASTOMER, RED-IRON OXIDE.  
PERIPHERAL SEAL: ELASTOMER, BLACK.
- 2. WILL ACCEPT (3) POWER BAND SOCKET CONTACTS.
- △ TE LOGO LOCATED ON ANY FLANGE EDGE.

OBSOLETE	3.81-6.73 [.150-.265]	796112-2
	2.41-5.21 [.095-.205]	796112-1
	INSULATION RANGE	PART NUMBER

THIS DRAWING IS A CONTROLLED DOCUMENT.		DWN S. WELDON 07FEB2000	<b>STE</b> TE Connectivity	
DIMENSIONS: mm [INCHES]		CHK K. DOWHOWER 07FEB2000		
TOLERANCES UNLESS OTHERWISE SPECIFIED:		APVD K. DOWHOWER 07FEB2000	NAME RECEPTACLE ASSY, SERIES 5, REVERSE SEX, SIZE 17-3, CIRCULAR PLASTIC CONNECTOR	
0 PLC ± 1 PLC ± 2 PLC ±0.02 3 PLC ± 4 PLC ± ANGLES ± FINISH -		PRODUCT SPEC 108-1579	SIZE CAGE CODE DRAWING NO A200779 C-796112	
MATERIAL △		APPLICATION SPEC -	RESTRICTED TO	
		WEIGHT -	SCALE 2:1 SHEET 1 OF 1 REV E	
		CUSTOMER DRAWING		