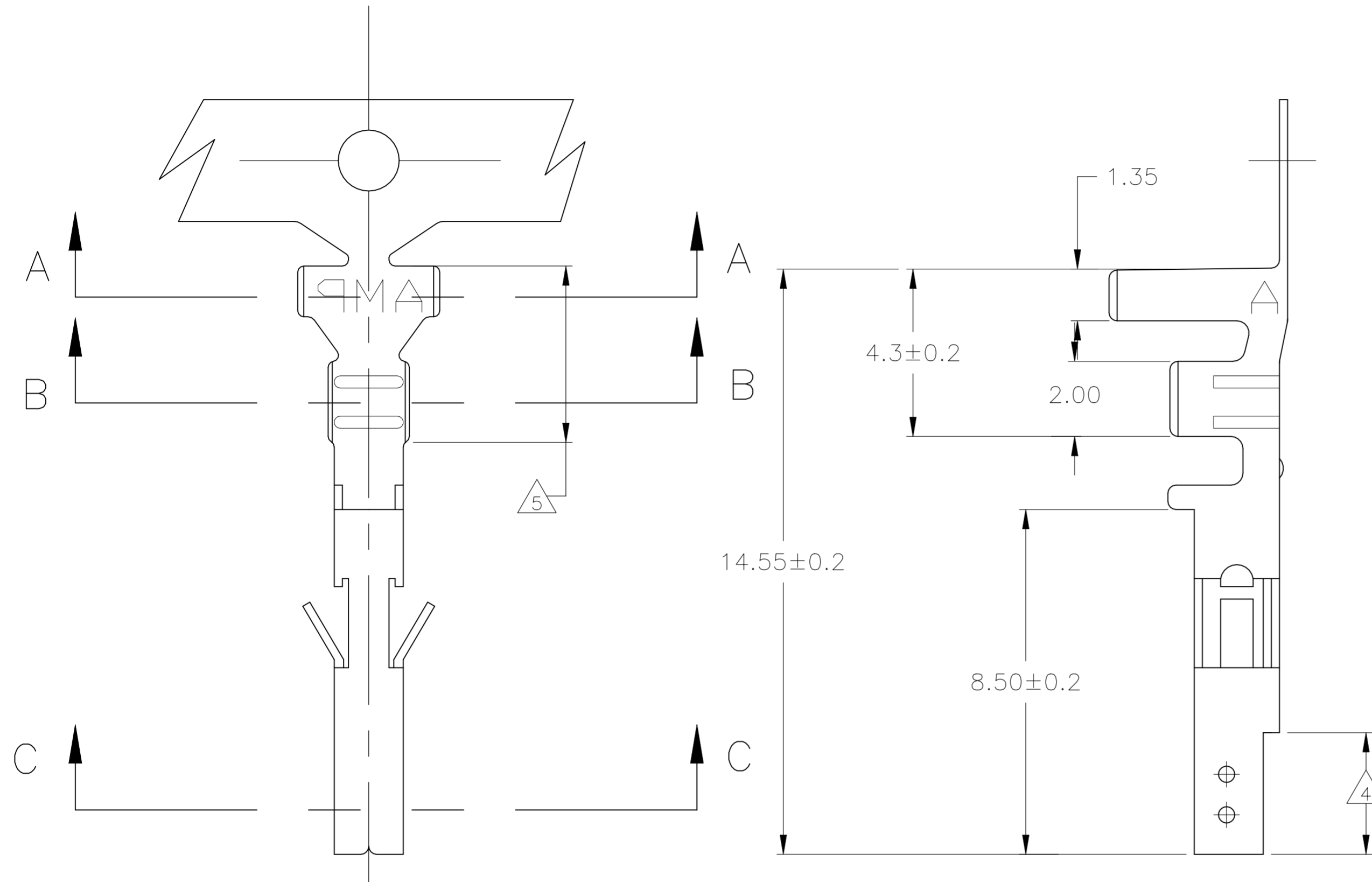
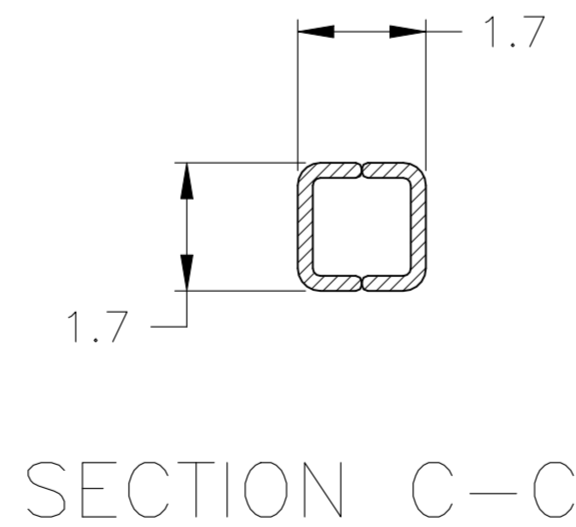
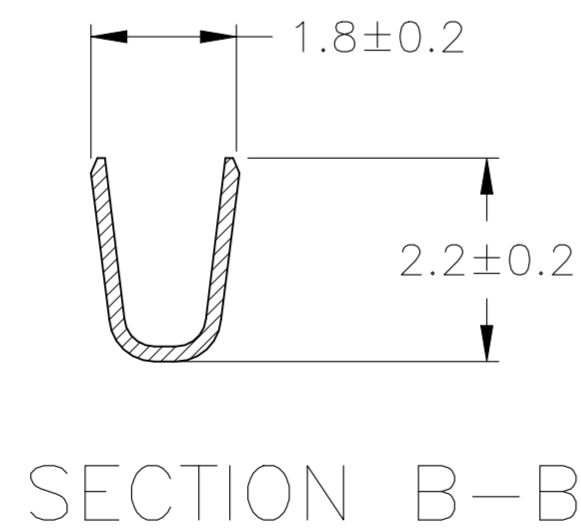
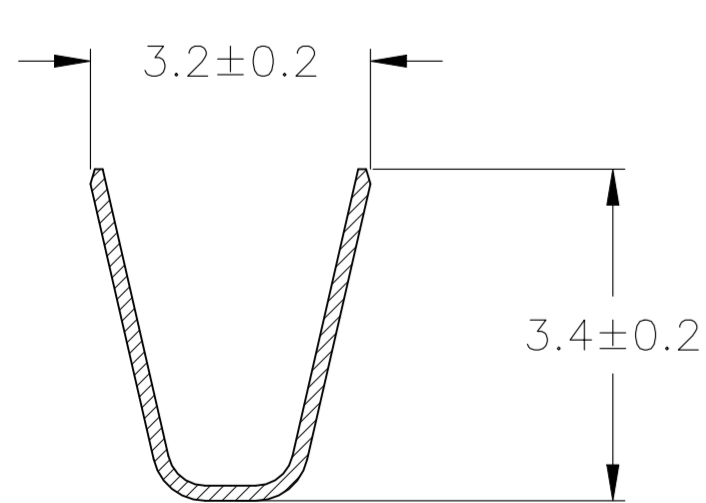


REVISIONS					
P	LTR	DESCRIPTION	DATE	DWN	APVD
F5		REVISED PER ECR-23-173068	06DEC2023	P.C	D.Z



- 1 WIRE RANGE: 0.13–0.32mm² (26–22 AWG).
- 2 INSULATION RANGE: 1.20–1.75 DIA.
- 3 FINISH: 1.27μm MIN NICKEL ALL OVER
- 4 FINISH: 0.76μm MIN GOLD ON INNER SURFACE, PERMITTED ON OUTER SURFACE.
- 5 FINISH: 2.54μm MIN TIN ON ALL SURFACES IN THIS AREA.
- 6 FINISH: 2.54μm MINIMUM PRE-TIN OVERALL



5	GOLD 3 4	PHOS. BRZ.	794958-4
	PRE-TIN 6	PHOS. BRZ.	794958-3
5	GOLD 3 4	BRASS	794958-2
	PRE-TIN 6	BRASS	794958-1
	FINISH:	MATERIAL:	PART NO.

THIS DRAWING IS A CONTROLLED DOCUMENT.		DWN S. HAMM 10-SEP-2001	TE Connectivity	
DIMENSIONS: mm [INCHES]		CHK D. COLEY 10-SEP-2001		
TOLERANCES UNLESS OTHERWISE SPECIFIED:		APVD D. COLEY 10-SEP-2001	NAME	
0 PLC ±		PRODUCT SPEC	108-2112	
1 PLC ± 0.15		APPLICATION SPEC	114-13172	
2 PLC ± 0.10		WEIGHT	-	
3 PLC ± -		SCALE	A2 00779 C=794958	
4 PLC ±		CUSTOMER DRAWING	SIZE	RESTRICTED TO
ANGLES ±			CAGE CODE	
FINISH			DRAWING NO	
			SCALE	
			SHEET	
			REV	