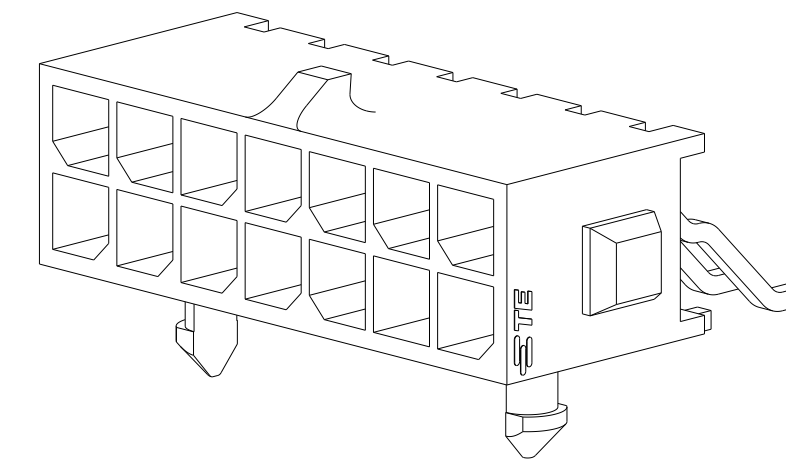
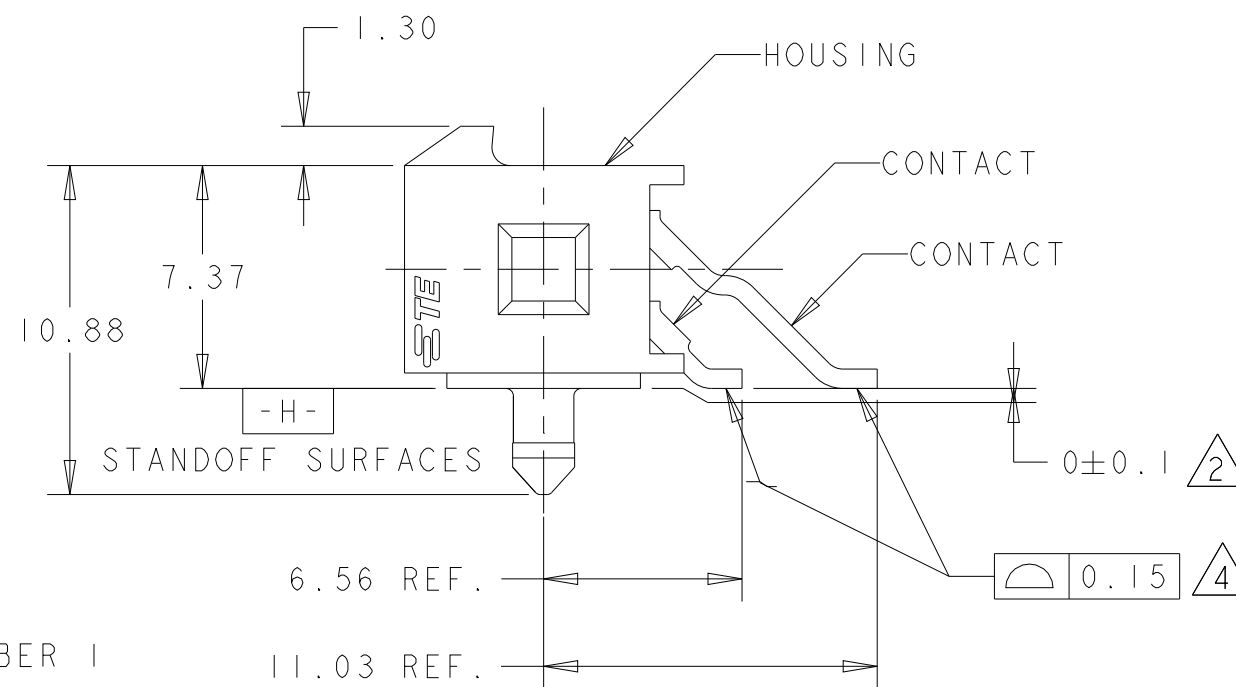
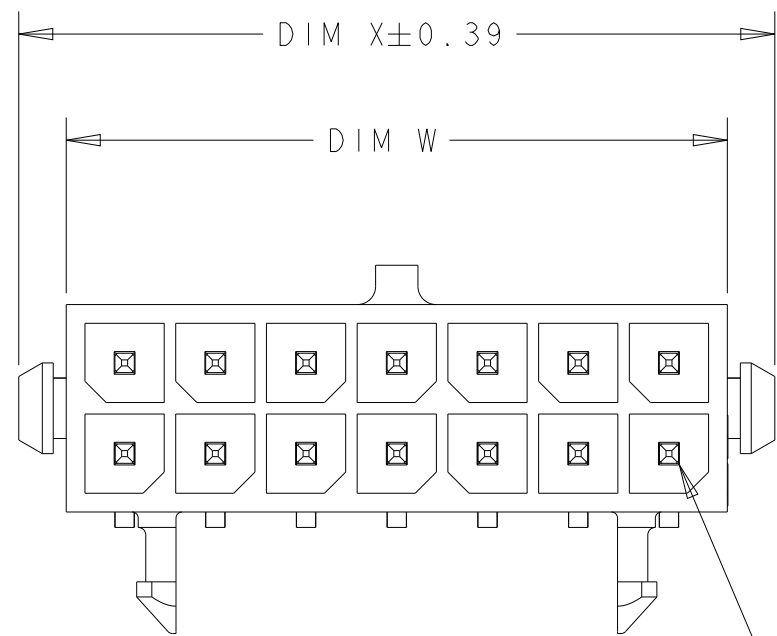


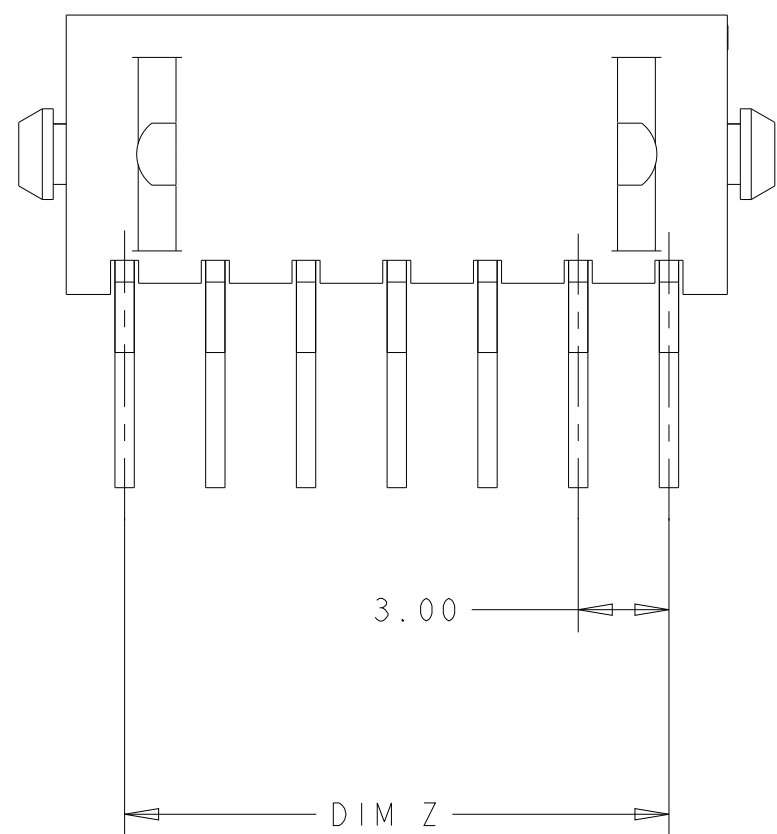
P	LTR	DESCRIPTION	DATE	DWN	APVD
G5		REVISED PER ECN-23-240910	24NOV2023	WLS	VS



CIRCUIT NUMBER 1

- 1 MATERIAL;  
HOUSING - UL 94V-0 RATED HIGH TEMP NYLON, COLOR BLACK.  
CONTACTS - BRASS.
- 2 DIMENSION APPLIES TO SOLDERTAIL SURFACES AND STANDOFF SURFACES.
- 3 RECOMMENDED PC BOARD THICKNESS OF 1.57.
- 4 ALL SOLDERTAILS.
- 5 PLATING;  
CONTACTS - 0.76µm MINIMUM GOLD ON MATING AREA  
2.54µm MINIMUM MATTE TIN ON SOLDER TAILS  
ALL OVER 1.27µm MINIMUM NICKEL.

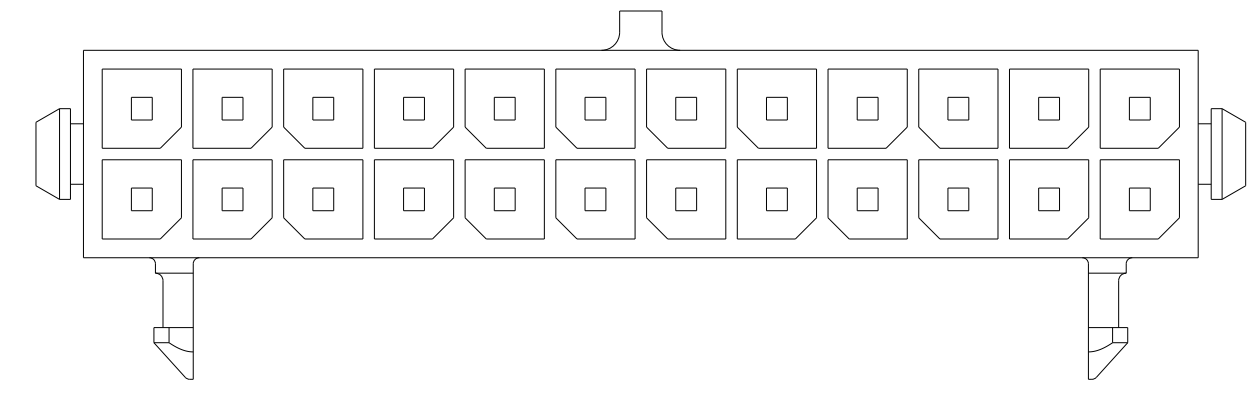
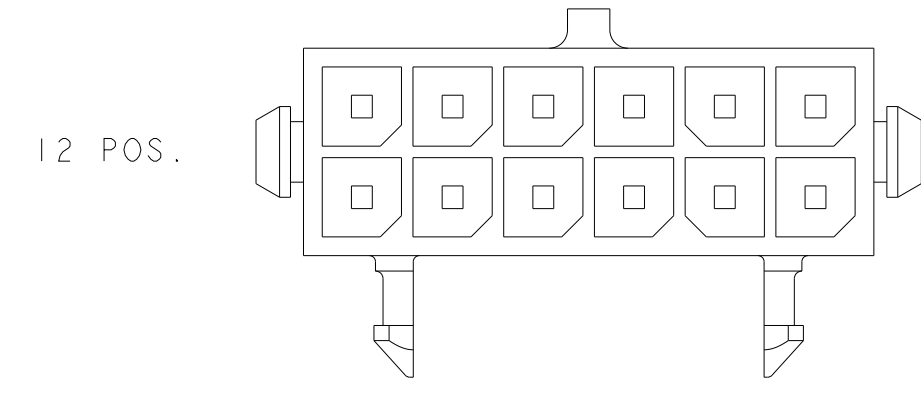
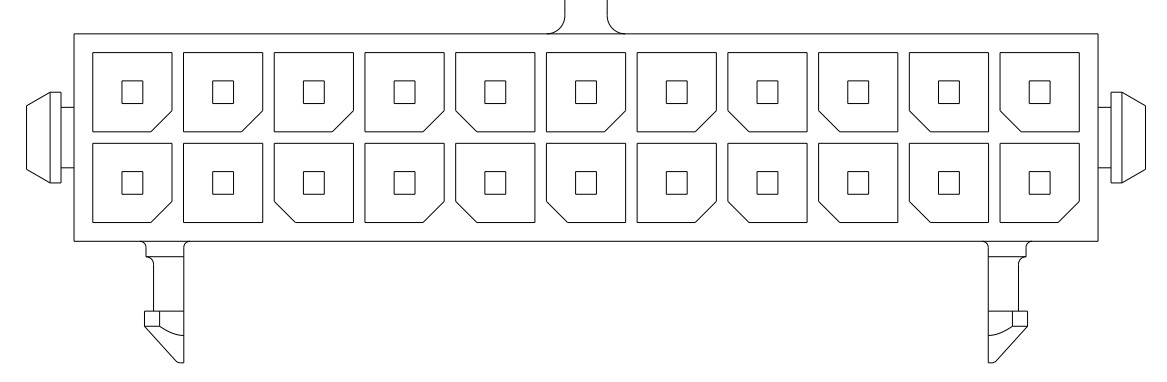
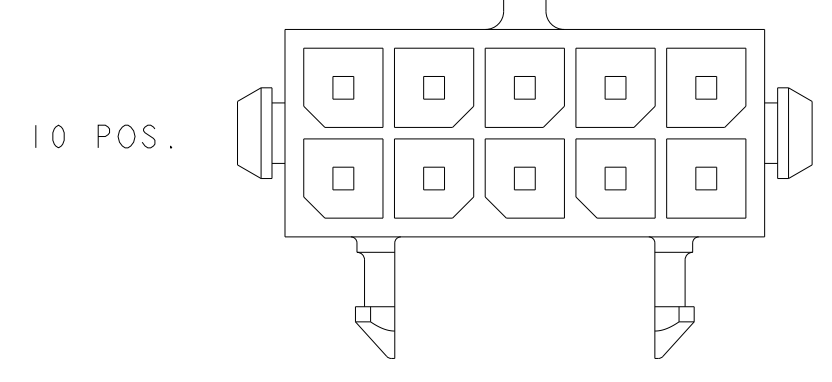
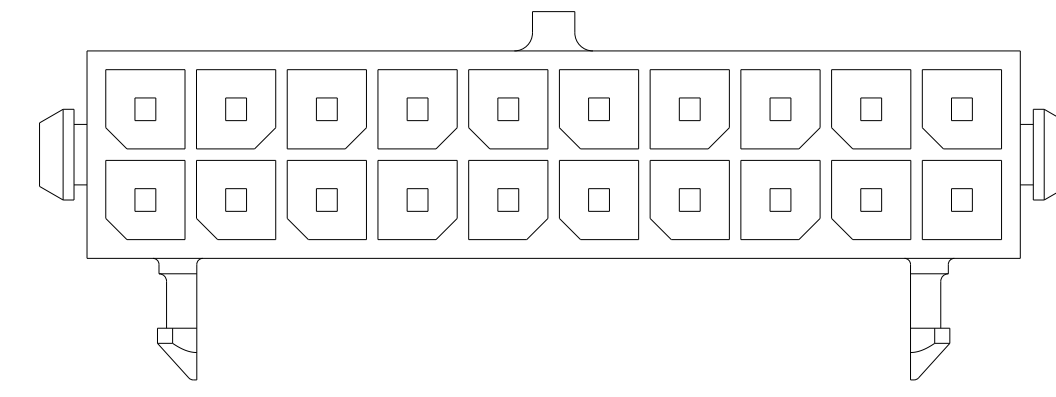
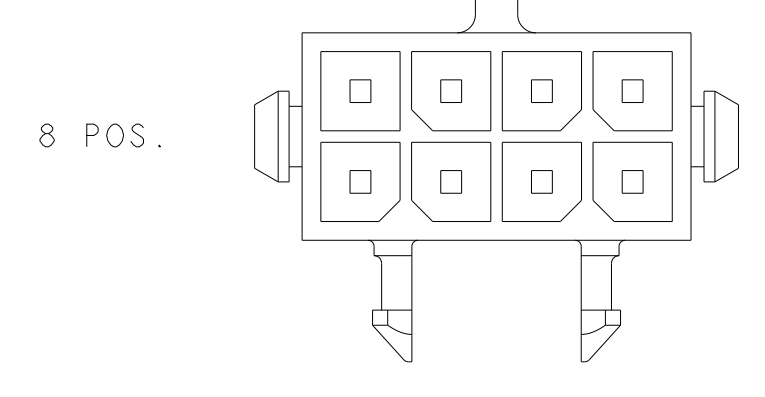
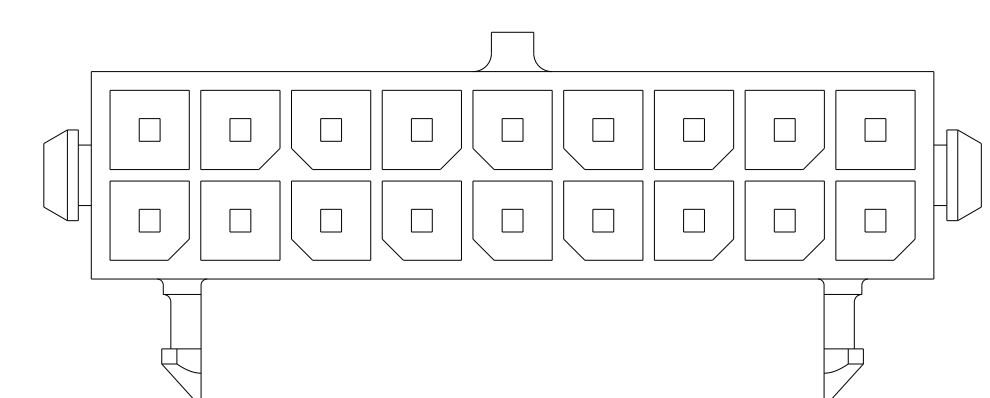
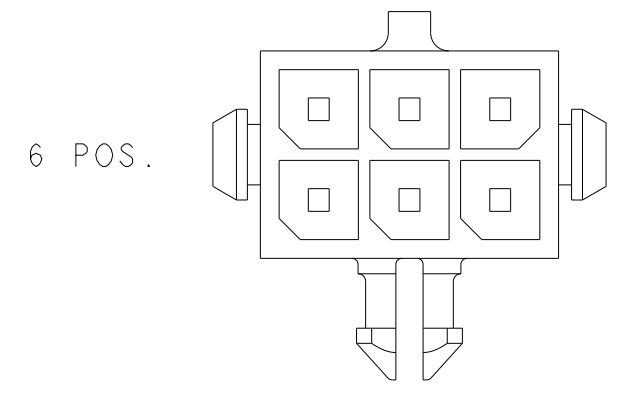
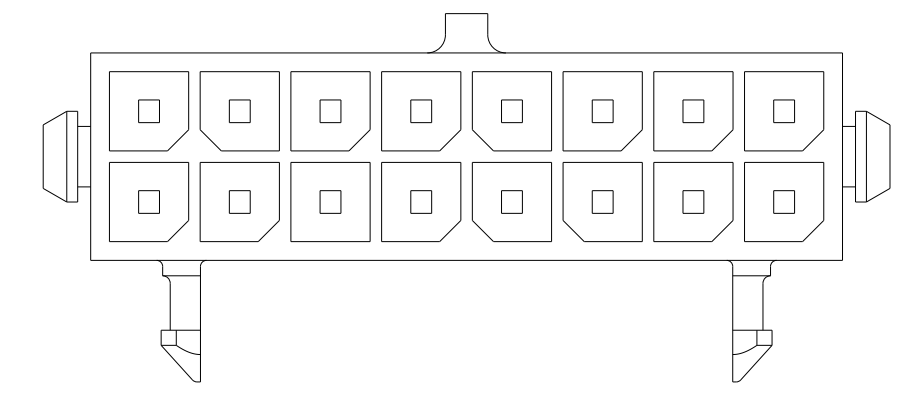
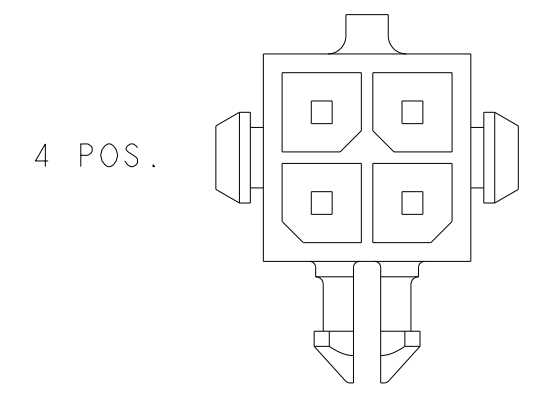
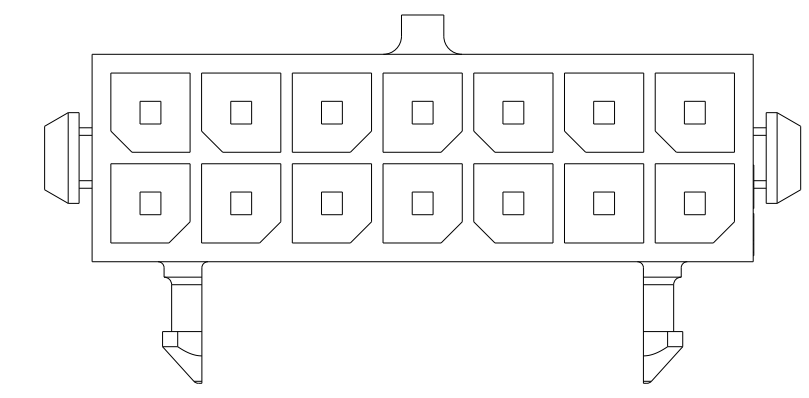
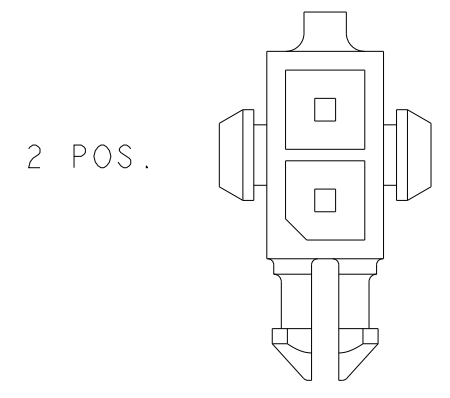
- 6 COUNTERPART RECOMMENDED IS PN 794617 (DASH ACCORDING TO NUMBER OF POSITION).
- 7 FOR REELING DIRECTION AND PACKAGING TYPE, SEE SPECIFICATION 114-13000.



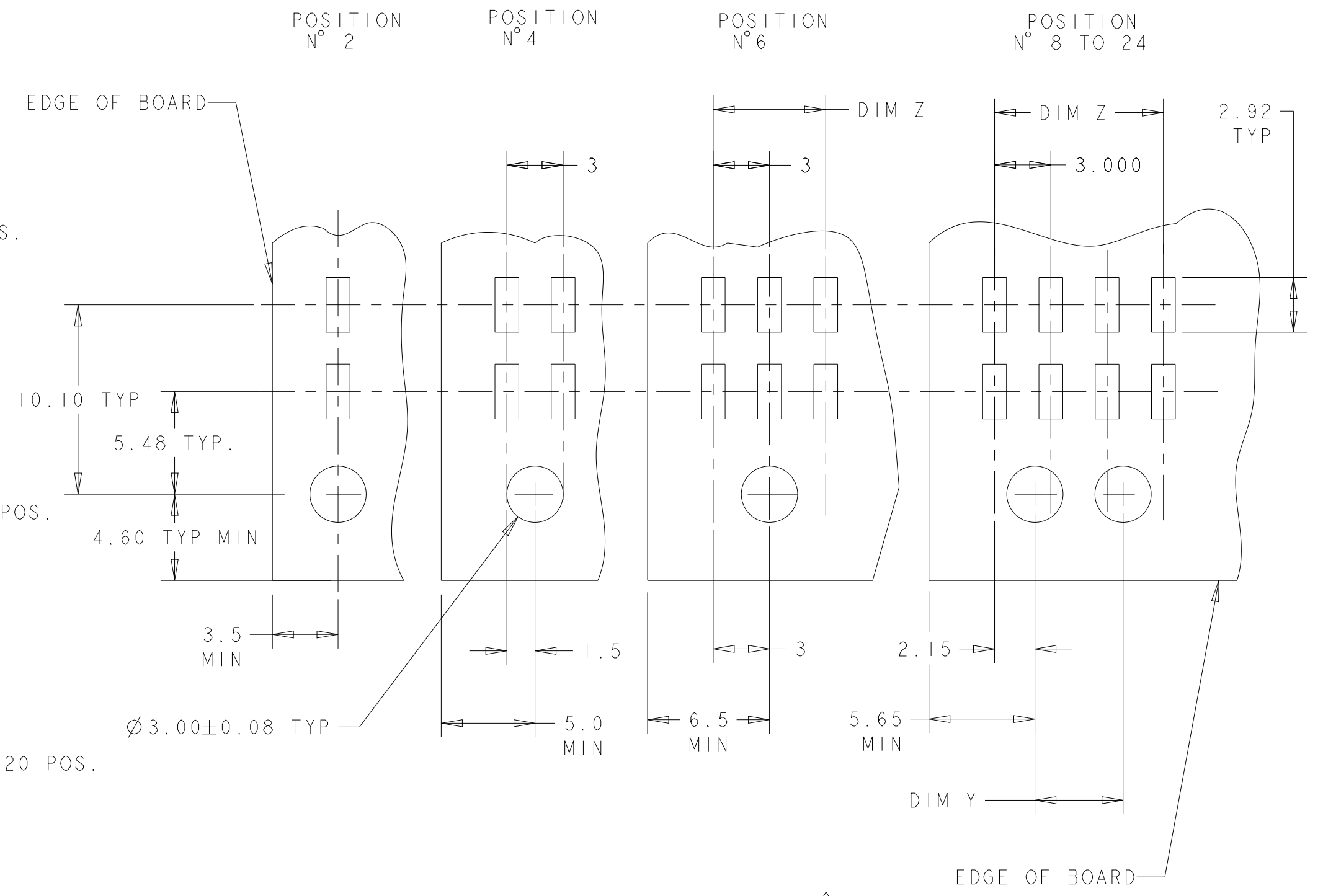
OBSOLETE	36.86	28.70	33.00	40.00	24	5-794623-4
OBSOLETE	33.86	25.70	30.00	37.00	22	5-794623-2
OBSOLETE	30.86	22.70	27.00	34.00	20	5-794623-0
OBSOLETE	27.86	19.70	24.00	31.00	18	4-794623-8
OBSOLETE	24.86	16.70	21.00	28.00	16	4-794623-6
OBSOLETE	21.86	13.70	18.00	25.00	14	4-794623-4
OBSOLETE	18.86	10.70	15.00	22.00	12	4-794623-2
	15.86	7.70	12.00	19.00	10	4-794623-0
OBSOLETE	12.86	4.70	9.00	16.00	8	3-794623-8
OBSOLETE	9.86	-	6.00	13.00	6	3-794623-6
OBSOLETE	6.86	-	3.00	10.00	4	3-794623-4
	3.86	-	-	7.00	2	3-794623-2
	DIM W	DIM Y	DIM Z	DIM X	NO. OF POSN.	PART NUMBER

THIS DRAWING IS A CONTROLLED DOCUMENT.		DWN K. WHITAKER 28-JAN-2002	TE Connectivity															
DIMENSIONS: mm		CHK C. JONES 28-JAN-2002																
TOLERANCES UNLESS OTHERWISE SPECIFIED:		APVD C. JONES 28-JAN-2002	NAME SURFACE MOUNT, R/A, 30 GOLD HEADER, PLASTIC BOARDLOCK, DUAL ROW, MICRO MATE-N-LOK															
<table border="0"> <tr> <td>0 PLC</td> <td>±</td> </tr> <tr> <td>1 PLC</td> <td>±</td> </tr> <tr> <td>2 PLC</td> <td>±0.13</td> </tr> <tr> <td>3 PLC</td> <td>±</td> </tr> <tr> <td>4 PLC</td> <td>±</td> </tr> <tr> <td>ANGLES</td> <td>±1°</td> </tr> <tr> <td>FINISH</td> <td></td> </tr> </table>		0 PLC	±	1 PLC	±	2 PLC	±0.13	3 PLC	±	4 PLC	±	ANGLES	±1°	FINISH		PRODUCT SPEC 108-1836	SIZE A2	
0 PLC	±																	
1 PLC	±																	
2 PLC	±0.13																	
3 PLC	±																	
4 PLC	±																	
ANGLES	±1°																	
FINISH																		
MATERIAL		APPLICATION SPEC 114-13000	CAGE CODE -	DRAWING NO. G-794623														
<table border="0"> <tr> <td>1</td> <td>5</td> </tr> </table>		1	5	WEIGHT -	RESTRICTED TO													
1	5																	
CUSTOMER DRAWING		SCALE 4:1	SHEET 1 OF 2	REV G5														

REVISIONS				
P	LTR	DESCRIPTION	DATE	APVD
-	-	SEE SHEET 1	-	-



KEYING BY POSITION SIZE



RECOMMENDED PCB LAYOUT (COMPONENT SIDE)

THIS DRAWING IS A CONTROLLED DOCUMENT.		DWN K. WHITAKER 28-JAN-2002	TE Connectivity
DIMENSIONS: mm		CHK C. JONES 28-JAN-2002	
TOLERANCES UNLESS OTHERWISE SPECIFIED:		APVD C. JONES 28-JAN-2002	NAME SURFACE MOUNT, R/A, 30 GOLD HEADER, PLASTIC BOARDLOCK, DUAL ROW, MICRO MATE-N-LOK
0 PLC ±	1 PLC ±	PRODUCT SPEC 108-1836	SIZE A2
2 PLC ±0.13	3 PLC ±	APPLICATION SPEC 114-13000	CAGE CODE -
4 PLC ±	ANGLES ±°	WEIGHT -	DRAWING NO G-794623
MATERIAL -	FINISH -	CUSTOMER DRAWING	RESTRICTED TO
		SCALE 4:1	SHEET 2 OF 2
			REV G5