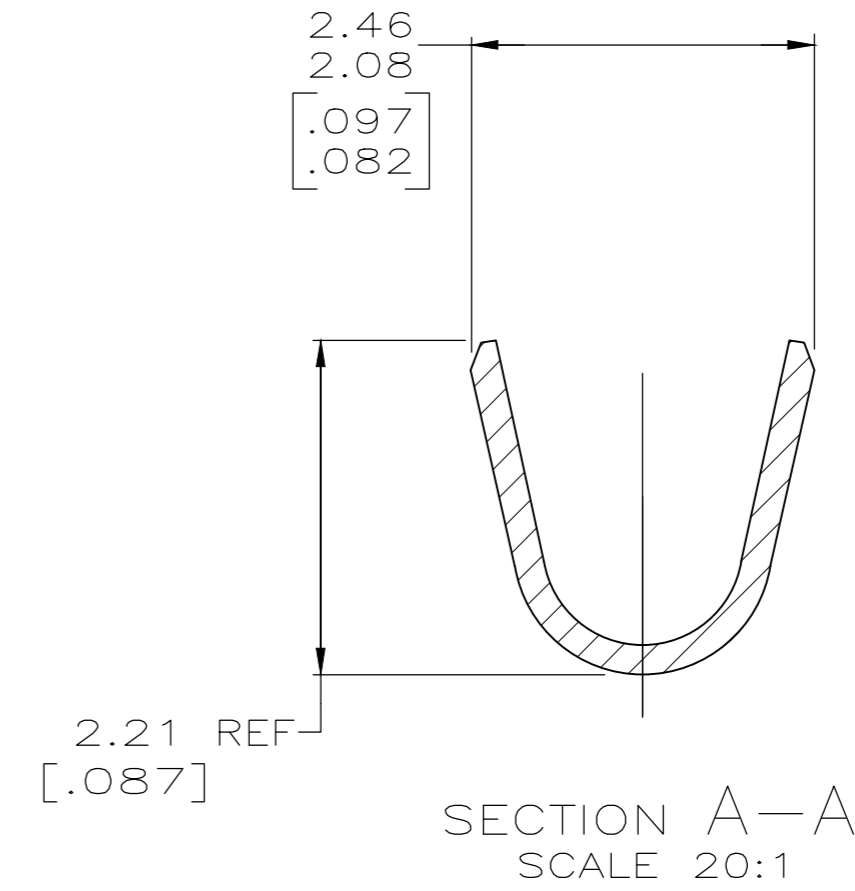
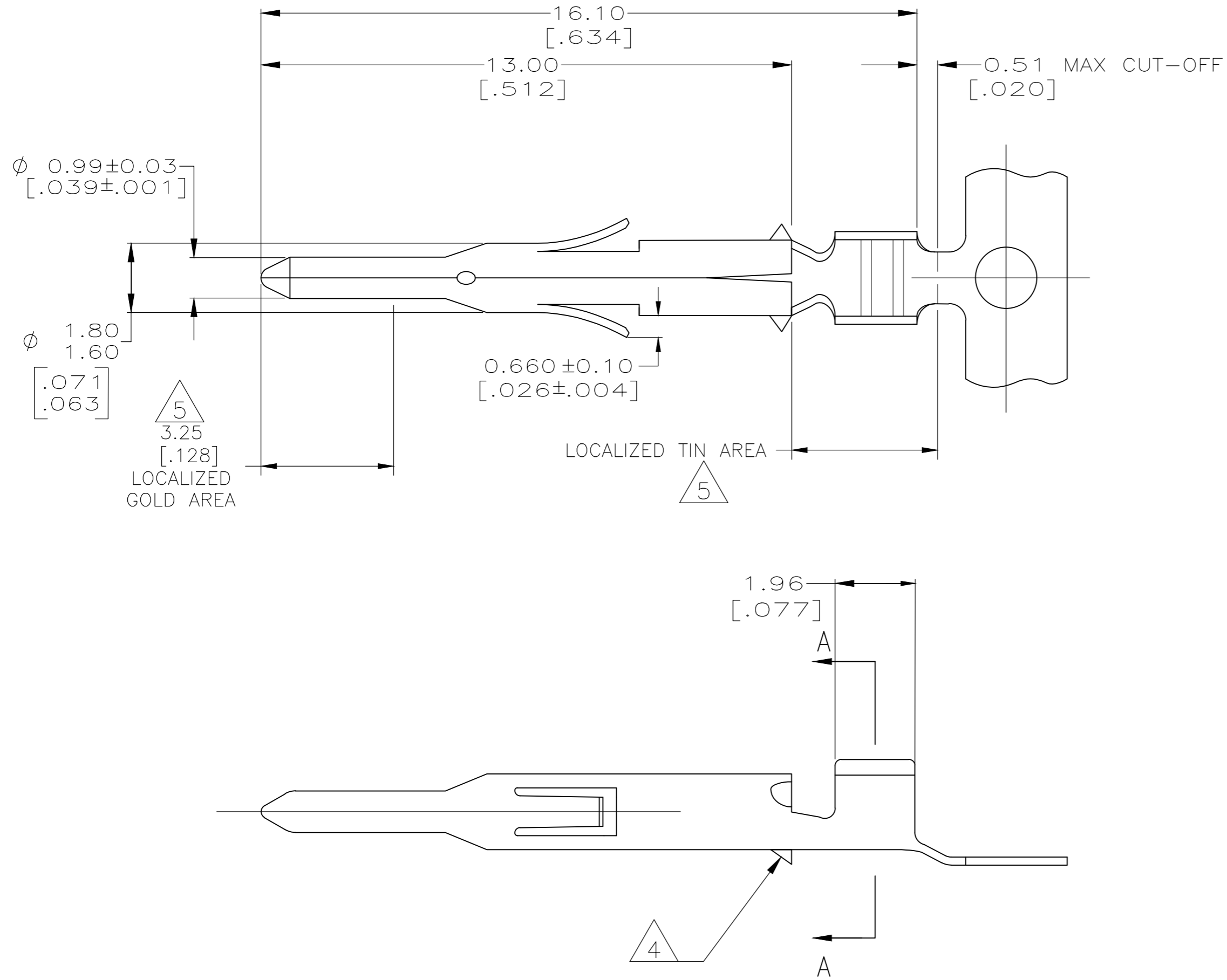


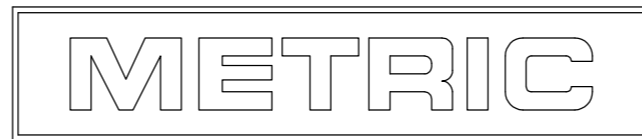
THIS DRAWING IS UNPUBLISHED. RELEASED FOR PUBLICATION
 © COPYRIGHT - By - ALL RIGHTS RESERVED.

REVISIONS				
P	LTR	DESCRIPTION	DATE	APVD
J		REVISED PER ECO-18-020039	03JAN2019	RS SG

- 1 WIRE RANGE: 0.3 - 0.9MM² (22-18 AWG).
- 2 INSULATION RANGE: 1.50-2.40[.060-.094] DIA.
- 3 DIMENSIONS IN BRACKETS ARE IN INCHES.
- 4 BOTTOM CONTACT STOP IS OPTIONAL CONSTRUCTION.
- 5 0.000762 [.000030] MIN GOLD IN LOCALIZED GOLD PLATE AREA AND 0.00254 [.000100] MIN BRIGHT TIN LOCALIZED TIN PLATE AREA OVER 0.00127 [.000050] MIN NICKEL.



5	0.20 [.008] BRASS	794440-3
NONE	0.20 [.008] BRASS	794440-2
PRE-TIN	0.20 [.008] BRASS	794440-1
FINISH	MATERIAL	PART NO



THIS DRAWING IS A CONTROLLED DOCUMENT.		DWN K. WHITAKER 20FEB2004	TE Connectivity	
DIMENSIONS: mm [INCHES]		CHK C. JONES 20FEB04		
TOLERANCES UNLESS OTHERWISE SPECIFIED:		APVD C. JONES 20FEB04	NAME PIN, UNIVERSAL MATE-N-LOK	
0 PLC ± -		PRODUCT SPEC	SIZE A2	
1 PLC ± -		APPLICATION SPEC	CAGE CODE 00779	
2 PLC ± 0.13 [.005]		WEIGHT 0.000000	DRAWING NO C=794440	
3 PLC ± -		CUSTOMER DRAWING	RESTRICTED TO -	
4 PLC ± -		SCALE 10:1	SHEET 1 of 1	
ANGLES ± 0°30'		FINISH SEE TABLE	REV J	
MATERIAL SEE TABLE				