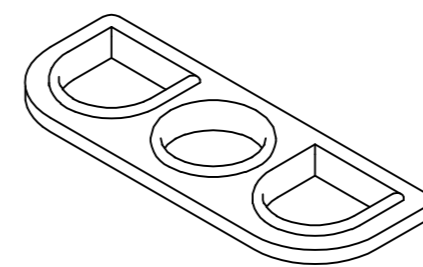
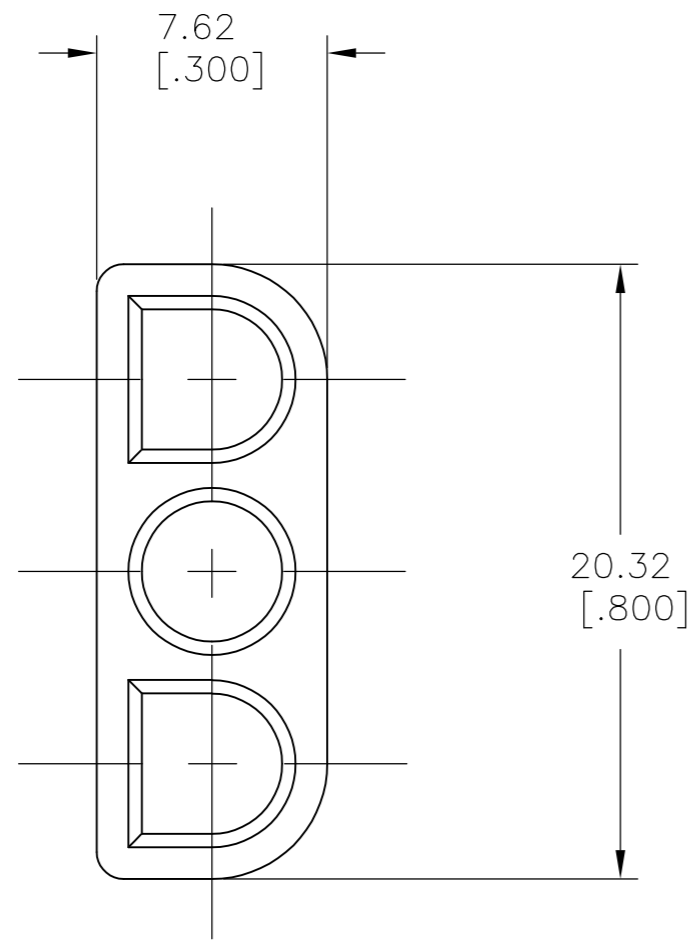


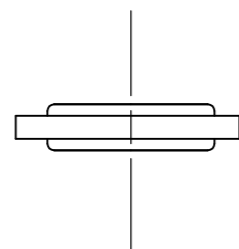
THIS DRAWING IS UNPUBLISHED. RELEASED FOR PUBLICATION
 © COPYRIGHT - By - ALL RIGHTS RESERVED.

LOC		DIST		REVISIONS			
P	LTR	DESCRIPTION		DATE	DWN	APVD	
	C	REVISED PER ECR-12-011218		08OCT12	KH	TM	

- 1 MATERIAL: SELF LUBRICATING SILICON RUBBER
COLOR: BLUE
- 2 DIMENSIONS IN BRACKETS ARE IN INCHES.



3-DIMENSIONAL MODEL NTS



794271-1
PART NUMBER

THIS DRAWING IS A CONTROLLED DOCUMENT.		DWN	B. LEWIS	3-25-97		TE Connectivity		
DIMENSIONS:		CHK	R. SWING	3-25-97		NAME		
mm [INCHES]		APVD	D. SELF	3-25-97		INTERFACE SEAL,3 CIRCUIT, UNIVERSAL MATE-N-LOK™		
TOLERANCES UNLESS OTHERWISE SPECIFIED:		PRODUCT SPEC				SIZE	CAGE CODE	DRAWING NO
0 PLC	± -	APPLICATION SPEC			A2	00779	C=794271	
1 PLC	± -	WEIGHT			RESTRICTED TO			
2 PLC	± 0.38[.015]							
3 PLC	± -							
4 PLC	± -							
ANGLES	± 0°30'							
MATERIAL	FINISH							
1	-							
CUSTOMER DRAWING				SCALE	4:1	SHEET	1 of 1	
				REV	C			