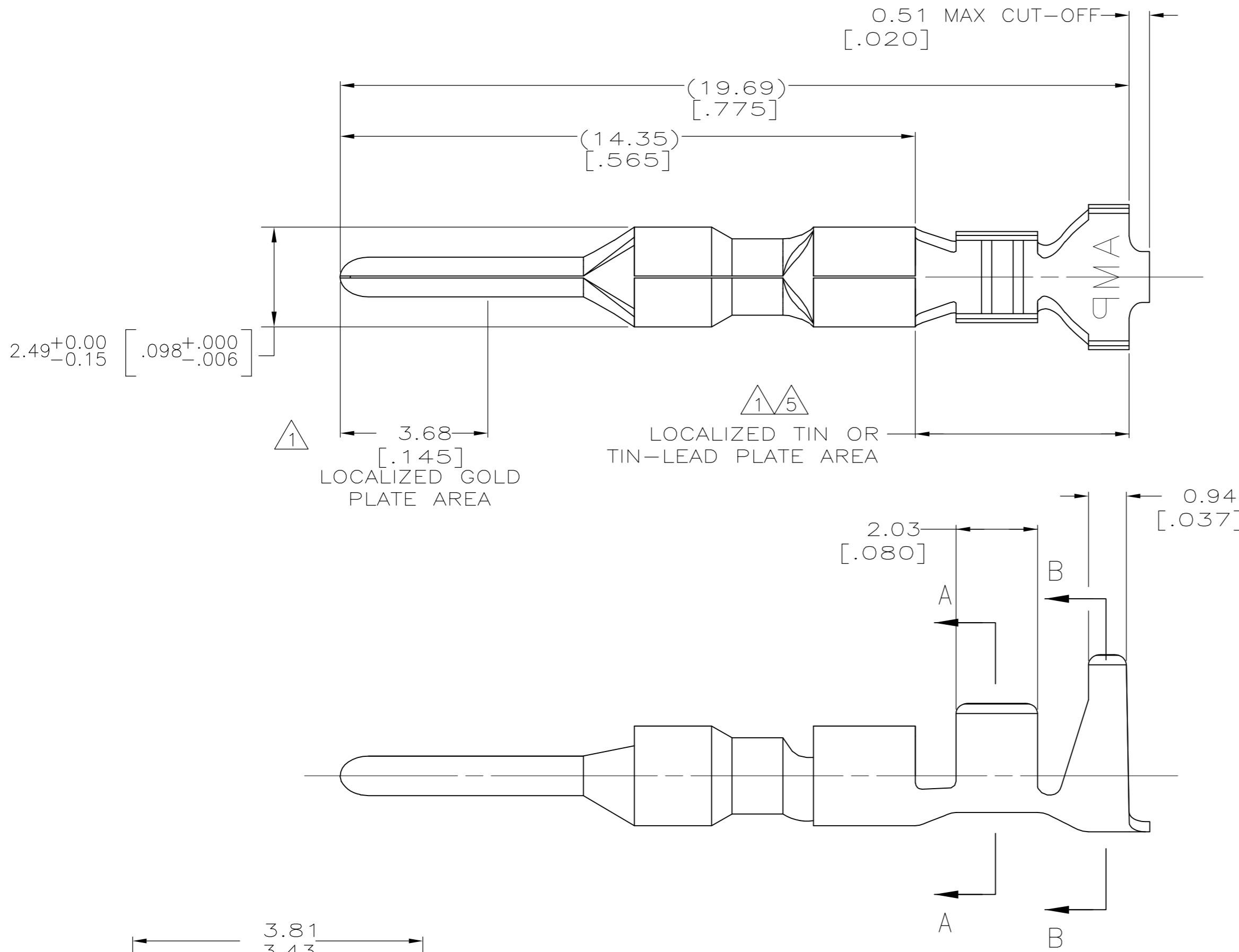
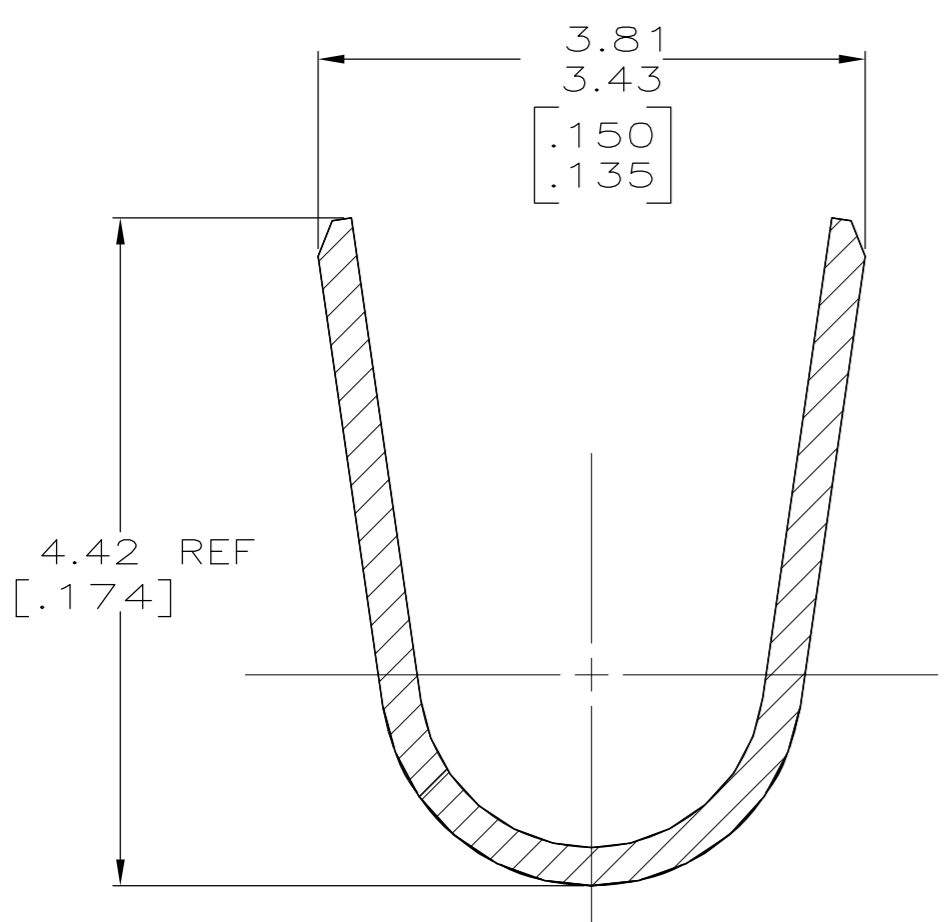
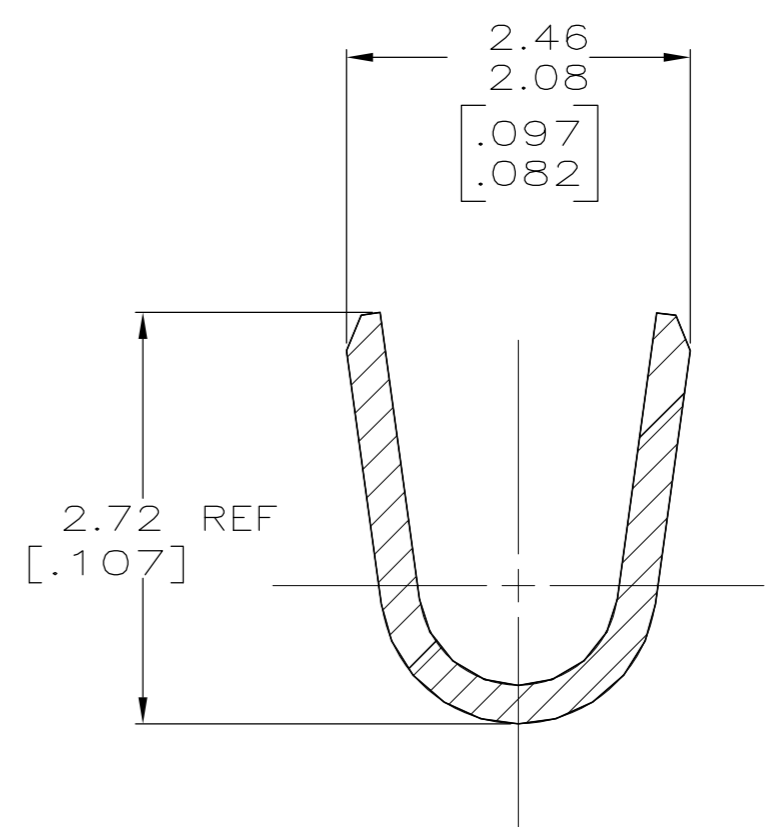


THIS DRAWING IS UNPUBLISHED. RELEASED FOR PUBLICATION
 © COPYRIGHT - By - ALL RIGHTS RESERVED.

LOC	DIST	REVISIONS			
P	LTR	DESCRIPTION	DATE	DWN	APVD
CM	00	E1	REVISED PER ECO-11-004917	11MAR11	RK HMR



- 1. 0.00076 [.000030] MIN GOLD IN LOCALIZED GOLD PLATE AREA AND 0.00254 [.000100] MIN BRIGHT TIN-LEAD IN LOCALIZED TIN-LEAD PLATE AREA OVER 0.0013 [.000050] MIN NICKEL.
- 2. WIRE RANGE: 0.3 - 0.9MM² (22-18 AWG).
- 3. INSULATION RANGE: 1.50-2.79 [.059-.110] DIA.
- 4. DIMENSIONS IN BRACKETS ARE IN INCHES.
- 5. 0.00076 [.000030] MIN GOLD IN LOCALIZED GOLD PLATE AREA AND 0.00254 [.000100] MIN BRIGHT TIN IN LOCALIZED TIN PLATE AREA OVER 0.0013 [.000050] MIN NICKEL.



FINISH	MATERIAL	PART NUMBER
GOLD 5	0.25 [.010] BRASS	1-794228-0
GOLD 1	0.25 [.010] BRASS	794228-3
PRE-TIN	0.25 [.010] BRASS	794228-1

THIS DRAWING IS A CONTROLLED DOCUMENT.

DIMENSIONS: INCHES	TOLERANCES UNLESS OTHERWISE SPECIFIED:	DWN S. CARPENTER 11AUG2003	TE Connectivity
	0 PLC ±	CHK C. JONES 11AUG2003	
	1 PLC ±	APVD C. JONES 11AUG2003	
	2 PLC ±	PRODUCT SPEC	
MATERIAL SEE TABLE	FINISH SEE TABLE	APPLICATION SPEC	NAME PIN, LOOSE PIECE, MINI UNIVERSAL MATE-N-LOK 2
		WEIGHT	SIZE A2 CAGE CODE 00779 C=794228
		CUSTOMER DRAWING	SCALE 10:1 SHEET 1 OF 1 REV E1