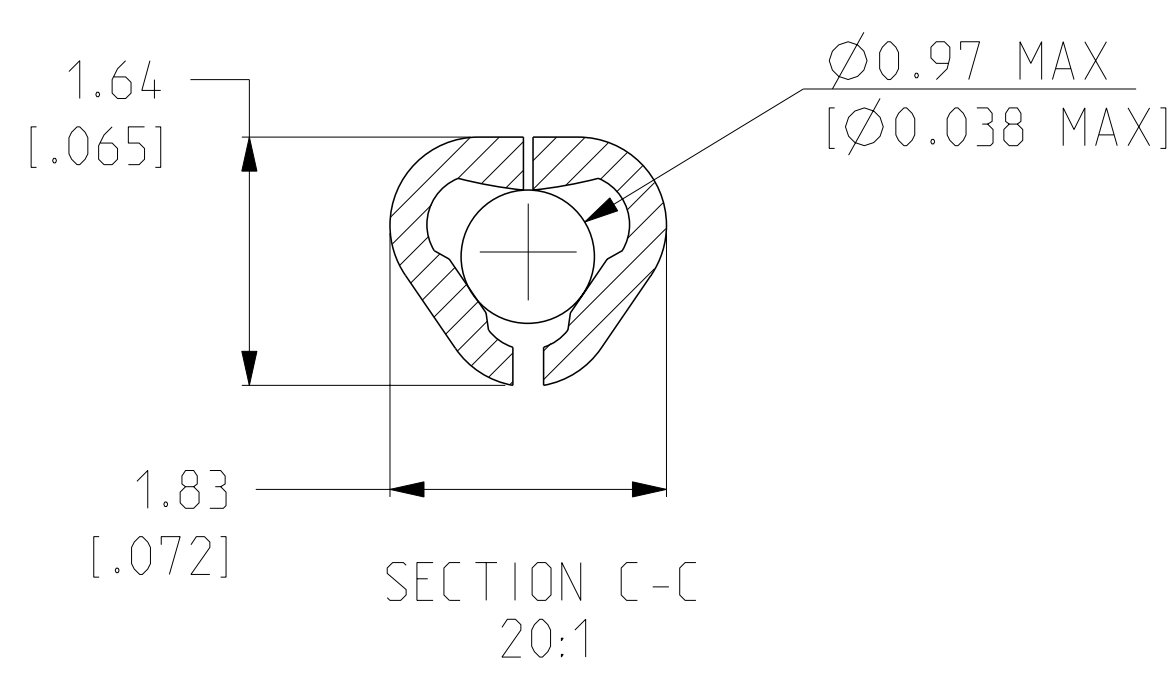
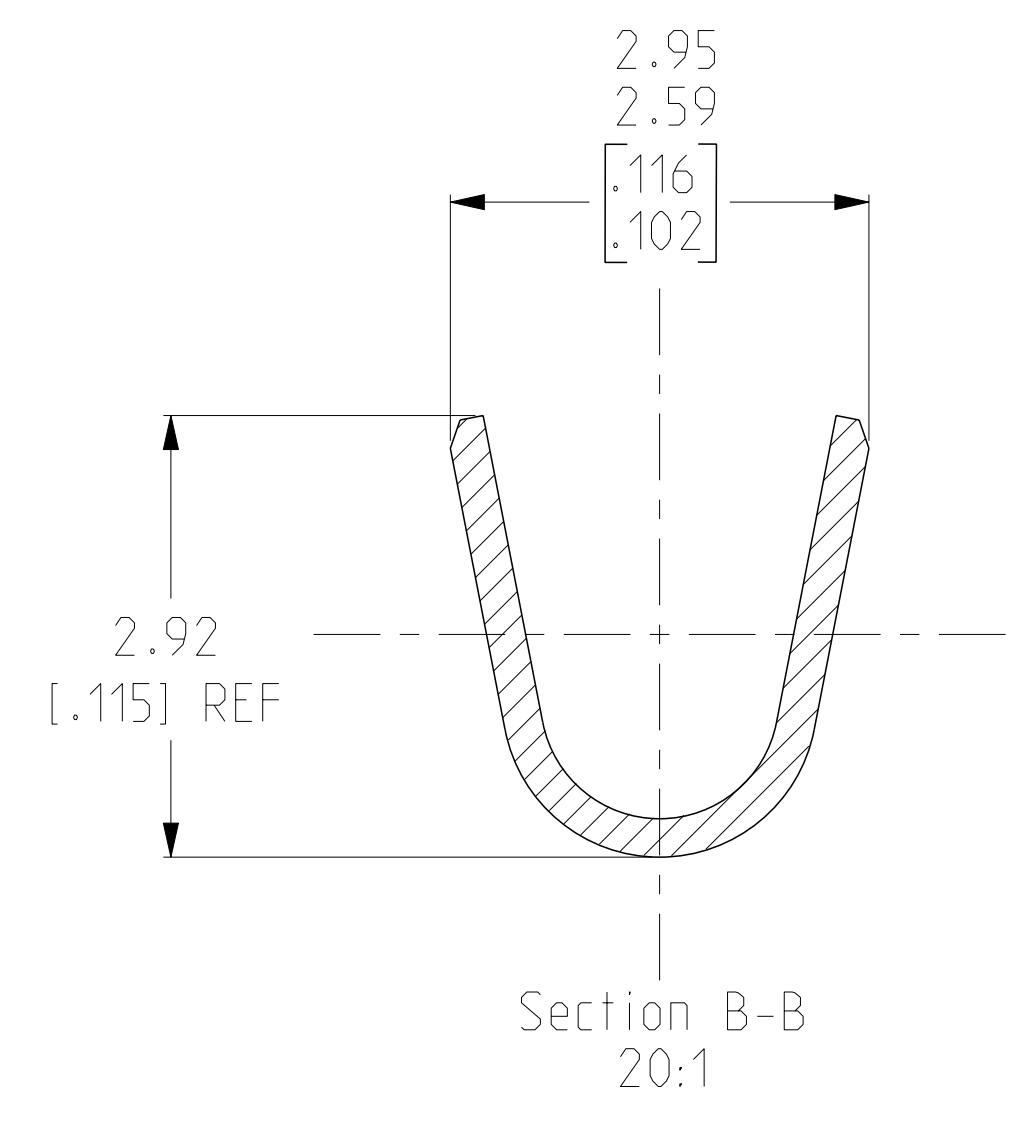
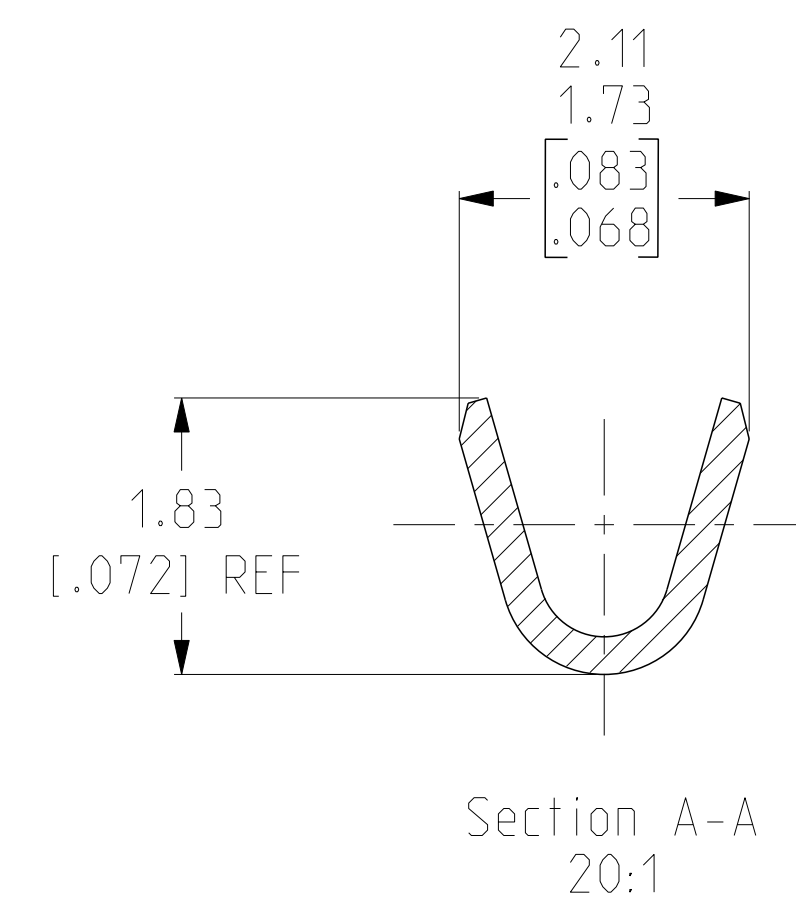
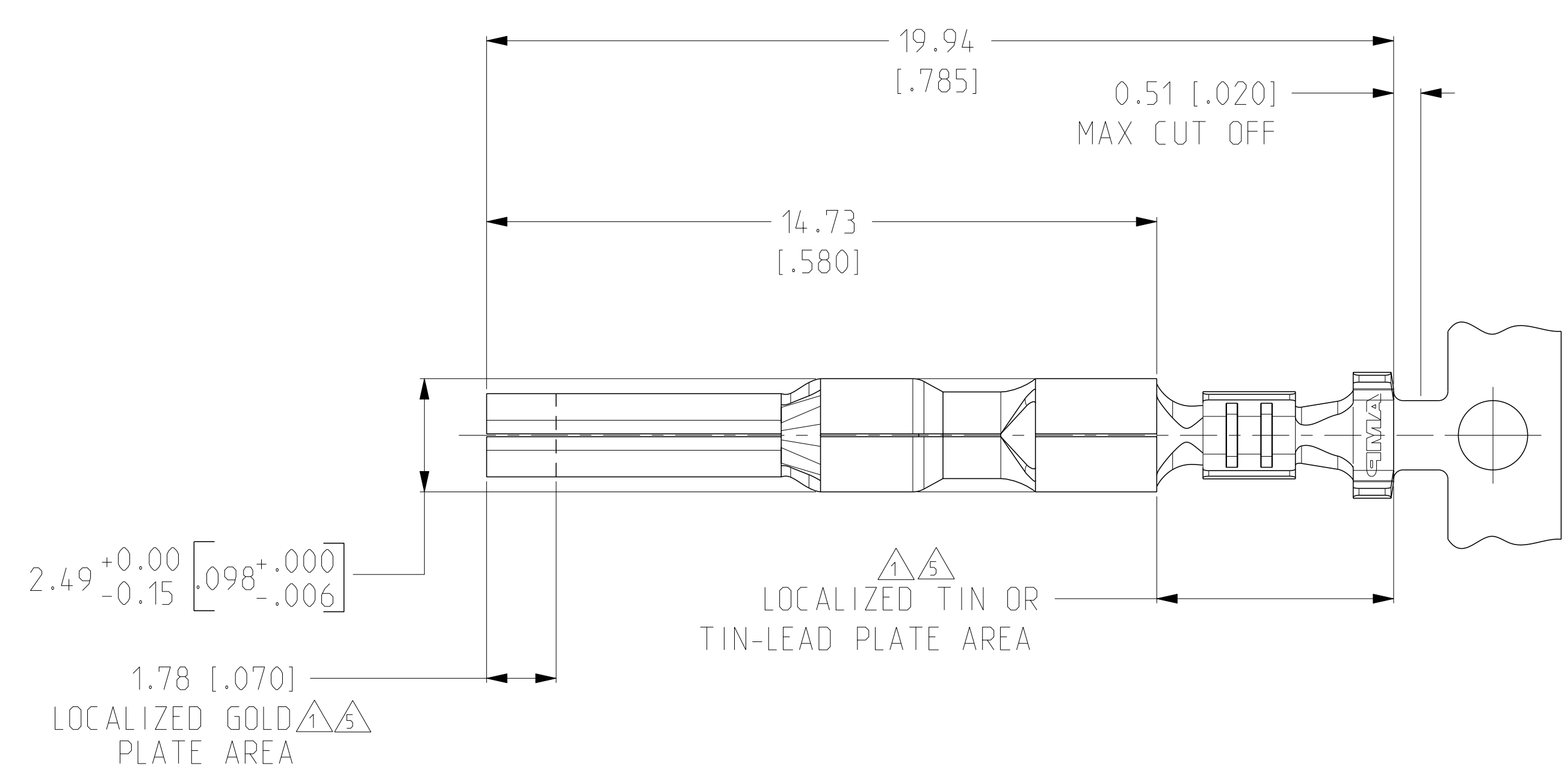
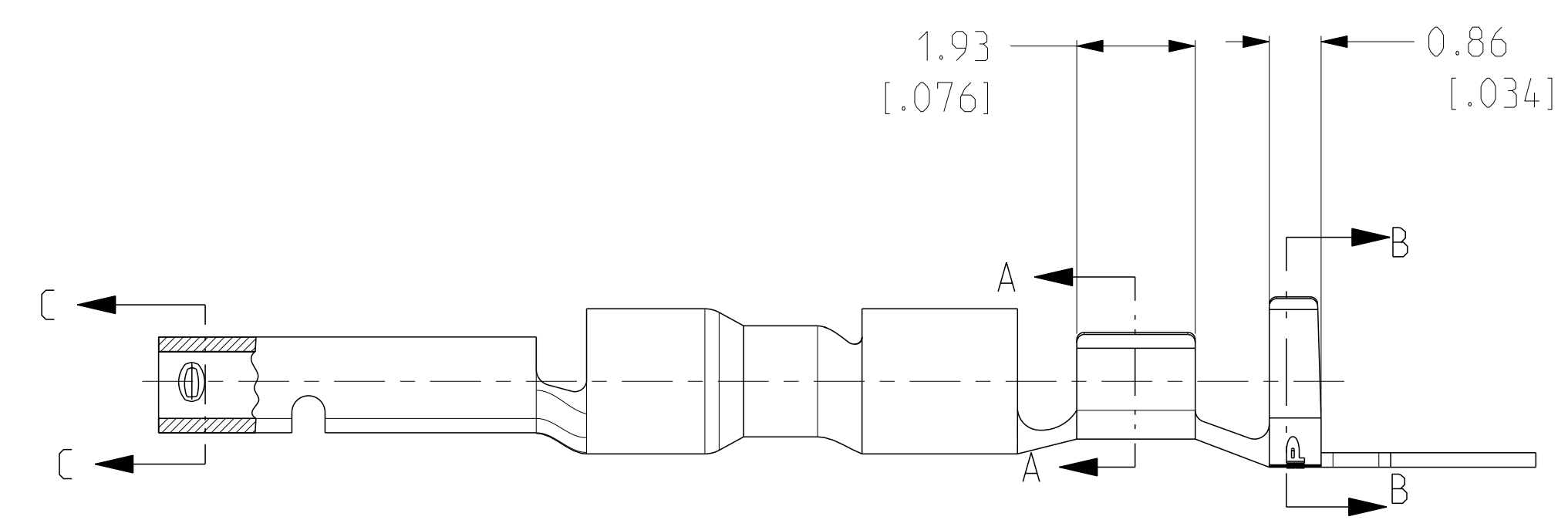


REVISIONS					
#	DATE	DESCRIPTION	DATE	OWN	APVD
H		REDRAWN PER ECR-17-012999	14NOV2018	BDA	SG
H1		REDRAWN PER ECR-20-100305	13AUG2020	PJ	VS
H2		REVISED PER ECR-23-195306	19JAN2024	MV	JP

- 1 0.00076 [.000030] MIN GOLD IN LOCALIZED GOLD PLATE AREA AND 0.00254 [.000100] MIN BRIGHT TIN-LEAD IN LOCALIZED TIN-LEAD PLATE AREA OVER 0.0013 [.000050] MIN NICKEL.
- 2 WIRE RANGE: 0.12-0.4MM² (26-22 AWG).
- 3 INSULATION RANGE: 1.19-1.75 [.047-.069] DIA.
- 4 DIMENSIONS IN BRACKETS ARE IN INCHES.
- 5 0.00076 [.000030] MIN GOLD IN LOCALIZED GOLD PLATE AREA AND 0.00254 [.000100] MIN MATTE TIN IN LOCALIZED TIN PLATE AREA OVER 0.0013 [.000050] MIN NICKEL.
- 6 ROHS COMPLIANT



6	5	0.25 [.010] BRASS	1-794219-0
	5	0.25 [.010] BRASS	794219-3
		PRE TIN	0.25 [.010] BRASS
		FINISH	MATERIAL
			PART NUMBER

THIS DRAWING IS A CONTROLLED DOCUMENT.

DIMENSIONS: mm [INCHES]	TOLERANCES UNLESS OTHERWISE SPECIFIED:	OWN: K. WHITAKER 04MAR2005 CHK: C. JONES 04MAR2005 APVD: C. JONES 04MAR2005	NAME: SOCKET, MINI UNIVERSAL MATE-N-LOK™2
	0 PLC ± 1 PLC ± 2 PLC ± 3 PLC ±0.30 [.012] 4 PLC ±	APPLICATION SPEC	SIZE: A1
MATERIAL: SEE TABLE	FINISH: SEE TABLE	WEIGHT: -	CAGE CODE: 00779
		CUSTOMER DRAWING	SCALE: 5:1

TE Connectivity

4805 (3/13)