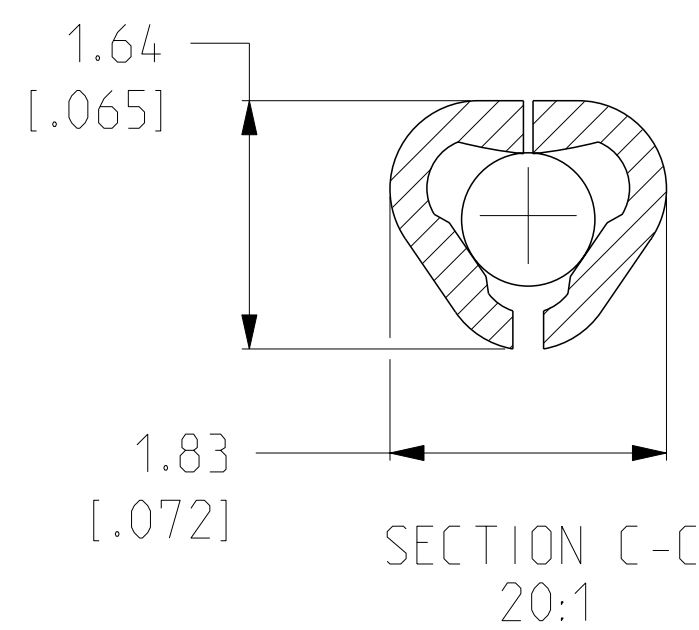
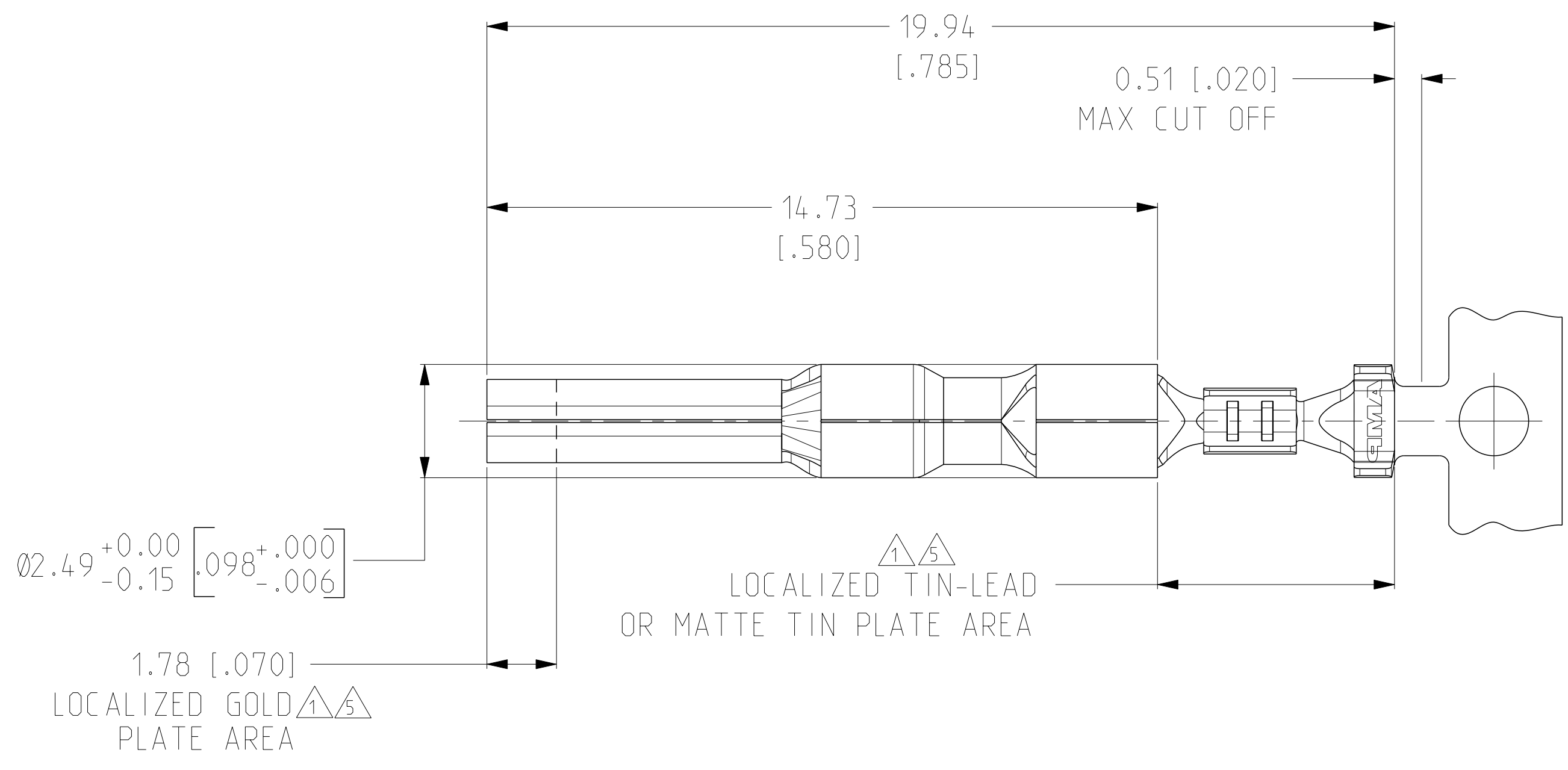
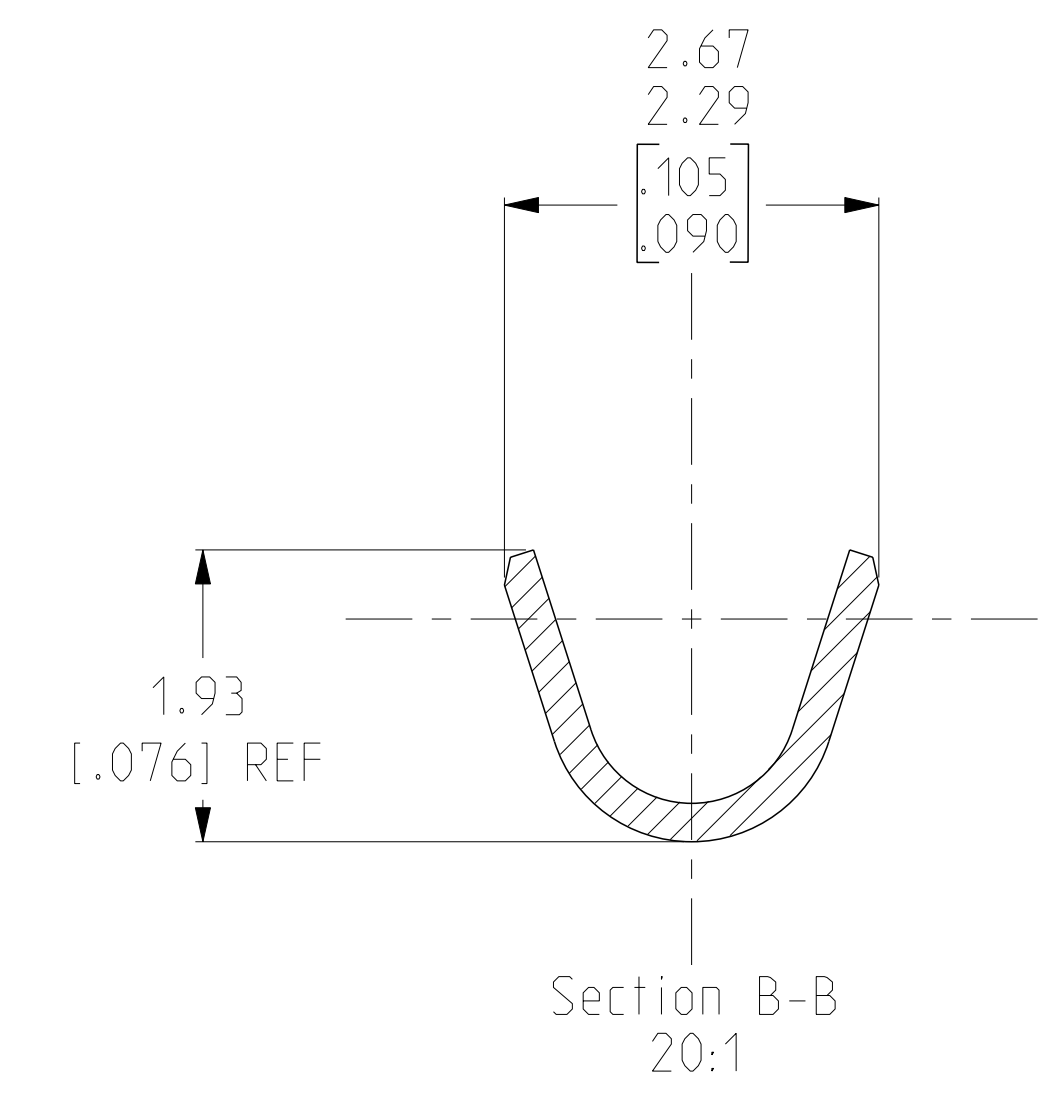
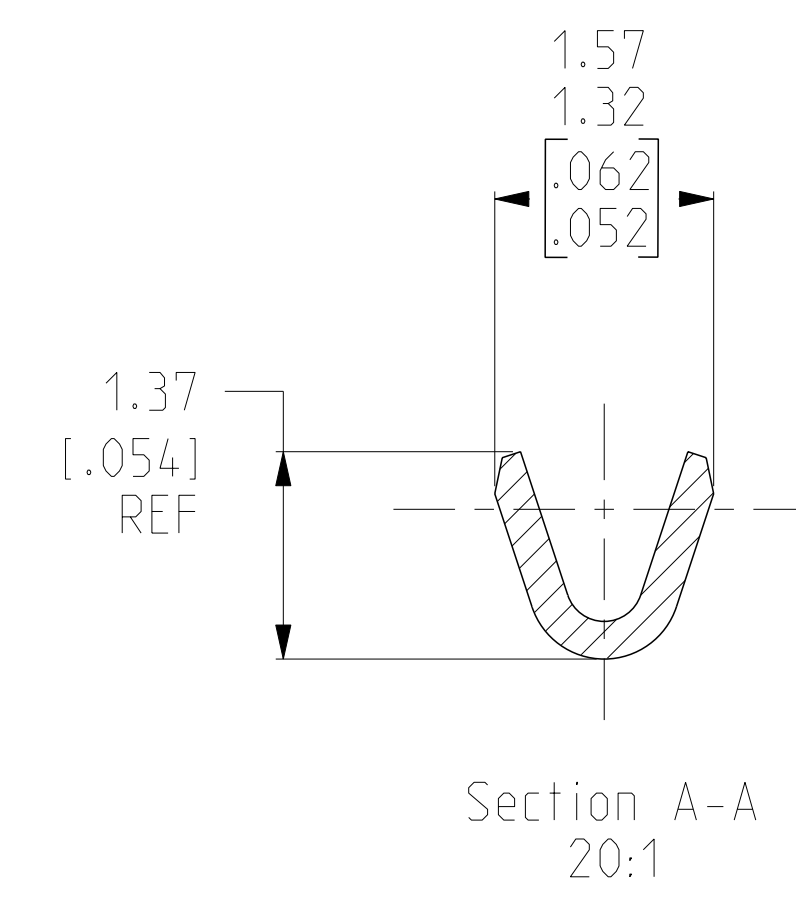
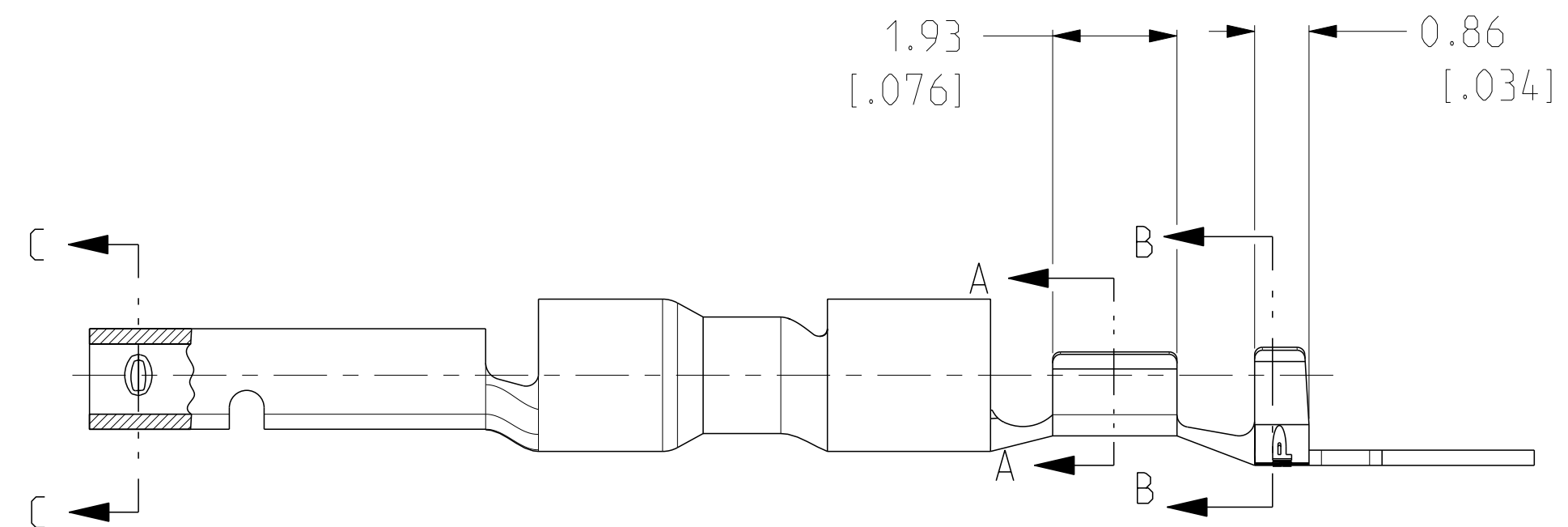


REVISIONS				
#	DATE	DESCRIPTION	OWN	APVD
H	14NOV2018	REDRAWN PER ECR-17-012999	BDA	SG
H1	07OCT2020	REVISED PER ECR-20-100491	PC	SW
H2	19JAN2024	REVISED PER ECR-23-195306	MV	JP

- 1 0.00076 [.000030] MIN GOLD IN LOCALIZED GOLD PLATE AREA AND 0.00254 [.000100] MIN BRIGHT TIN-LEAD IN LOCALIZED TIN-LEAD PLATE AREA OVER 0.0013 [.000050] MIN NICKEL.
- 2 WIRE RANGE: 0.05-0.15MM²(30-26 AWG).
- 3 INSULATION RANGE: 0.89-1.27[.035-.050] DIA.
- 4 DIMENSIONS IN BRACKETS ARE IN INCHES.
- 5 0.00076 [.000030] MIN GOLD IN LOCALIZED GOLD PLATE AREA AND 0.00254 [.000100] MIN MATTE TIN IN LOCALIZED TIN PLATE AREA OVER 0.0013 [.000050] MIN NICKEL.



5	0.25[.010] BRASS	1-794217-0
1	0.25[.010] BRASS	794217-3
PRE TIN	0.25[.010] BRASS	794217-1
FINISH	MATERIAL	PART NUMBER

THIS DRAWING IS A CONTROLLED DOCUMENT.		OWN R. VESTAL 1-15-97	 TE Connectivity
DIMENSIONS: mm[INCHES]		CHK R. SWING 1-15-97	
TOLERANCES UNLESS OTHERWISE SPECIFIED:		APVD D. SWING	NAME SOCKET, MINI UNIVERSAL MATE-N-LOK™2
0 PLC ±	1 PLC ±	PRODUCT SPEC	SIZE
2 PLC ±	3 PLC ±	APPLICATION SPEC	CAGE CODE
4 PLC ±	ANGLES *	WEIGHT	DRAWING NO. 00779
MATERIAL SEE TABLE	FINISH SEE TABLE	CUSTOMER DRAWING	RESTRICTED TO
		SCALE 5:1	SHEET 1 OF 1
		REV H2	