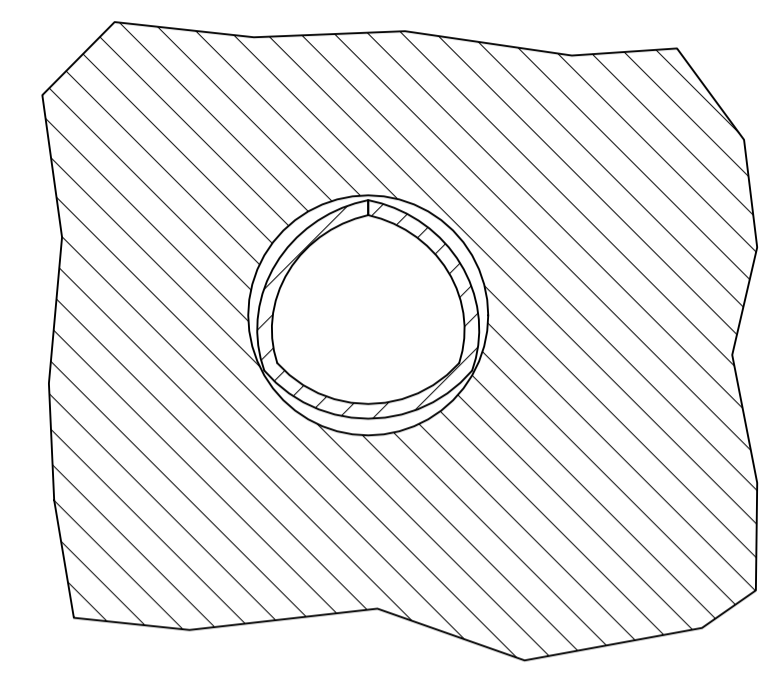
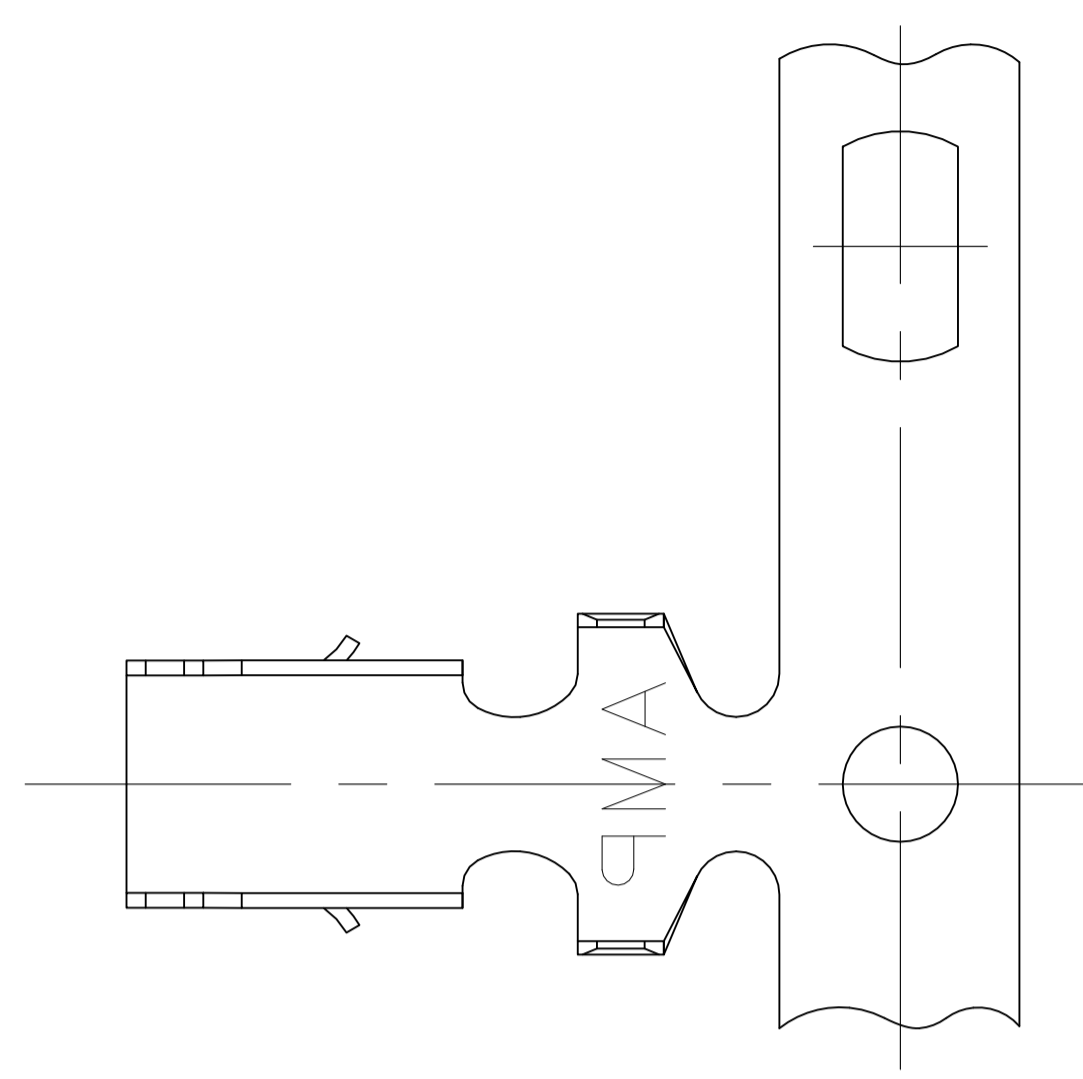
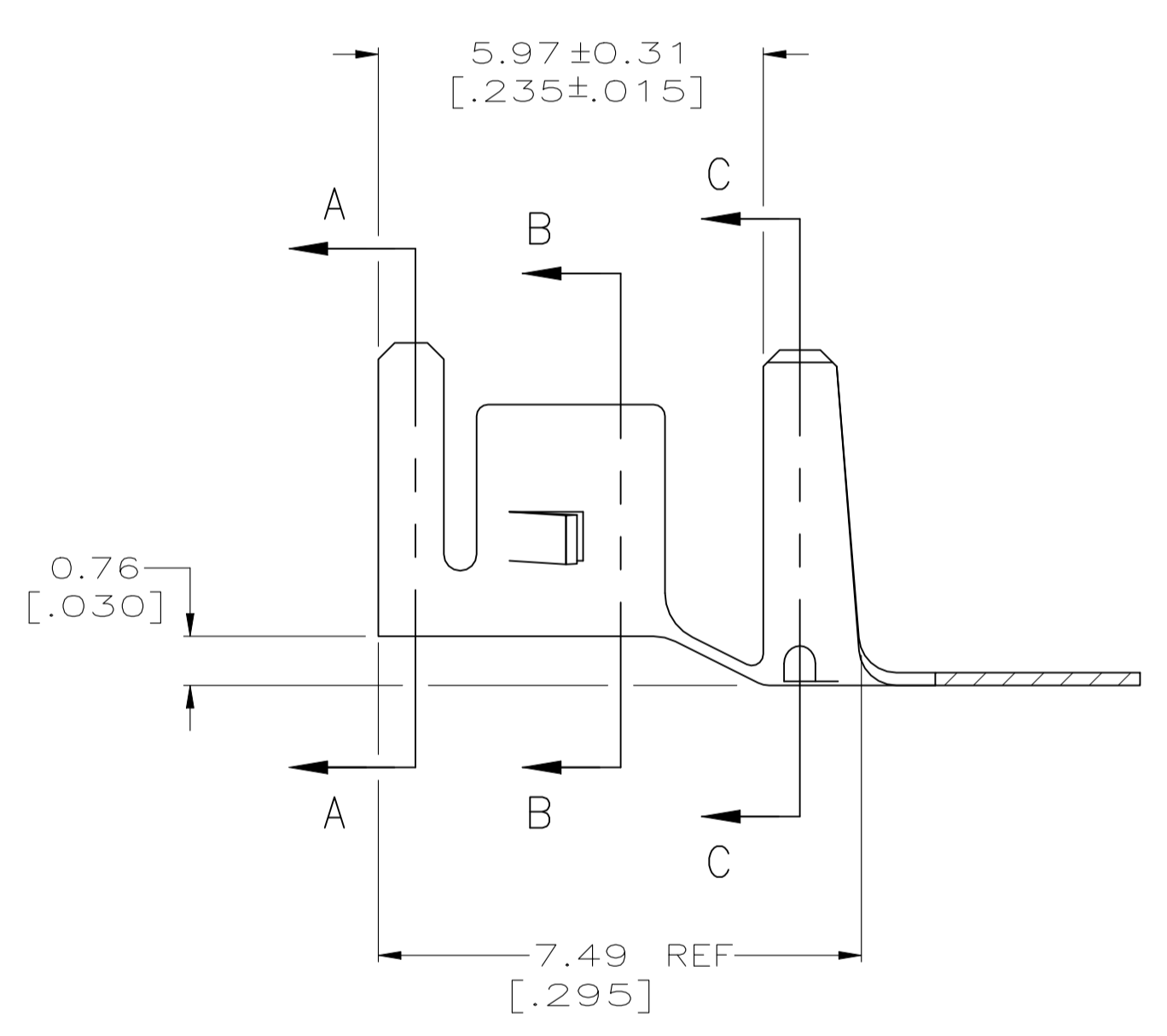


REVISIONS				
P	LTR	DESCRIPTION	DATE	BY
B3		REVISED PER ECR-22-158024	21NOV2022	SK

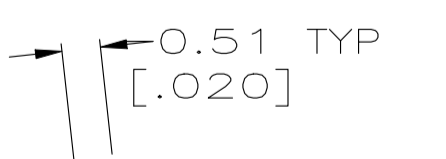
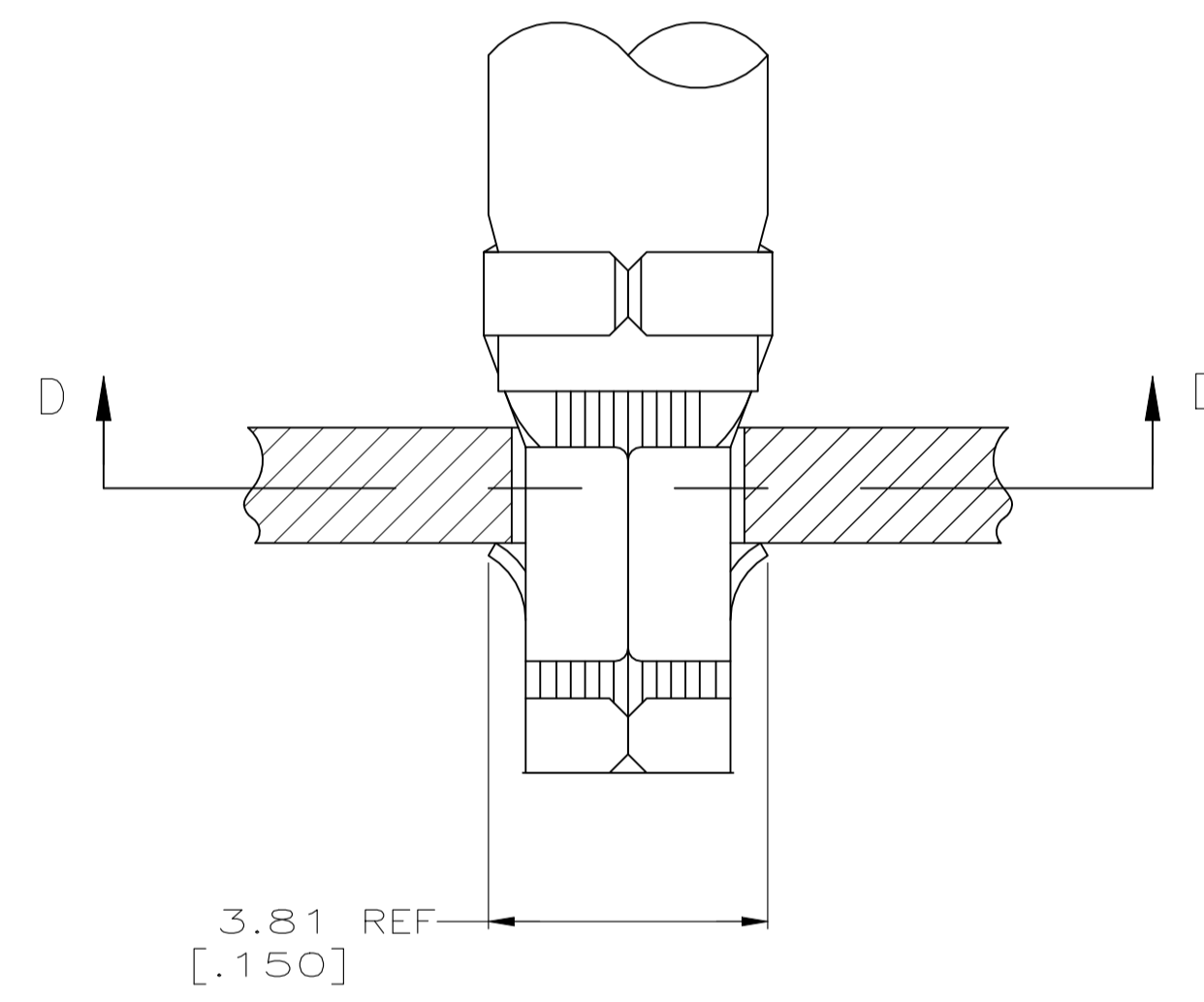
- 1 PARTS COMPLY WITH AMP SOLDERABILITY SPEC 109-11-5.
- ② 0.00508 [.000200] MIN BRIGHT TIN-LEAD.
- 3 WIRE RANGE: 3 mm² (12 AWG).
- 4 INSULATION RANGE: 2.29 - 3.81 [.090 - .150] DIA.
- 5 DIMENSIONS IN BRACKETS ARE IN INCHES.
- ⑥ 0.00508 [.000200] MIN BRIGHT TIN.
- ⑦ 0.00508 [.000200] MIN MATTE TIN.



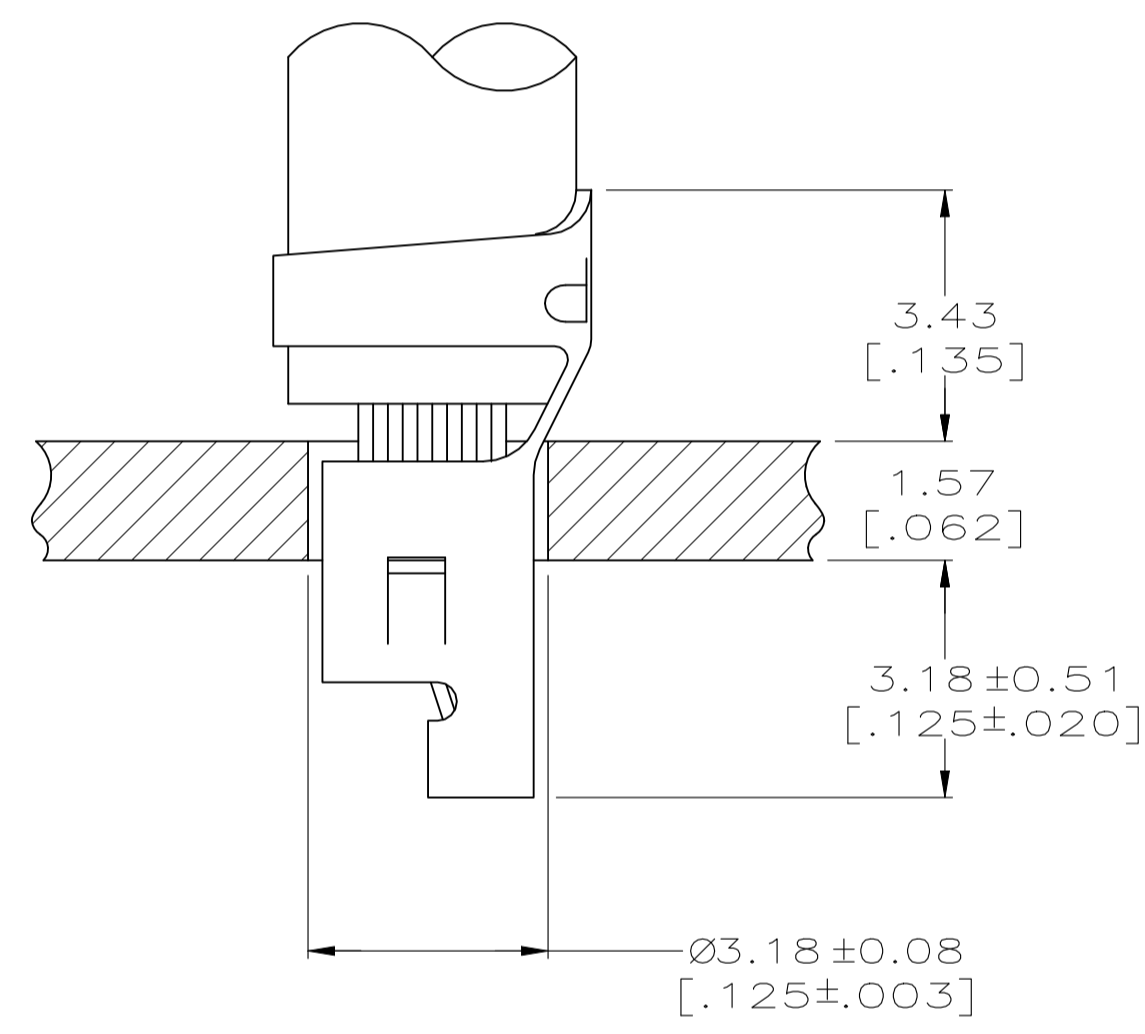
SECTION D-D



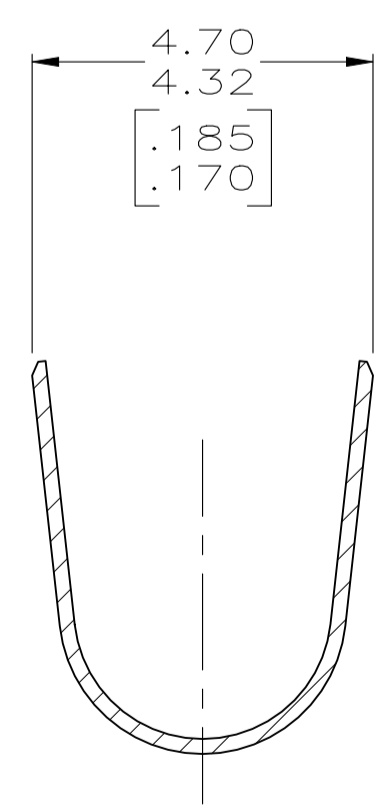
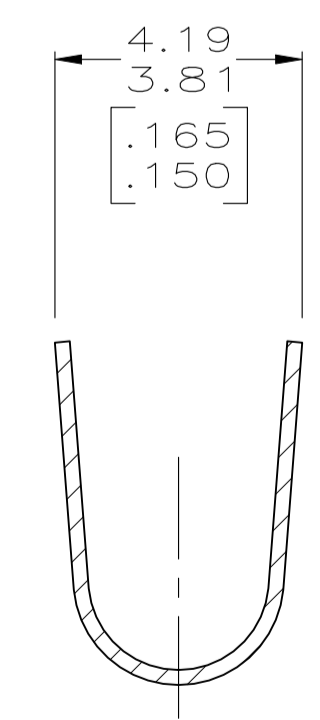
SECTION A-A



SECTION B-B



SECTION C-C



⑦	4-794013-1
⑥	3-794013-1
②	794013-1
FINISH	PART NO.

SUPERSEDED BY 3-794013-1

THIS DRAWING IS A CONTROLLED DOCUMENT.		DIN S. CARPENTER 21AUG2003		TE Connectivity	
DIMENSIONS: INCHES		CHK: J. ELLIS 21AUG2003			
TOLERANCES UNLESS OTHERWISE SPECIFIED:		APVD: J. ELLIS 21AUG2003		NAME: TERMINAL, AMP-IN	
0. PLC	±	PRODUCT SPEC		APPLICATION SPEC	
1. PLC	±	114-1016		SIZE: 114-1016	
2. PLC	± 0.13 [.005]	WEIGHT: 0.000000		SCALE: 10:1	
3. PLC	±	MATERIAL: 0.198 [.0078] PH BRZ		SHEET 1 of 1	
4. PLC	±	FINISH		REV B3	
MATERIAL: 0.198 [.0078] PH BRZ		FINISH		CUSTOMER DRAWING	

METRIC