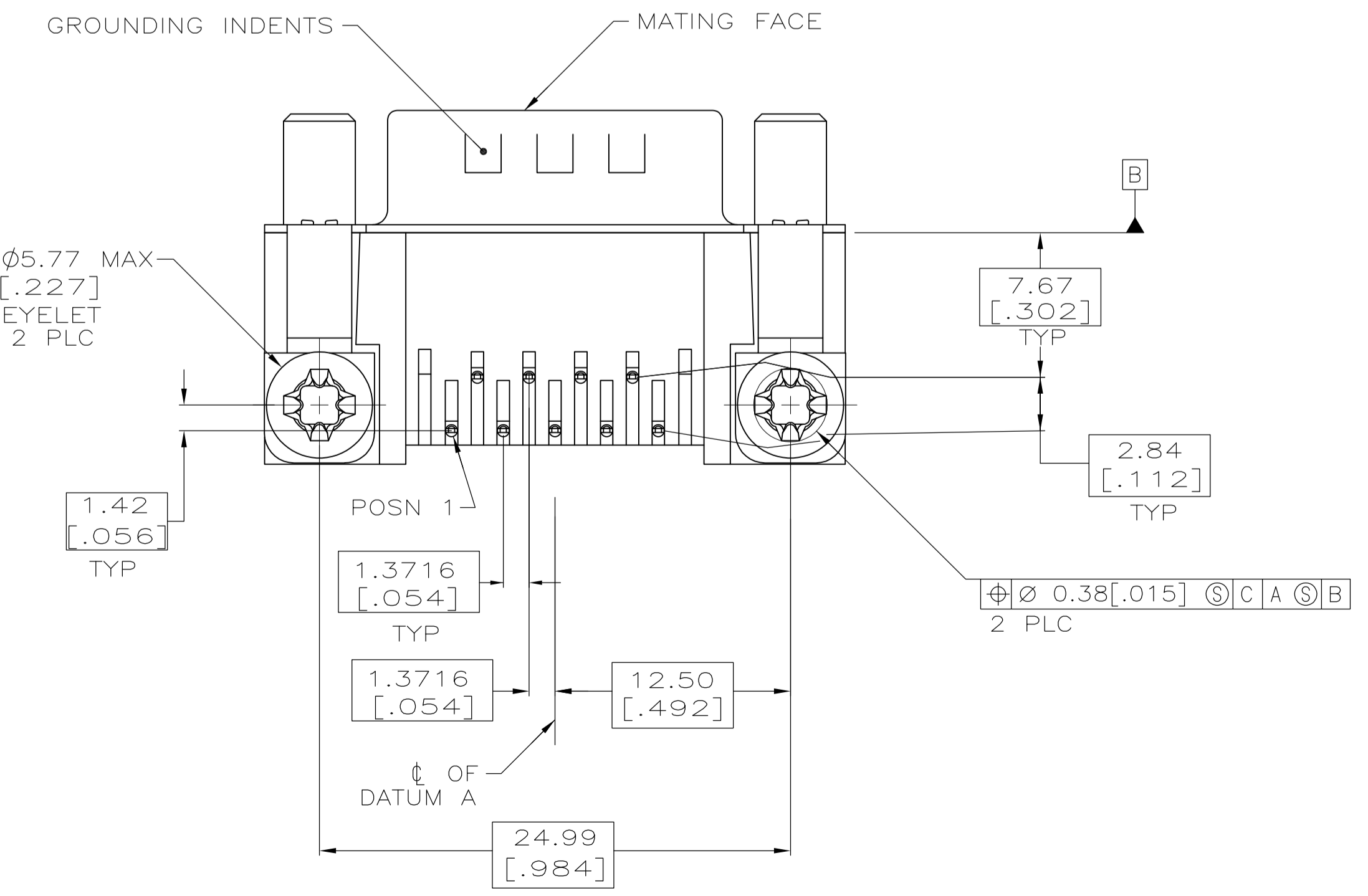
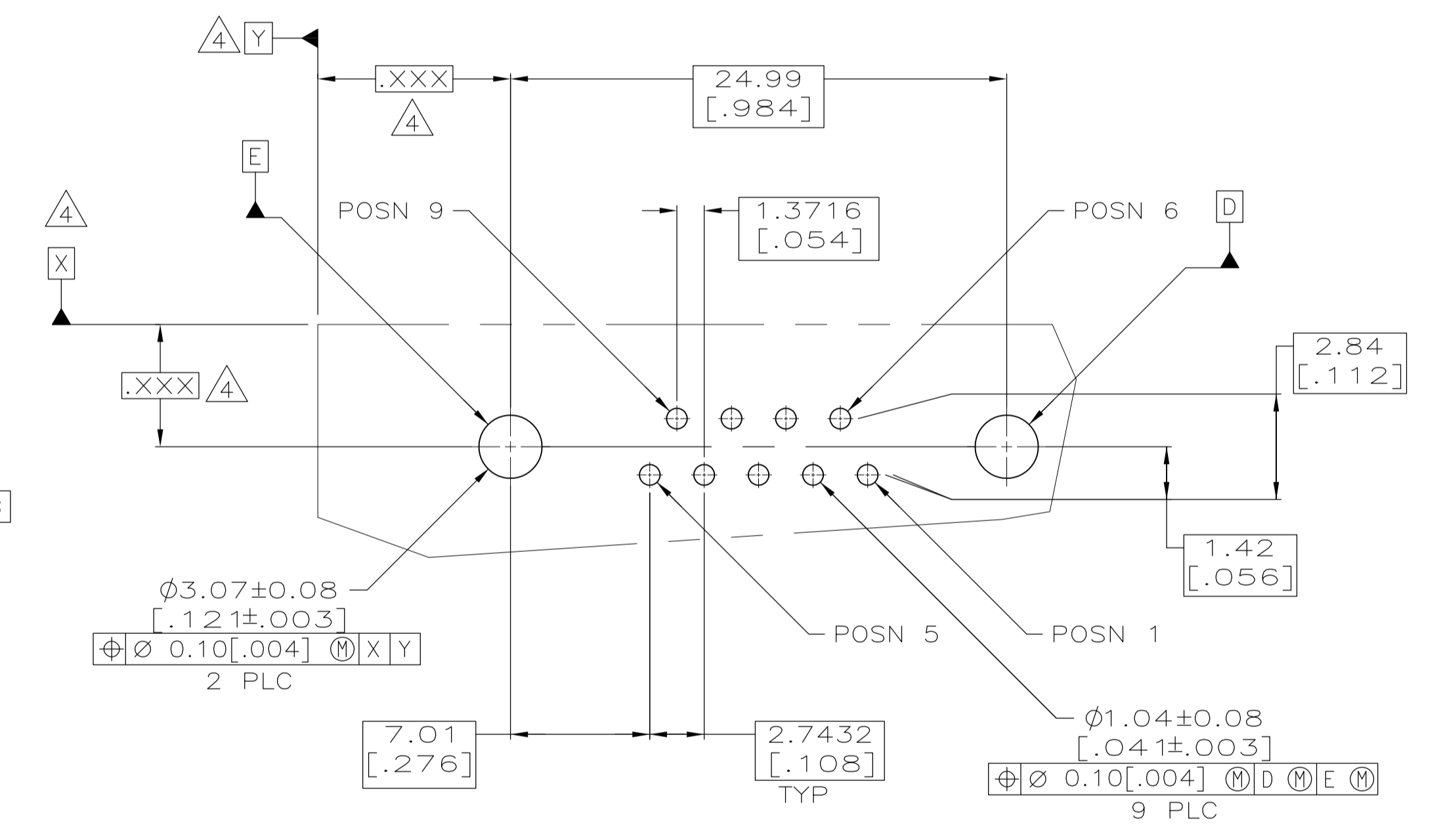
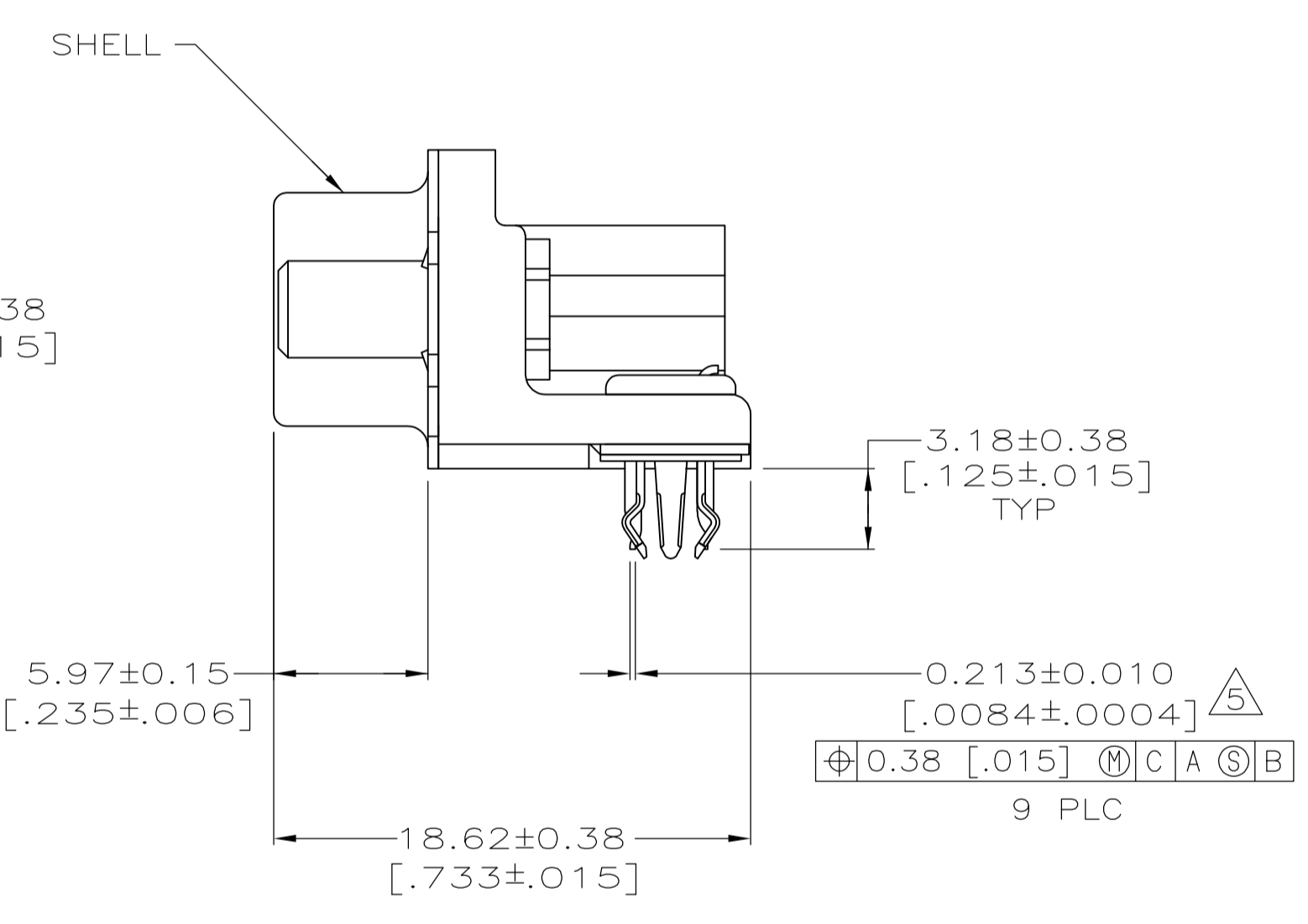
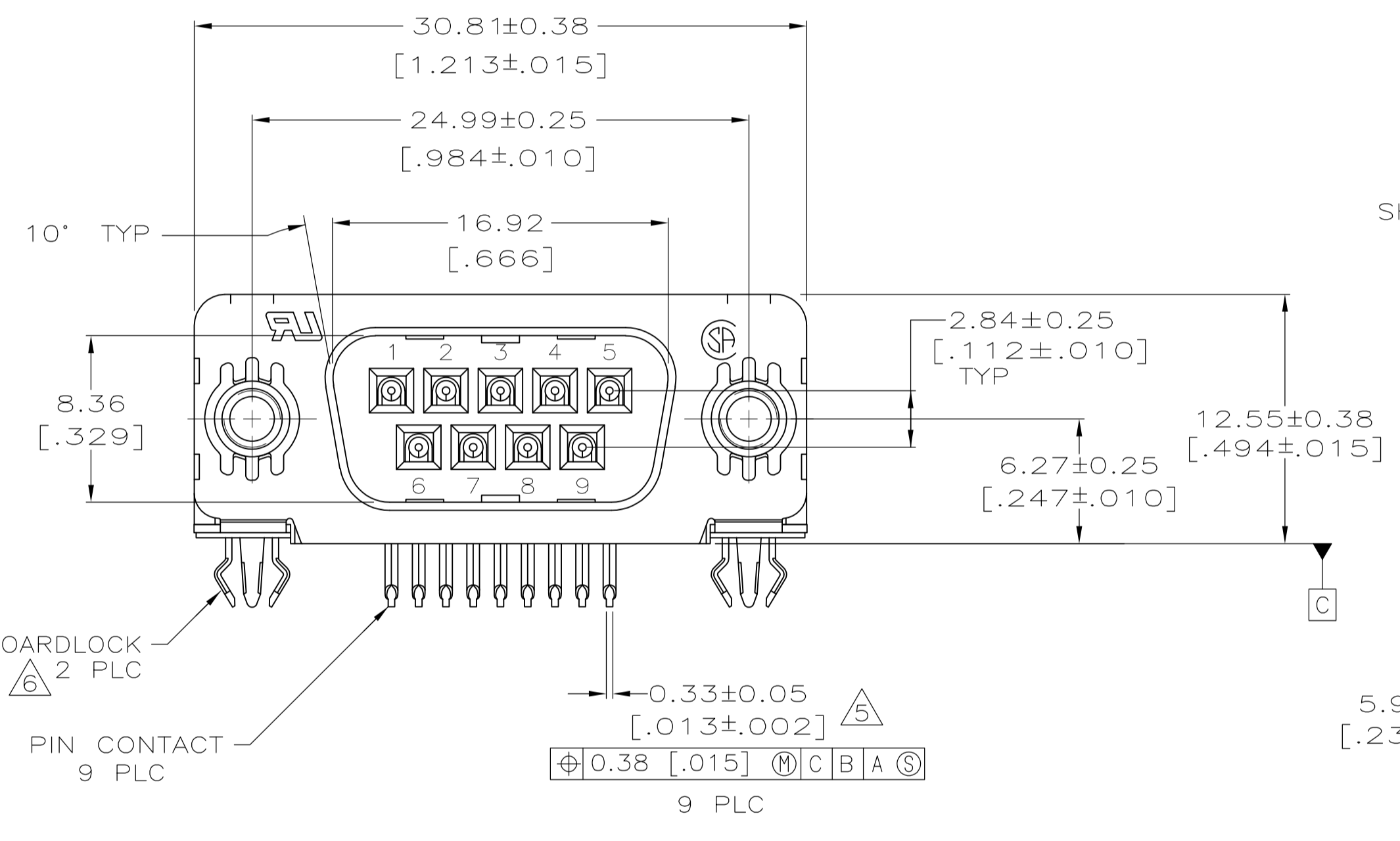


- 1 HOUSING: NYLON, THERMOPLASTIC, UL 94V0 RATED, BLACK.  
SHELL: CARBON STEEL.  
PIN CONTACTS: BRASS.  
EYELETS: BRASS.  
SCREWLOCKS: ZINC.  
BOARDLOCKS: COPPER ALLOY.
- 2 PIN CONTACTS: 0.76µm[.000030] MIN GOLD PLATE ON THE MATING SURFACES, 2.54µm[.000100] MIN TIN OR TIN-LEAD PLATE ON THE SOLDER END, 1.27µm[.000050] MIN NICKEL UNDERPLATE ON THE ENTIRE CONTACT  
-OR-  
GOLD FLASH OVER PALLADIUM-NICKEL PLATE, 0.76µm[.000030] MIN TOTAL ON THE MATING SURFACES, 2.54µm[.000100] MIN TIN OR TIN-LEAD PLATE ON THE SOLDER END, 1.27µm[.000050] MIN NICKEL UNDERPLATE ON THE ENTIRE CONTACT.  
EYELETS: 2.54µm[.000100] MIN TIN-LEAD OR TIN OVER COPPER FLASH.  
SHELL: 2.54µm[.000100] MIN TIN OVER 1.27µm[.000050] MIN COPPER.  
SCREWLOCKS: CLEAR CHROMATE.  
BOARDLOCKS: 3.81µm[.000150] MIN TIN-LEAD OVER 1.27µm[.000050] MIN NICKEL.
- 3 PIN CONTACTS: GOLD FLASH ON THE MATING SURFACES, 2.54µm[.000100] MIN TIN OR TIN-LEAD PLATE ON THE SOLDER END, 1.27µm[.000050] MIN NICKEL UNDERPLATE ON THE ENTIRE CONTACT.  
EYELETS: 2.54µm[.000100] MIN TIN-LEAD OR TIN OVER COPPER FLASH.  
SHELL: 2.54µm[.000100] MIN TIN OVER 1.27µm[.000050] MIN COPPER.  
SCREWLOCKS: CLEAR CHROMATE.  
BOARDLOCKS: 3.81µm[.000150] MIN TIN-LEAD OVER 1.27µm[.000050] MIN NICKEL.
- 4 DATUMS AND BASIC DIMENSIONS ESTABLISHED BY CUSTOMER.
- 5 POSITION TOLERANCE APPLIES AT CONTACT TIP.
- 6 BOARDLOCKS WILL ACCEPT .062 MAX PRINTED CIRCUIT BOARD THICKNESS.
- 7. COMPATIBLE WITH TYPICAL HIGH TEMPERATURE SOLDERING APPLICATIONS TO A MAXIMUM OF 225°C FOR A MAXIMUM DURATION OF 90 SECONDS. TEMPERATURE TO BE MEASURED ON CONNECTOR SURFACE.



OBSOLETE	3	788793-2
	2	788793-1
FINISH		PART NUMBER

THIS DRAWING IS A CONTROLLED DOCUMENT. DIMENSIONING AND TOLERANCING PER ASME Y14.5M-2009.

APPROVED: J. KOPPENHEFFER

DATE: 03 MAR 00

NAME: J. KOPPENHEFFER

PRODUCT SPEC: 108-40025

APPLICATION SPEC: 114-40010

SIZE: A1

SCALE: 4:1

SHEET: 1 OF 1

REV: D

TE Connectivity

PLUG ASSY, SIZE 1, .318 SERIES WITH FRONT METAL SHELL, HIGH TEMPERATURE, AMPLIMITE HD-20

788793