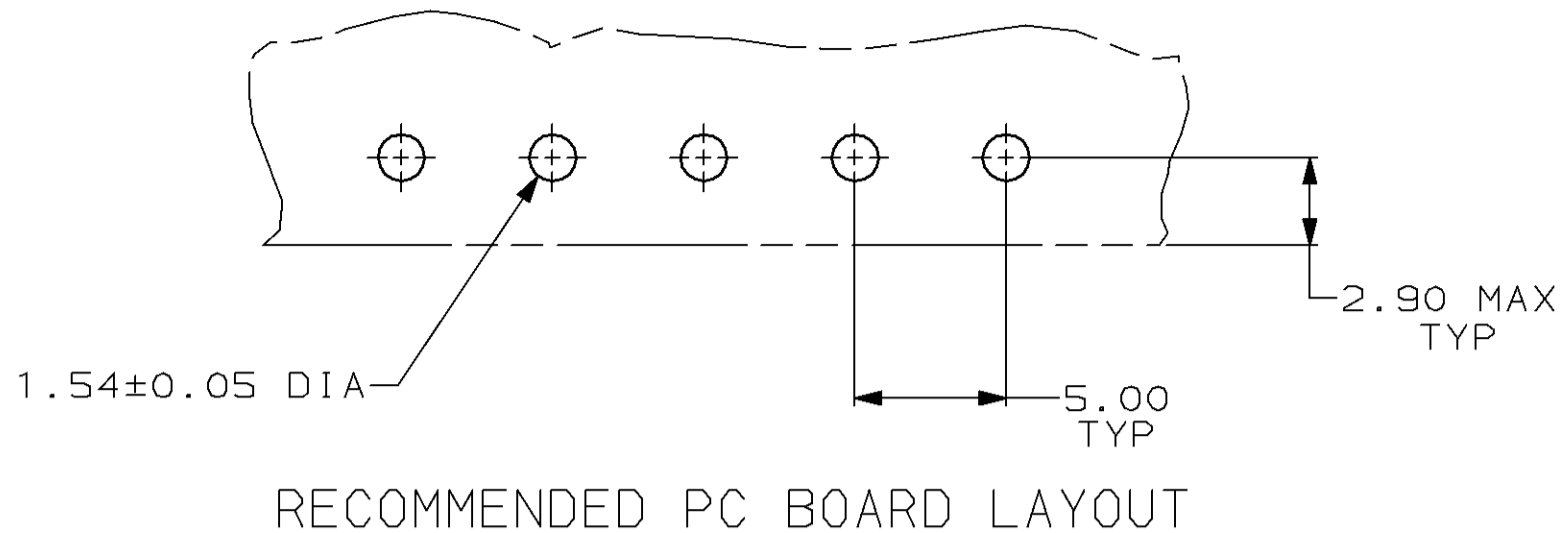
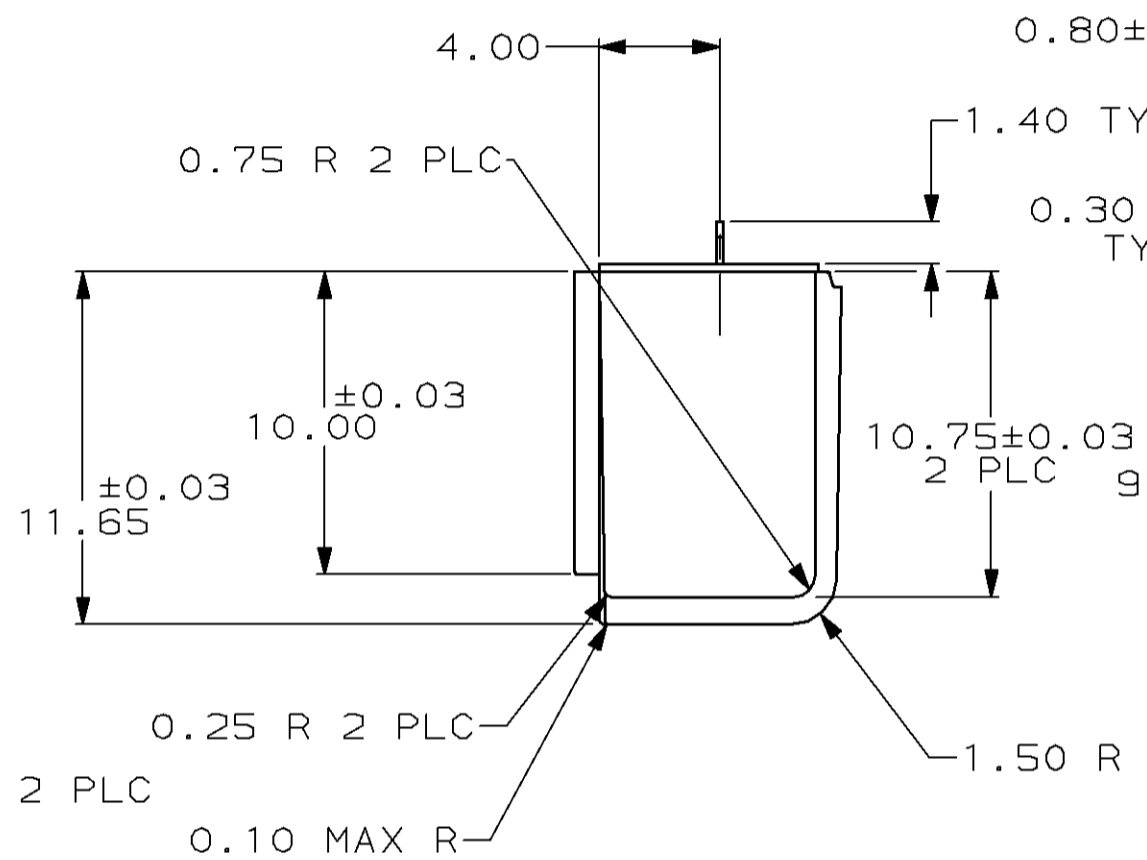


THIS DRAWING IS UNPUBLISHED. RELEASED FOR PUBLICATION  
 BY AMP INCORPORATED. ALL RIGHTS RESERVED.

Loc		DIST		REVISIONS			
P	LTR	DESCRIPTION		DATE	DWN	APVD	
BD	39	0	RLSE NPR 5533 WAS 96-2258-1-1	24 MAY 96	-	-	

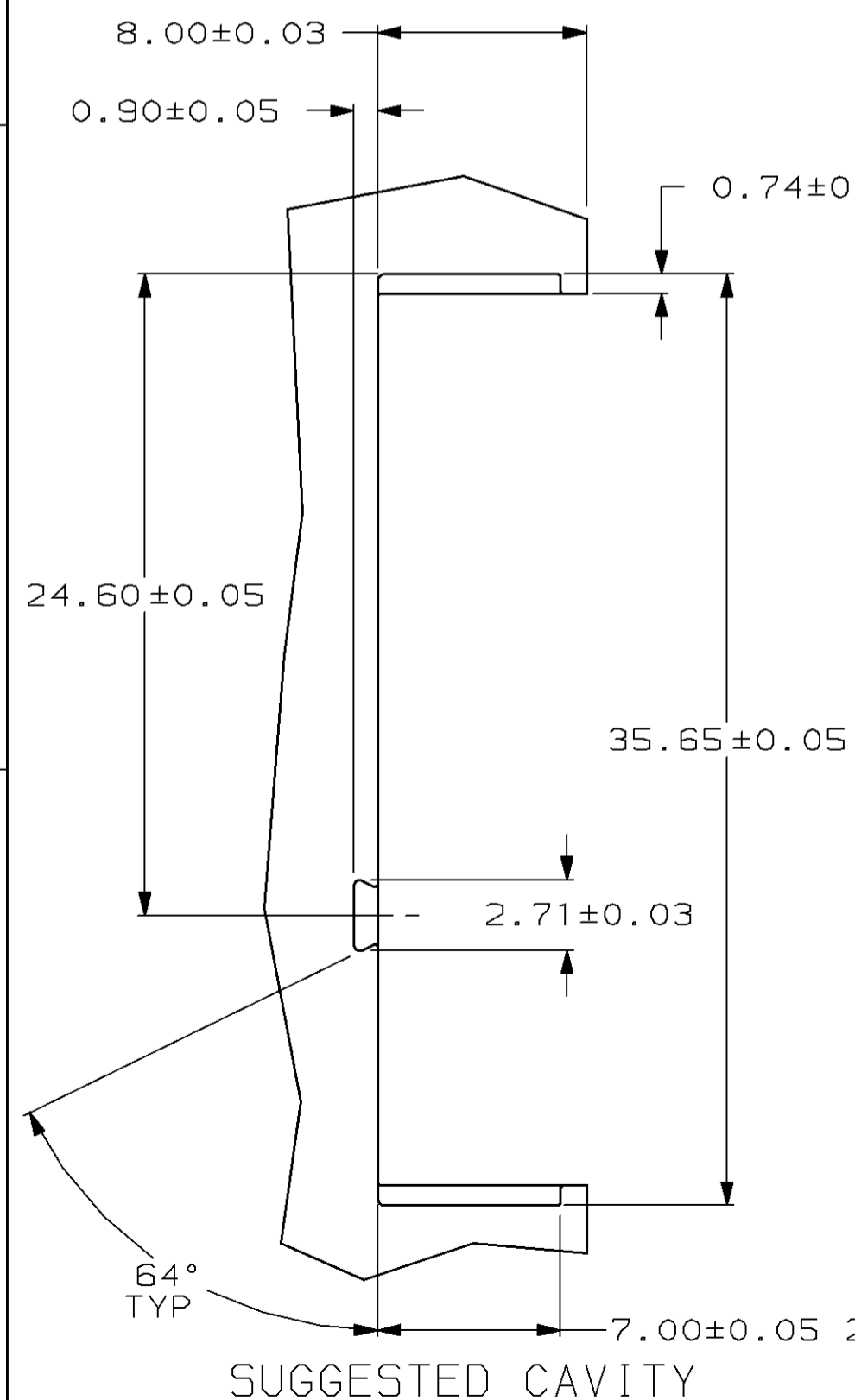
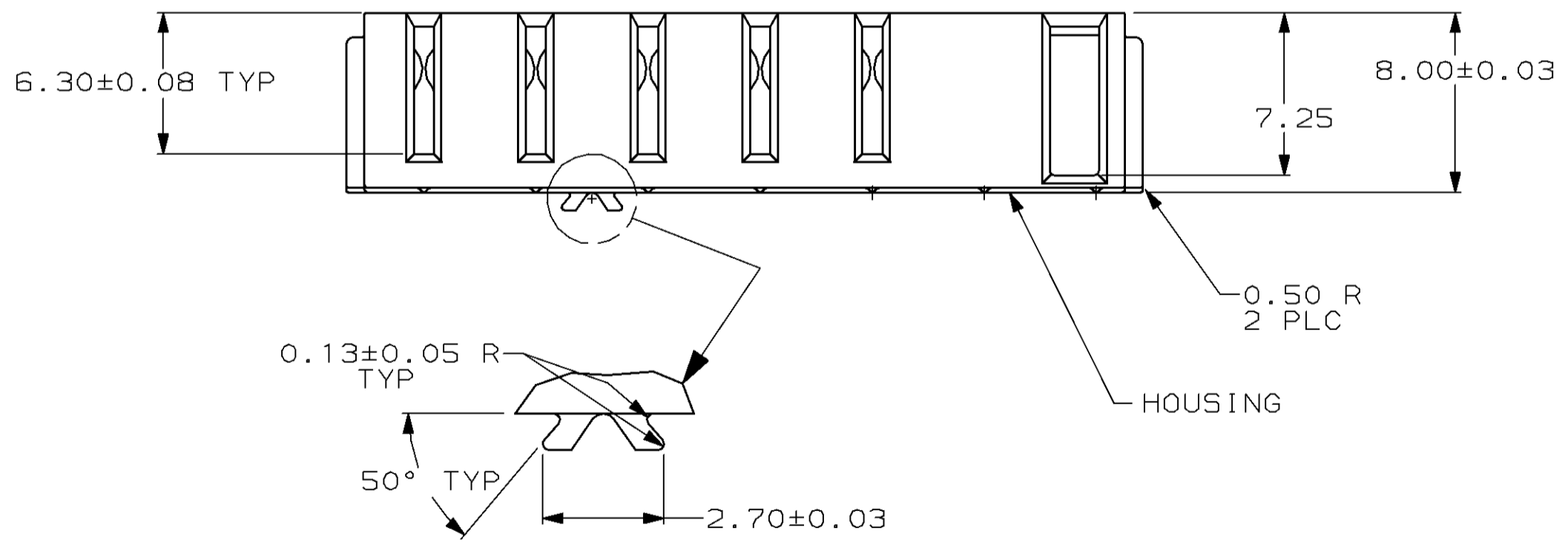
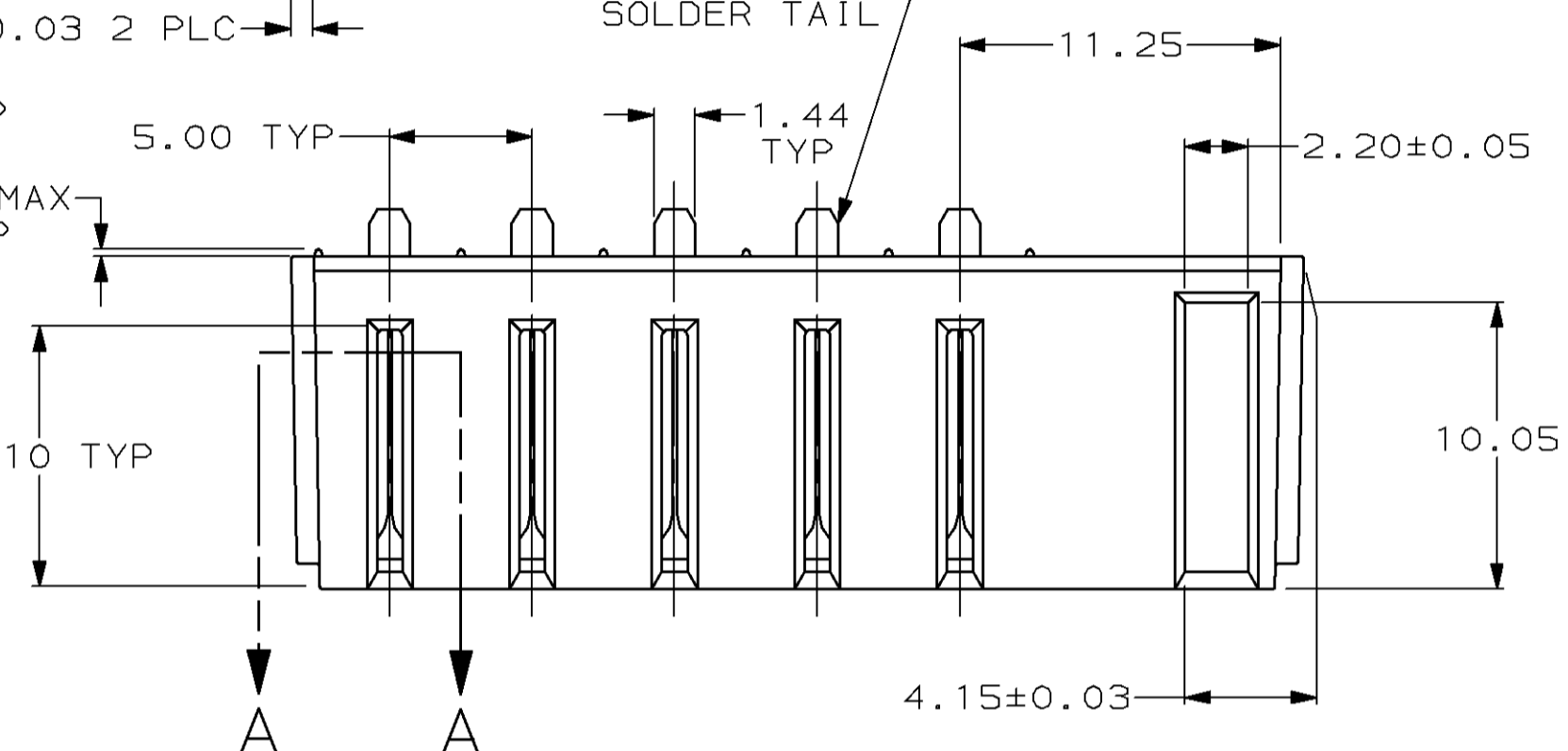
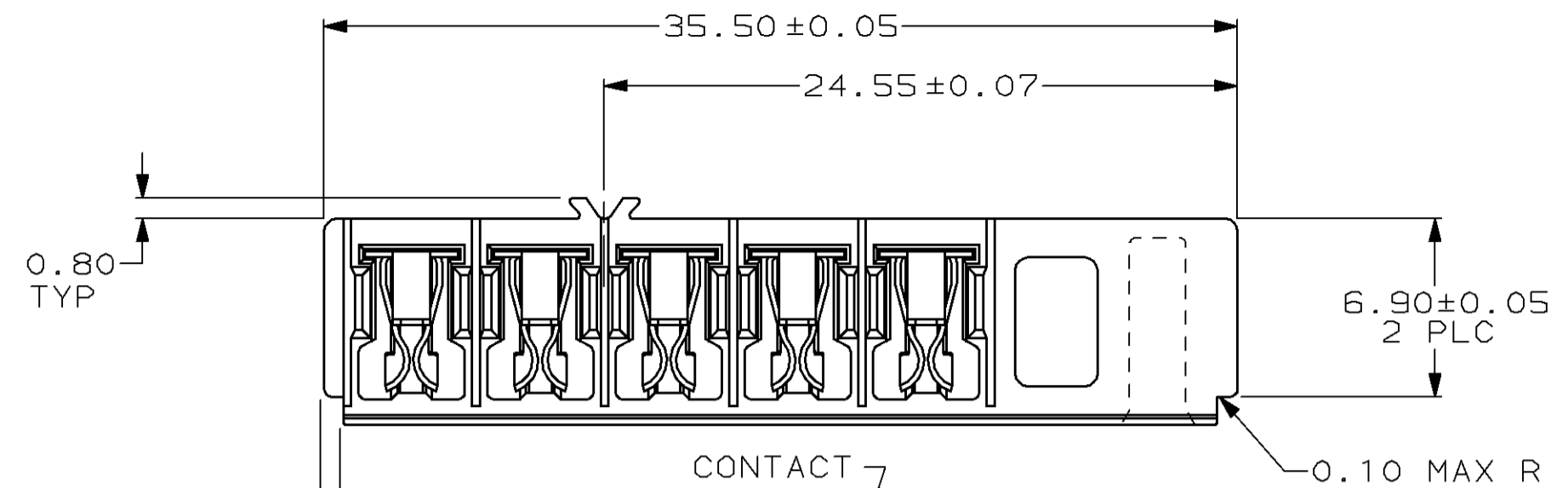


RECOMMENDED PC BOARD LAYOUT



SECTION A-A  
 2.50 (POINT OF CONTACT)

- ① HOUSING: POLYPHTHALAMIDE, BLACK.  
CONTACT: PHOSPHOR BRONZE.
- ② CONTACT: 1.30µm MIN TIN-LEAD ON SOLDER TAIL OVER  
1.90µm MIN NICKEL ON ENTIRE CONTACT.



SUGGESTED CAVITY

<small>THIS DRAWING IS A CONTROLLED DOCUMENT FOR AMP INCORPORATED. IT IS SUBJECT TO CHANGE AND THE CONTROLLING ENGINEERING ORGANIZATION SHOULD BE CONTACTED FOR THE LATEST REVISION.</small>		DWN C. OBERMAN 24 MAY 96	<b>AMP</b> AMP Incorporated Harrisburg, PA 17105-3608
DIMENSIONS: mm		CHK R. STONE 28 MAY 96	
TOLERANCES UNLESS OTHERWISE SPECIFIED: 0 PLC ±- 1 PLC ±- 2 PLC ±0.10 3 PLC ±- 4 PLC ±- ANGLES ±2° FINISH		APVD R. KLINE 29 MAY 96	NAME INSERT ASSEMBLY, 5 POSITION, DOVETAIL LOCATOR, WITH SOLDER TAIL, 5 mm ⌀, 10.8 VOLTS, BATTERY INTERCONNECT
MATERIAL ①		PRODUCT SPEC 108-1501 APPLICATION SPEC	SIZE A2
②		WEIGHT -	CAGE CODE 00779
		CUSTOMER DRAWING	DRAWING NO C=787802
			SCALE 4:1
			SHEET 1 OF 1
			REV 0

787802

787802-1  
 PART NUMBER