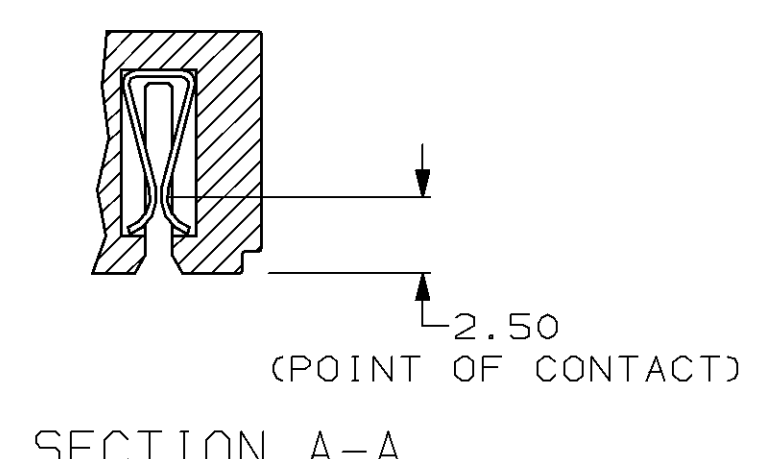
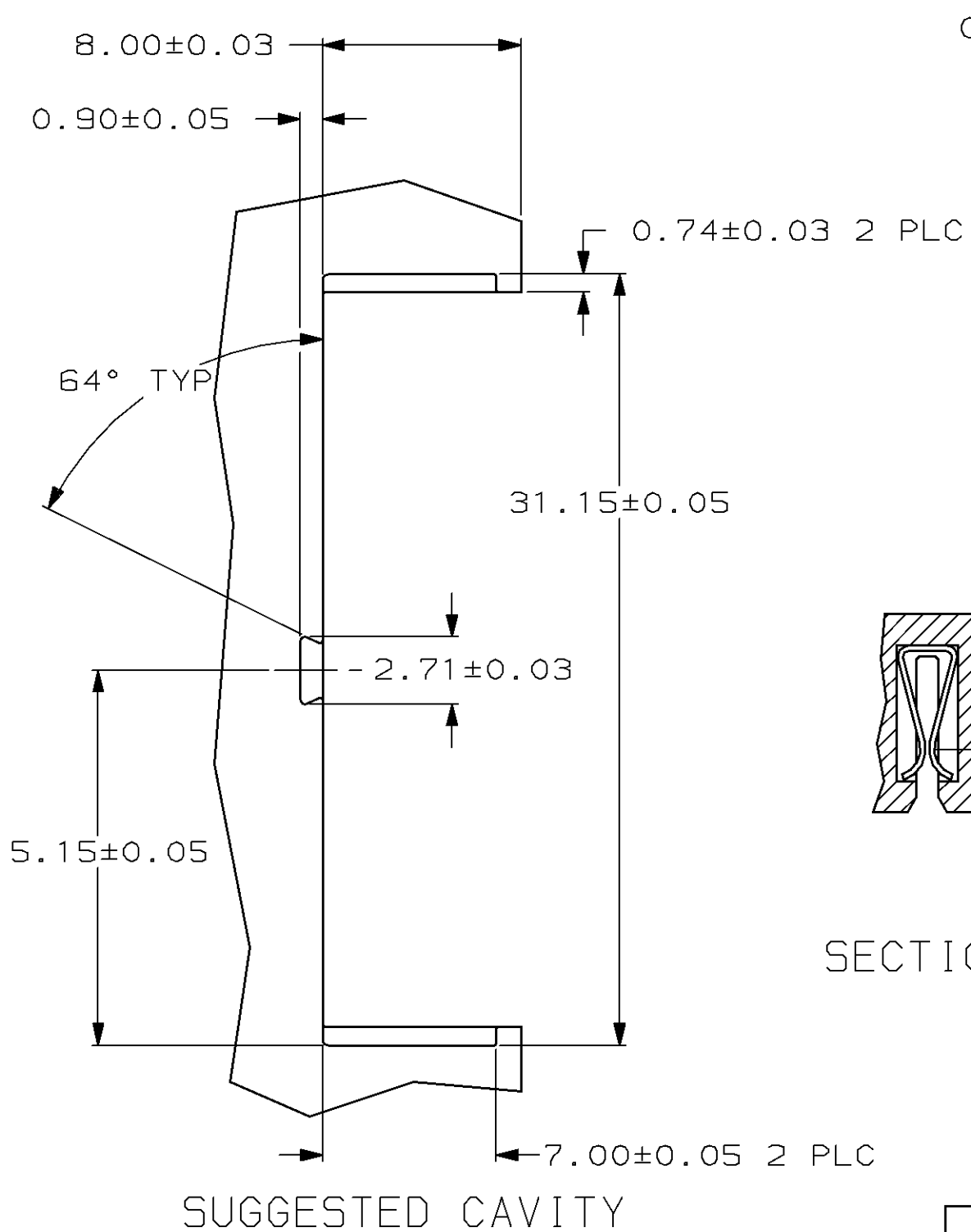
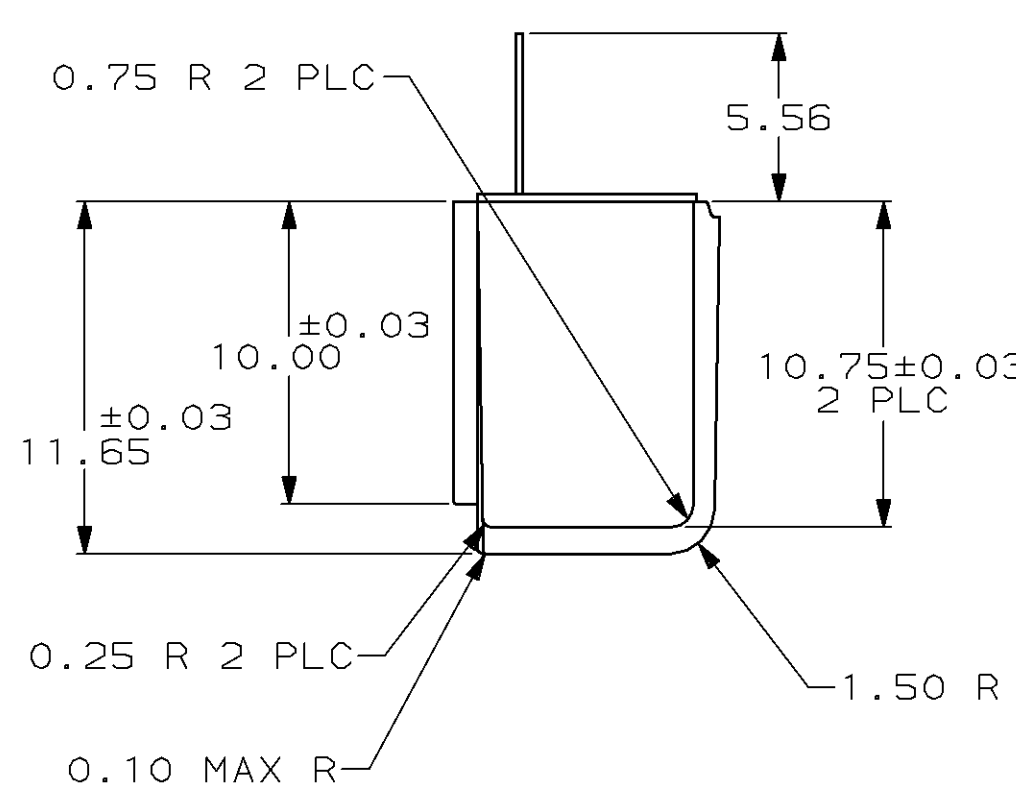
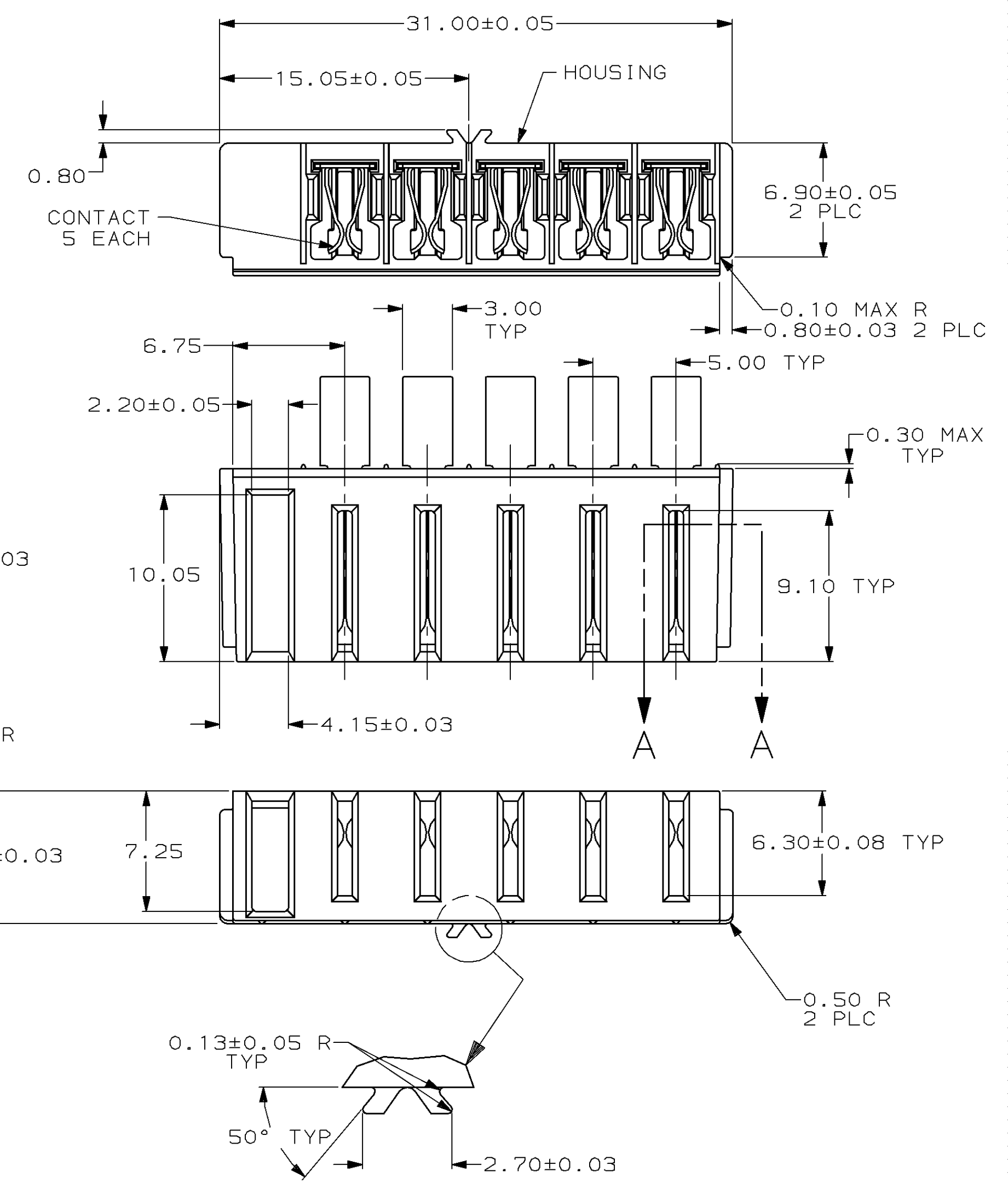


LOC		DIST		REVISIONS			
P	F	ZONE	LTR	DESCRIPTION	DATE	APPD	
BD	39			RELEASED PER NPR 5430 WAS 95-2258-1-1	10/9/95	RSK	



DO NOT SCALE PRINT. UNLESS SPECIFIED DIMENSIONS IN mm TOLERANCES ON : 2 PLC DEC ±0.10 3 PLC DEC ± - ANGLES ± 2°		DR 10/9/95 R.S.KLINE	787613-1 PART NO	
MATERIAL HOUSING: POLYCARBONATE COLOR: BLACK CONTACTS: COPPER ALLOY	APPD 10/12/95 R.S.KLINE	AMP AMP Incorporated Harrisburg, PA 17105-3608		
FINISH CONTACTS: PRE-NICKEL	APPD 10/12/95 R.S.KLINE	NAME INSERT ASSEMBLY, 5 POSITION, SINGLE KEY, DOVETAIL LOCATOR, 5mm ⌀, 7.2 VOLT, BATTERY INTERCONNECT		
PRODUCT SPEC -	APPLICATION SPEC -	SIZE C	CAGE CODE 00779	DRAWING NO. C=787613
WEIGHT -	SCALE 4:1	NOT the LATEST REVISION		SHEET 1 OF 1

THIS DRAWING IS A CONTROLLED DOCUMENT FOR AMP INCORPORATED. IT IS SUBJECT TO CHANGE AND THE CONTROLLING ENGINEERING ORGANIZATION SHOULD BE CONTACTED FOR THE LATEST REVISION.