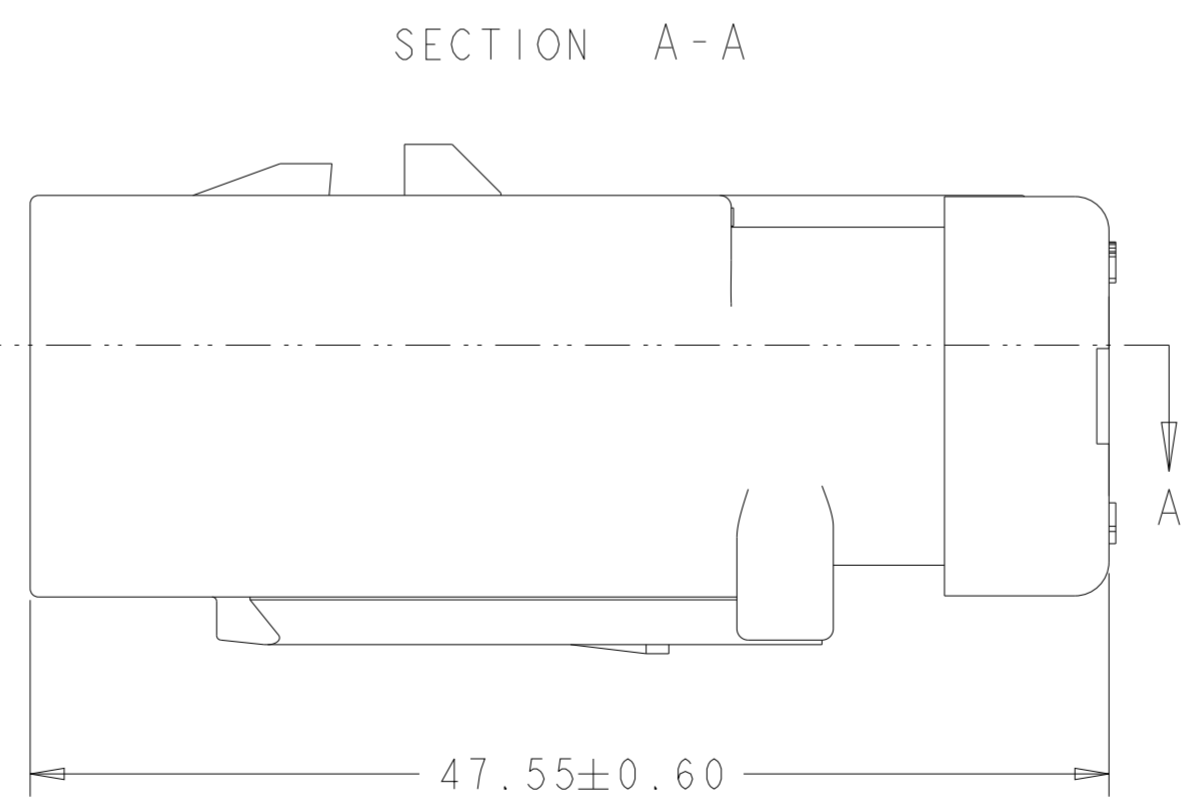
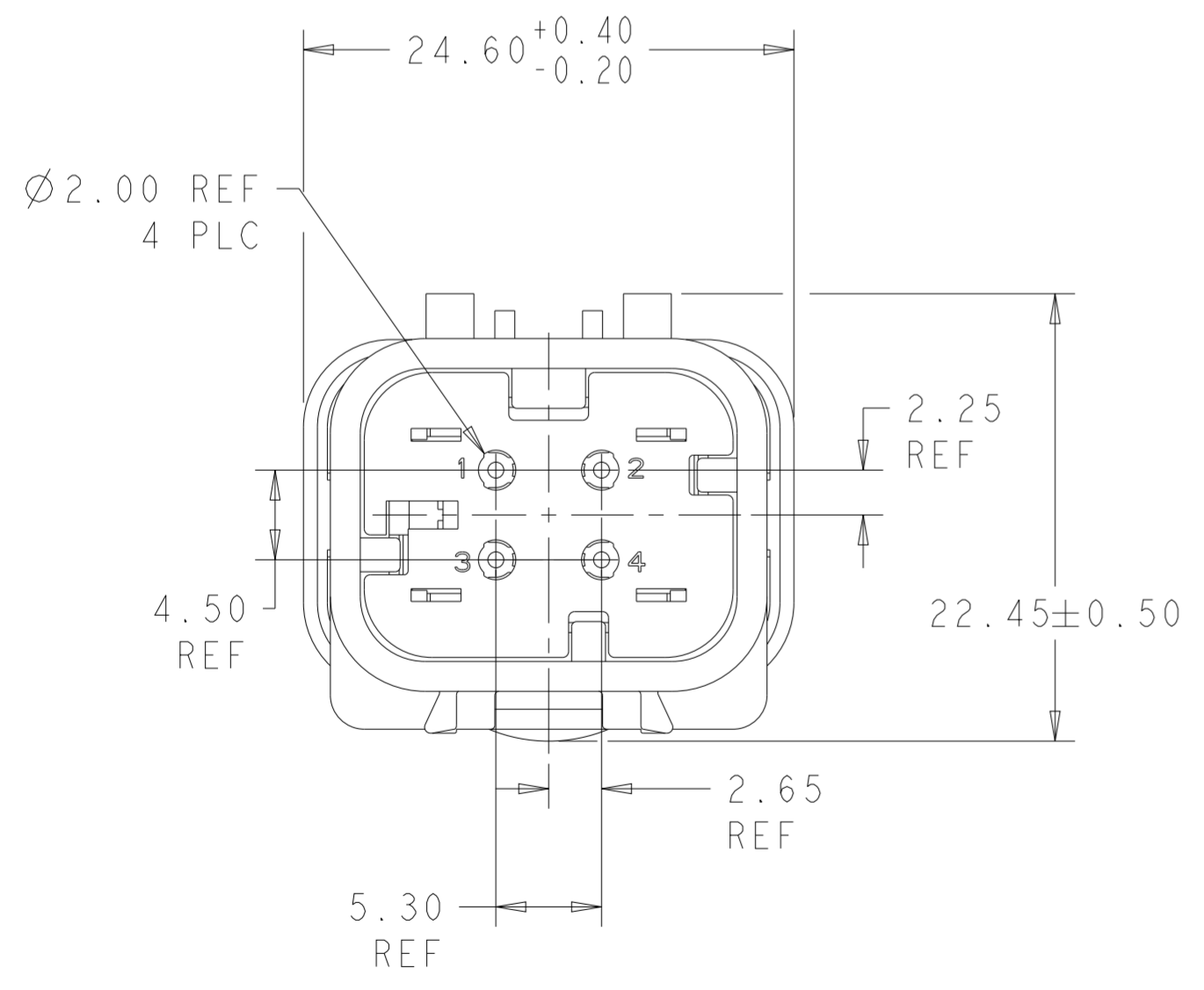
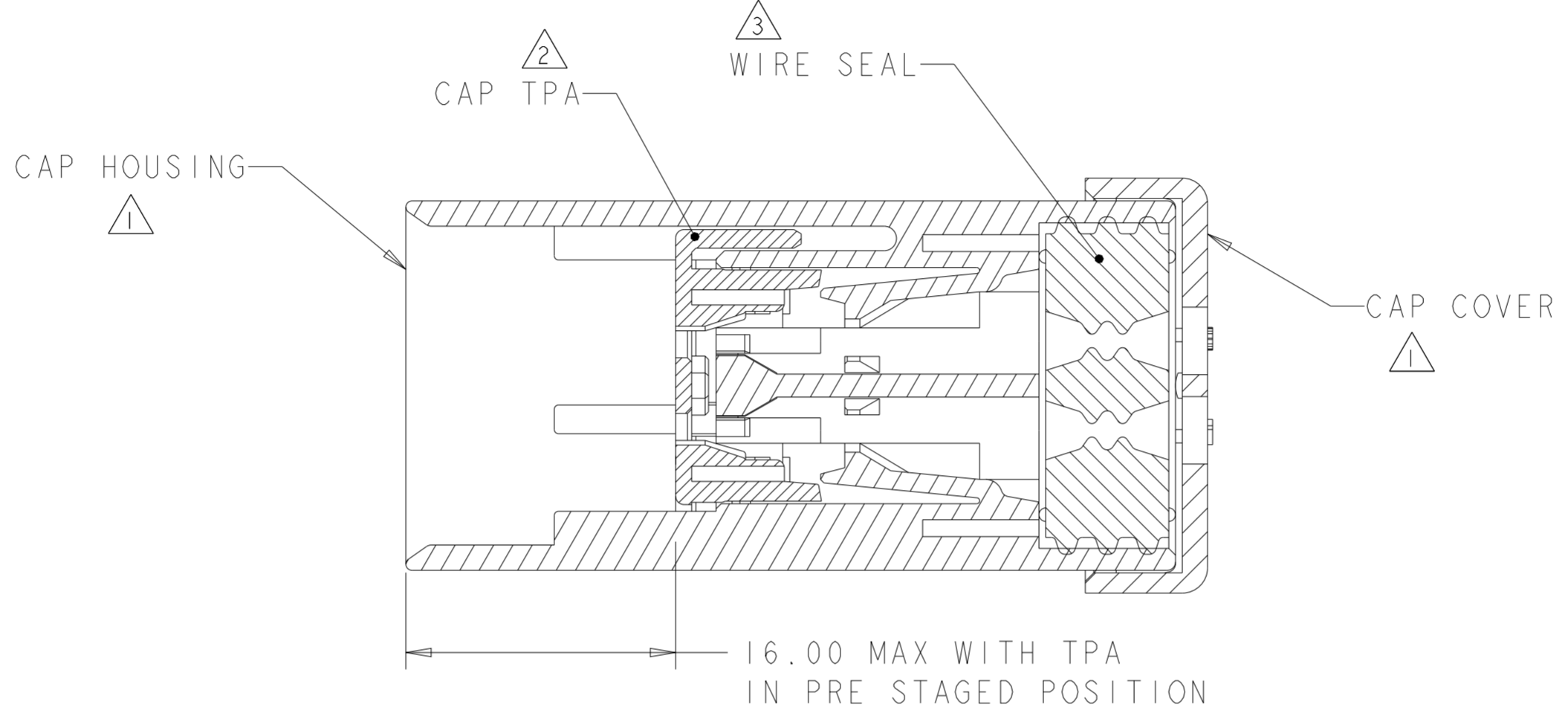
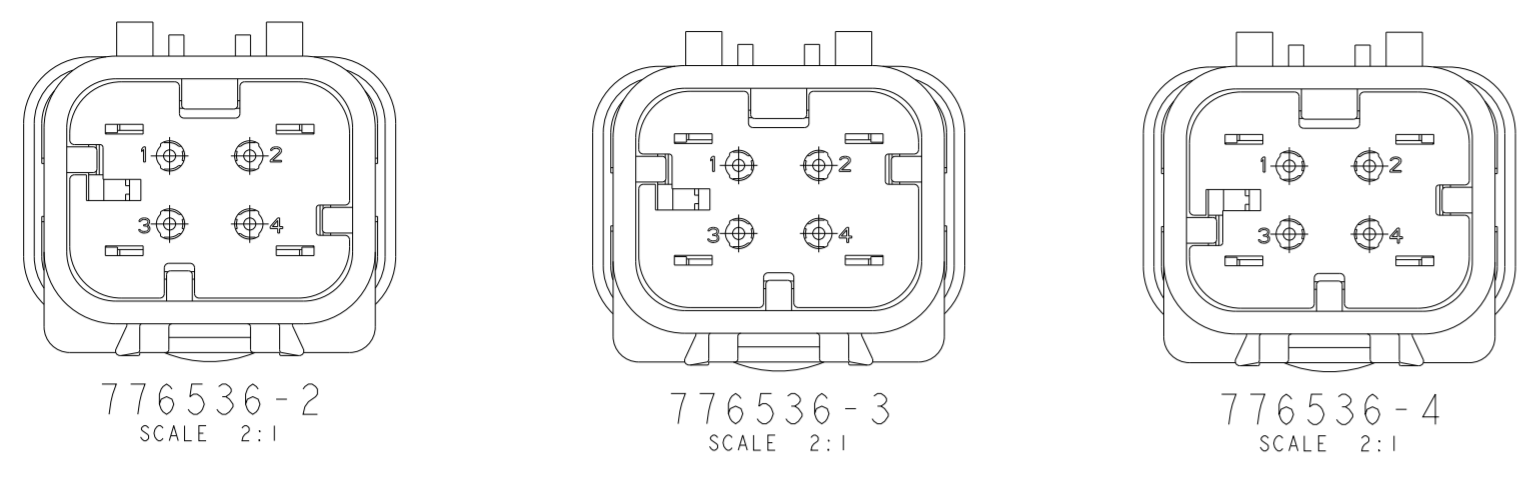
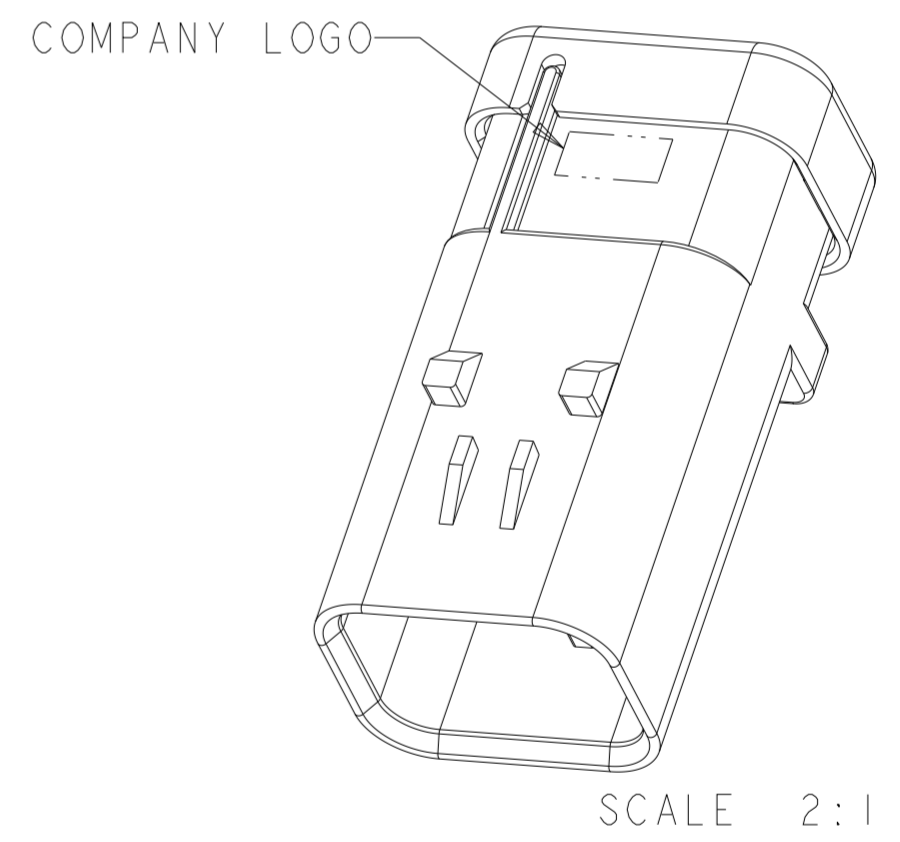


THIS DRAWING IS UNPUBLISHED. RELEASED FOR PUBLICATION. ALL RIGHTS RESERVED.

REVISIONS					
P	LTR	DESCRIPTION	DATE	DWN	APVD
C		REVISED PER ECO-13-019168	05DEC2013	DR	RB
CI		REVISED PER PCN-23-190965	31OCT2023	AP	CB



- 1 MATERIAL: 15% GLASS FILLED THERMOPLASTIC  
COLOR: BLACK
  - 2 MATERIAL: 15% GLASS FILLED THERMOPLASTIC  
COLOR: (SEE TABLE)
  - 3 MATERIAL: SILICONE  
COLOR: RUST
4. RECOMMENDED WIRE DIAMETER RANGE IS 1.30 TO 2.54mm



GREEN	776536-4
YELLOW	776536-3
GRAY	776536-2
RED	776536-1
TPA COLOR	PART NUMBER

THIS DRAWING IS A CONTROLLED DOCUMENT.

DIMENSIONS: mm	TOLERANCES UNLESS OTHERWISE SPECIFIED: 0 PLC ± 1 PLC ± 2 PLC ± 3 PLC ± 4 PLC ± ANGLES ± FINISH	DWN W. HOELSCHER 04SEP03	NAME <b>STE</b> TE Connectivity
		CHK J. PATTERSON 04SEP03	
		APVD D. KLEIN 04SEP03	APPLICATION SPEC 114-13065
MATERIAL		WEIGHT 14	RESTRICTED TO
		Customer Drawing	SCALE 3:1 SHEET 1 OF 1 REV CI