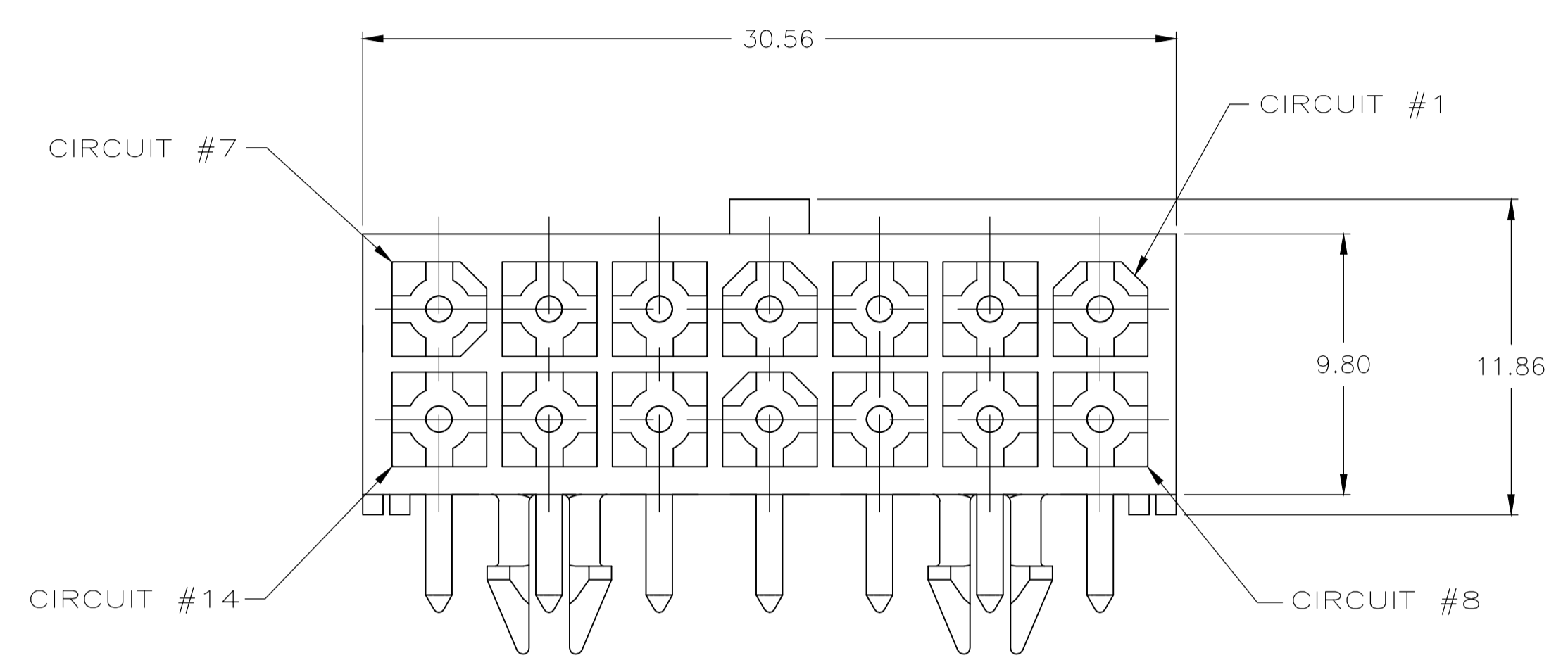
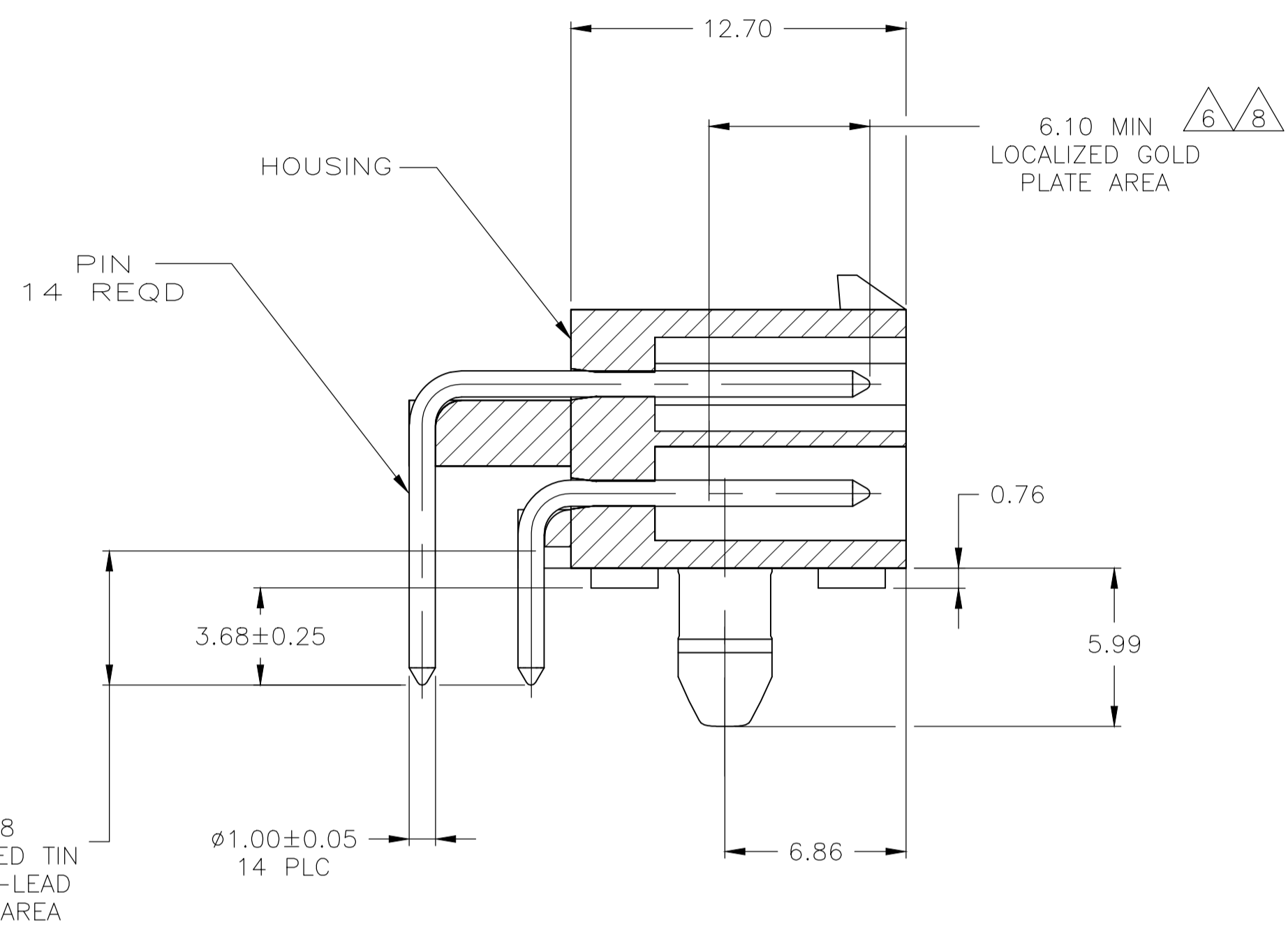
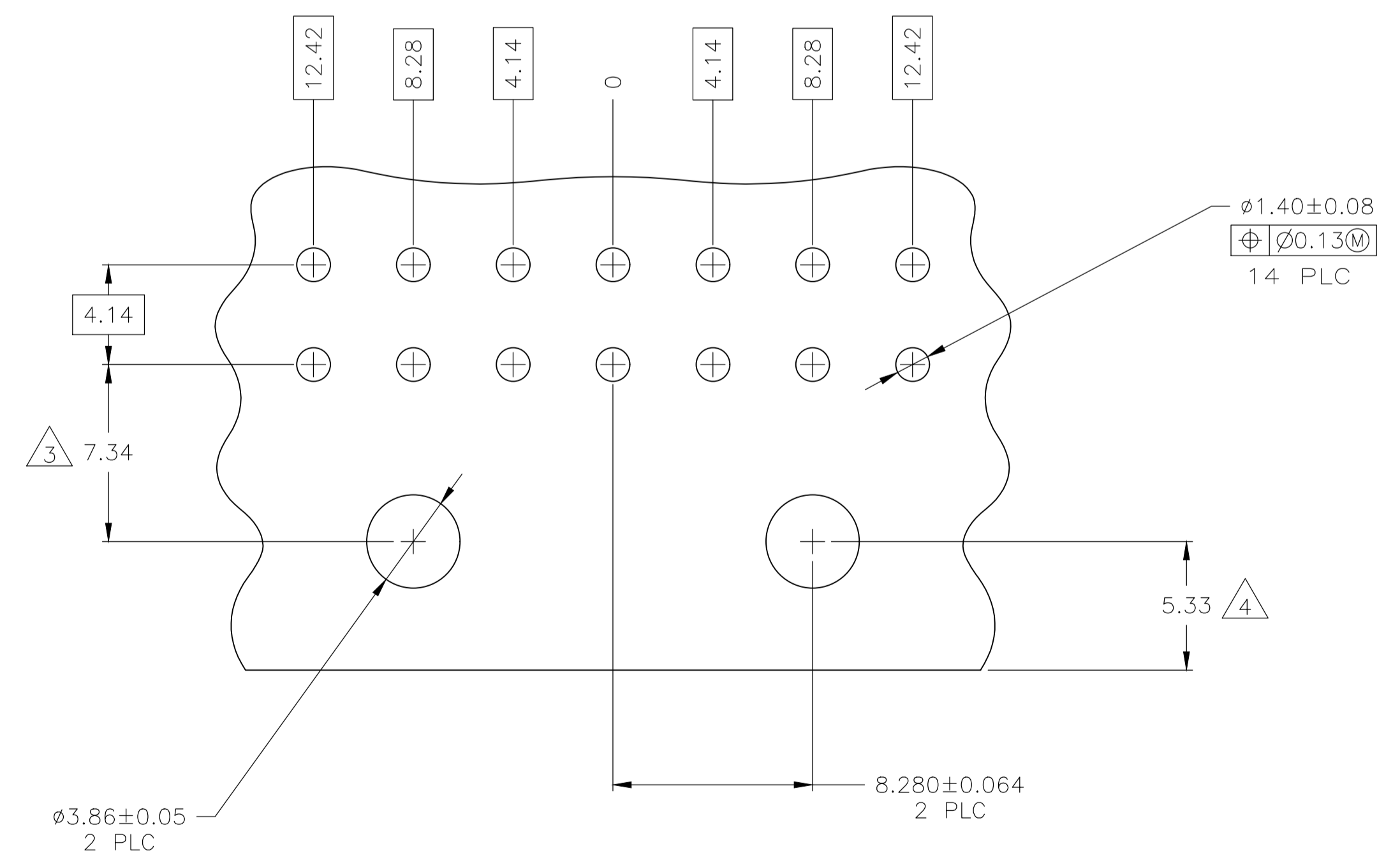


LOC		DIST		REVISIONS			
P	LTR	DESCRIPTION	DATE	DMN	APVD		
H1		REVISED PER ECR-20-004142	29JUN2020	BDA	SW		



1. PINS TO COMPLY WITH AMP SOLDERABILITY SPEC 109-11-3.
2. MATES WITH PLUG P/N 770582-1.
3. COORDINATE DIMENSION APPLIES FROM CENTER OF ACTUAL FEATURE.
4. RECOMMENDED FOR EDGE MOUNTING.
5. 0.00381 MIN MATTE TIN LEAD OVER 0.00127 MIN NICKEL ENTIRE LENGTH OF PIN.
6. 0.00076 MIN GOLD PLATE IN THE LOCALIZED PLATE AREA, 0.00381 MIN MATTE TIN LEAD IN THE LOCALIZED PLATE AREA, BOTH OVER 0.00127 MIN NICKEL.
7. 0.00381 MIN MATTE TIN OVER 0.00127 MIN NICKEL ENTIRE LENGTH OF PIN.
8. 0.00076 MIN GOLD PLATE IN THE LOCALIZED GOLD PLATE AREA, 0.00381 MIN MATTE TIN IN THE LOCALIZED TIN PLATE AREA, BOTH OVER 0.00127 MIN NICKEL.
9. SUPERSEDED BY 1-770973-0
10. SUPERSEDED BY 1-770973-1

5.08 LOCALIZED TIN OR TIN-LEAD PLATE AREA  
 0.76  
 3.68±0.25  
 6.86  
 5.99  
 12.70  
 6.10 MIN LOCALIZED GOLD PLATE AREA  
 PIN 14 REQD  
 HOUSING  
 0.76  
 5.99  
 3.68±0.25  
 6.86  
 5.08 LOCALIZED TIN OR TIN-LEAD PLATE AREA  
 0.76  
 3.68±0.25  
 6.86  
 5.99  
 12.70  
 6.10 MIN LOCALIZED GOLD PLATE AREA  
 PIN 14 REQD  
 HOUSING  
 0.76  
 5.99  
 3.68±0.25  
 6.86  
 5.08 LOCALIZED TIN OR TIN-LEAD PLATE AREA



RECOMMENDED MOUNTING HOLE PATTERN FOR 1.57 THICK P.C. BOARD

MM	IN	MM	IN
3.86	.152	30.56	1.203
3.68	.145	12.70	.500
1.57	.062	12.42	.489
1.40	.055	12.42	.489
1.00	.039	9.80	.386
0.76	.030	8.280	.3260
0.25	.010	8.28	.326
0.13	.005	7.34	.289
0.08	.003	6.86	.270
0.064	.0025	6.10	.240
0.05	.002	5.99	.236
0.00381	.000150	5.33	.210
0.00127	.000050	5.08	.200
0.00076	.000030	4.14	.163
MM	IN	MM	IN

MATERIAL	FINISH	MATERIAL	COLOR	PART NO.
BRASS	8	NYLON, UL94V-0	WHITE	1-770973-1
BRASS	7	NYLON, UL94V-0	WHITE	1-770973-0
BRASS	6	NYLON, UL94V-0	WHITE	-770973-2-
BRASS	5	NYLON, UL94V-0	WHITE	-770973-1-

THIS DRAWING IS A CONTROLLED DOCUMENT.

DIMENSIONS: mm	TOLERANCES UNLESS OTHERWISE SPECIFIED:	0 PLC ± -	1 PLC ± -	2 PLC ± -	3 PLC ± 0.13	4 PLC ± -	ANGLES ± -
----------------	--	-----------	-----------	-----------	--------------	-----------	------------

MATERIAL	SEE TABLE	FINISH	SEE TABLE	WEIGHT	-	SIZE	A1	CAGE CODE	00779	DRAWING NO	770973	RESTRICTED TO	-
----------	-----------	--------	-----------	--------	---	------	----	-----------	-------	------------	--------	---------------	---

CUSTOMER DRAWING SCALE 5:1 SHEET 1 OF 1 REV H1