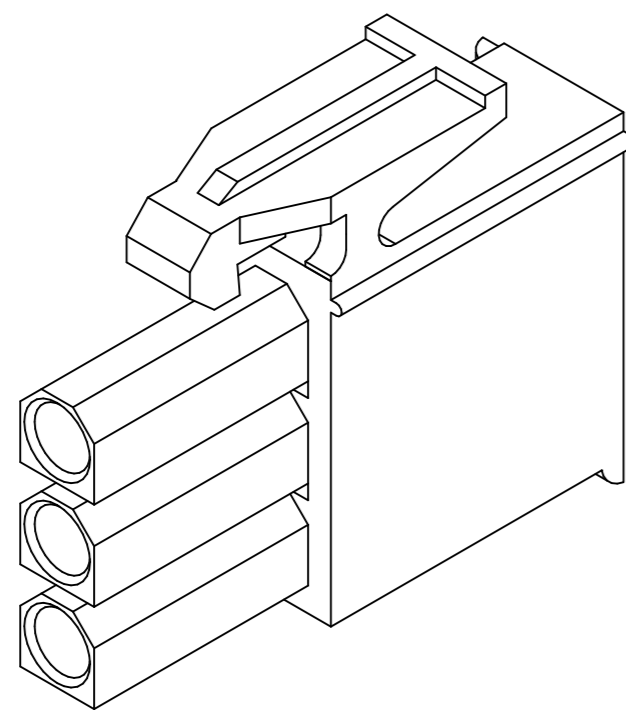
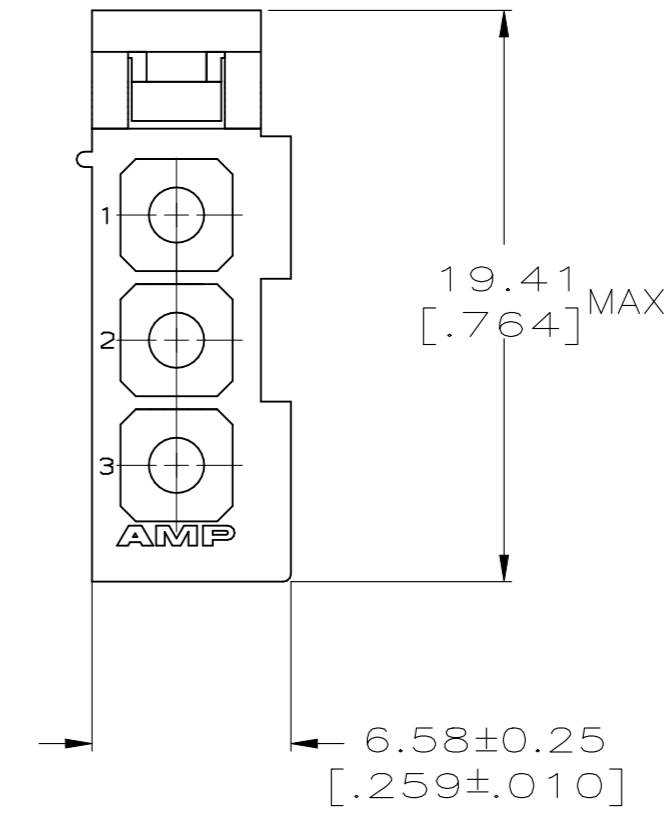
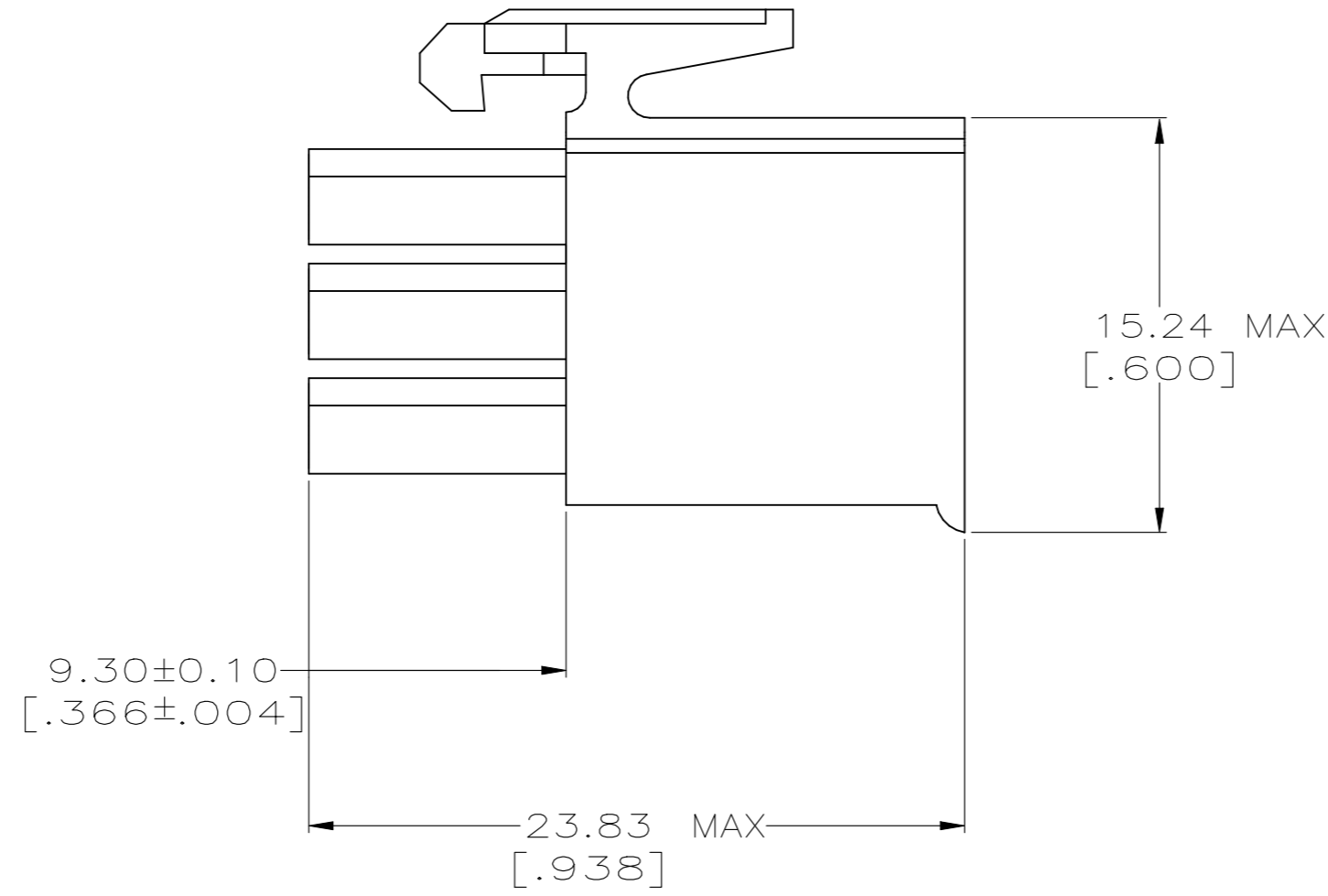
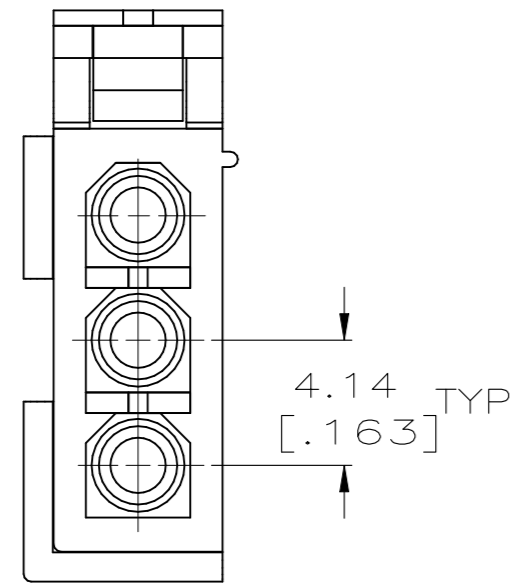
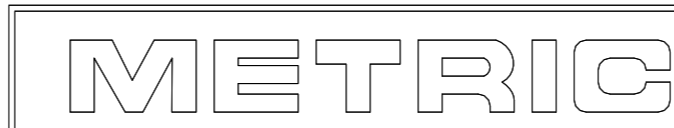


REVISIONS					
P	LTR	DESCRIPTION	DATE	DWN	APVD
D		REVISE PER ECR-24-208943	21MAY2024	DK	JP

1. DIMENSIONS IN BRACKETS ARE IN INCHES.



3-DIMENSIONAL MODEL NTS



770847

770847-1
PART NO.

THIS DRAWING IS A CONTROLLED DOCUMENT.		DWN T. BECK 5-29-91	TE TE Connectivity	
DIMENSIONS: INCHES		CHK R. SWING 5-29-91		
TOLERANCES UNLESS OTHERWISE SPECIFIED:		APVD L. PURSER 5-29-91	NAME PLUG,3 CIRCUIT, MINI UNIVERSAL MATE-N-LOK™	
0 PLC ± -		PRODUCT SPEC	SIZE A2	CAGE CODE 00779
1 PLC ± -		APPLICATION SPEC	DRAWING NO C=770847	RESTRICTED TO -
2 PLC ± -		WEIGHT -	SCALE 4:1	SHEET 1 OF 1
3 PLC ± 0.13 [0.005]		CUSTOMER DRAWING	REV D	
4 PLC ± -				
ANGLES ± -				
FINISH -				