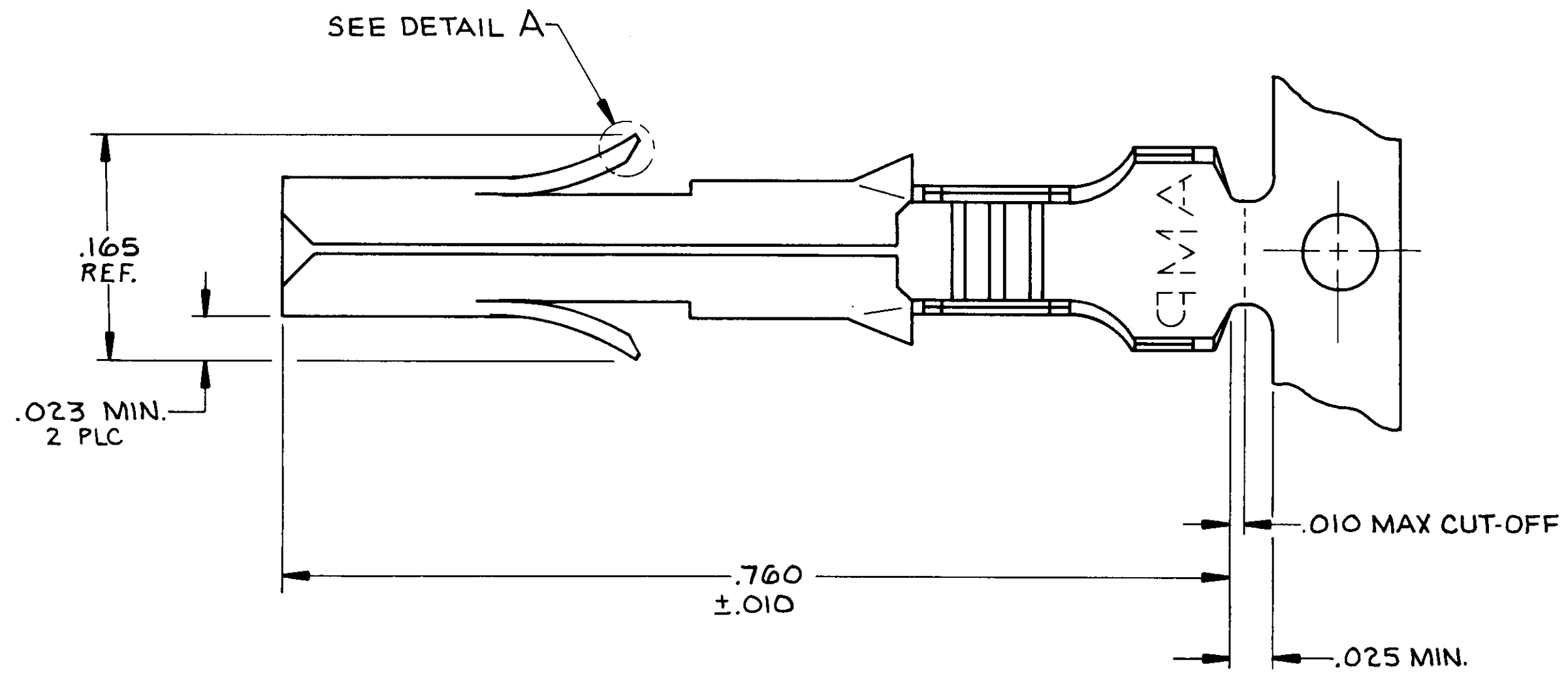
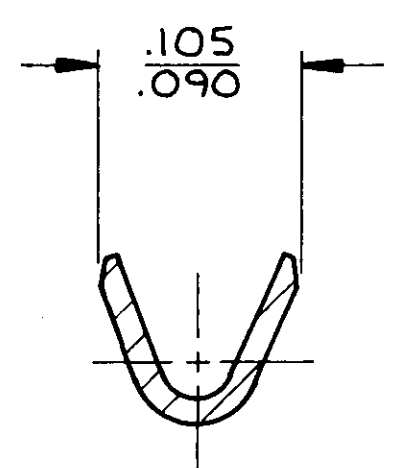
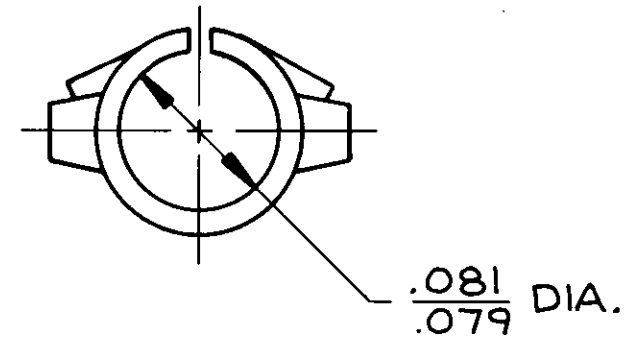
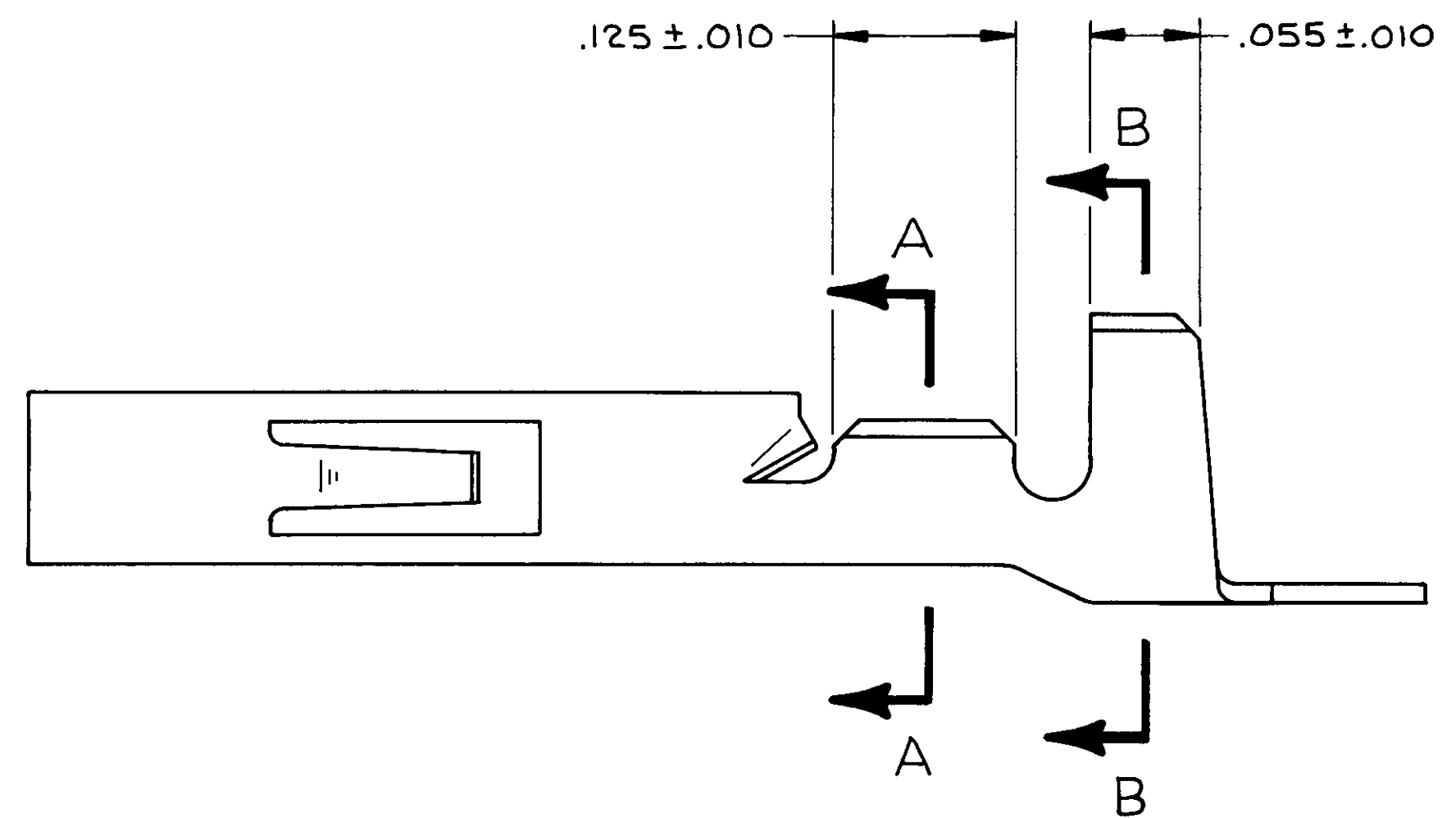


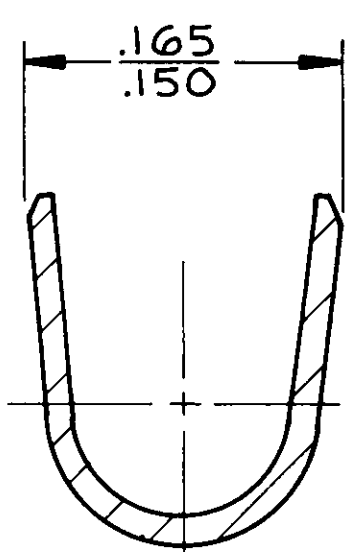
LOC		DIST		REV		DATE		APPROVED	
P	F	ZONE	LTR	DESCRIPTION		DATE		APPROVED	
		A		REV PER EC 0730-3607-91		1-6-94		RV RS	



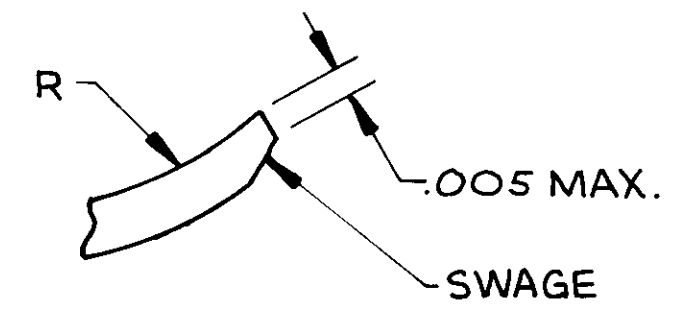
1. WIRE RANGE : 24-18 AWG.
INSULATION RANGE : .130 DIA. MAX.



SECTION A-A



SECTION B-B



DETAIL A
SCALE 20:1

770211-1 SHOWN

UNLESS OTHERWISE SPECIFIED DIMENSIONS ARE IN INCHES. TOLERANCES ON: DECIMALS: .015 ANGLES: —		CONTRACT NO. OR <i>Whiteaker 12-11-85</i> CHK <i>K. Suing 12-11-85</i> APPD		PART NO.	
MATERIAL .012 BRASS		APPD <i>D. C. ... 12/11/85</i>		NAME AMP AMP INCORPORATED Harrisburg, Pa. 17105	
FINISH PRE-TIN		OTHER APPD		DRAWING NO. 770211	
SCALE 10:1		SIZE D		FSCM NO. 00779	
				SHEET	