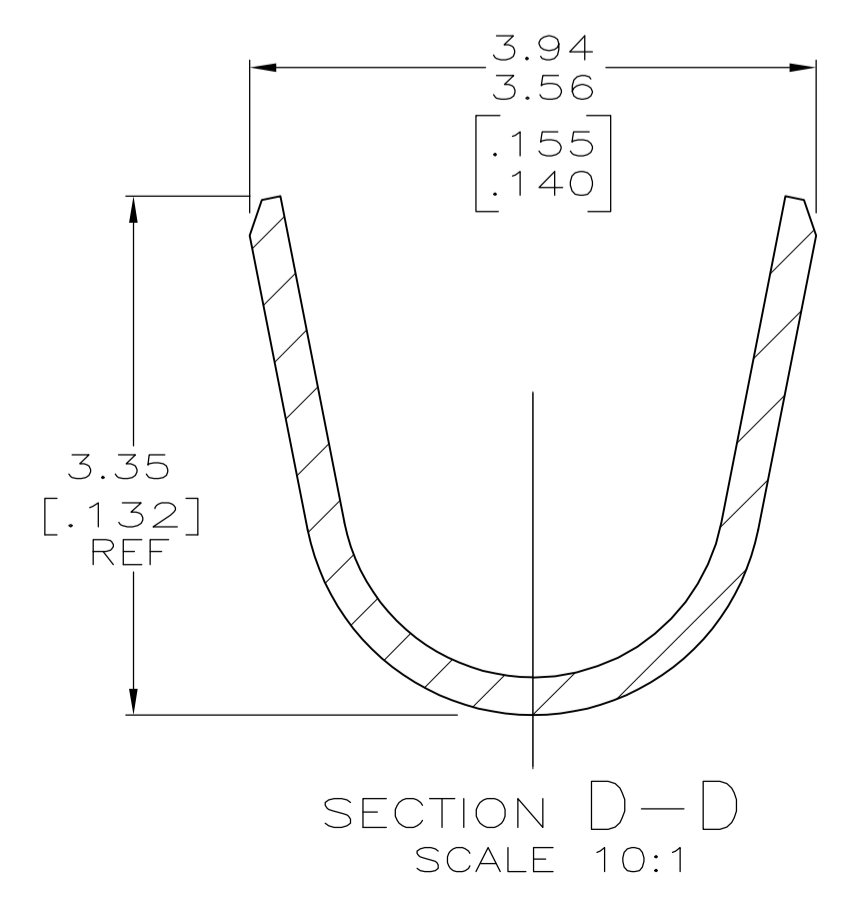
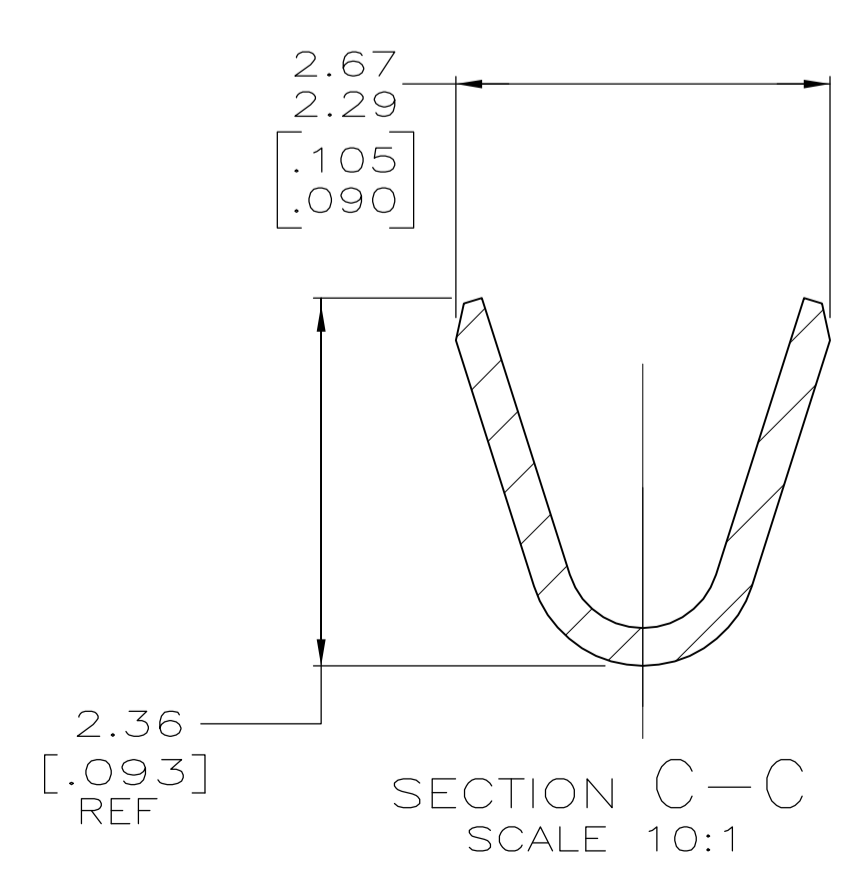
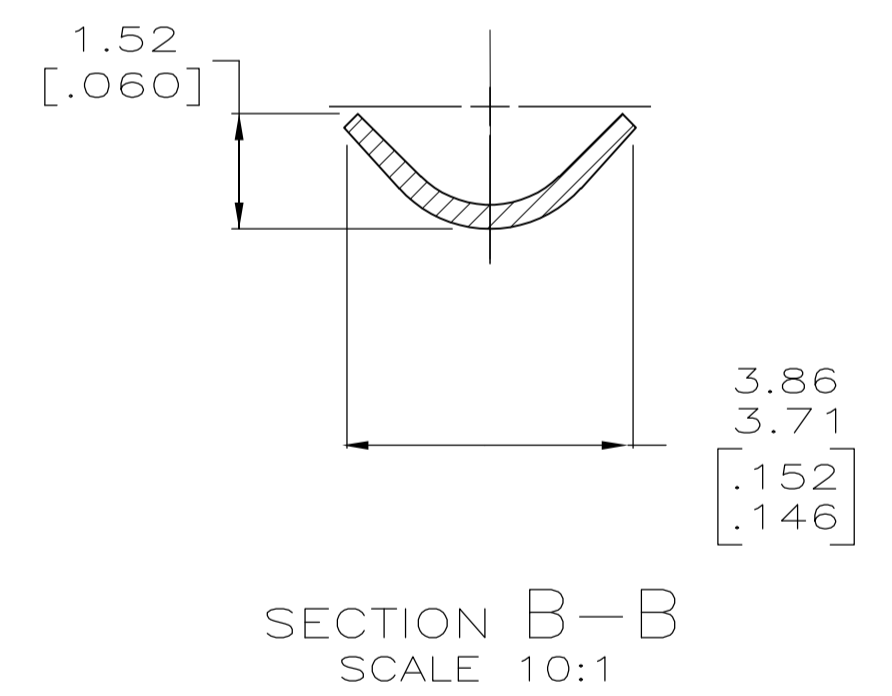
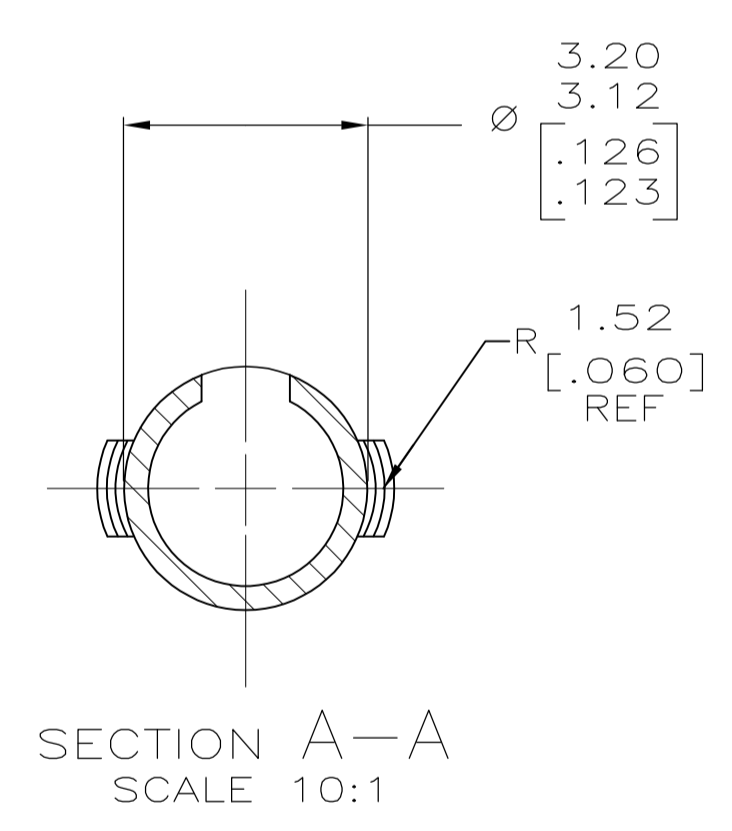
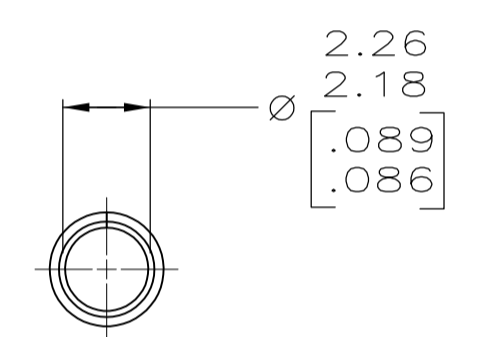
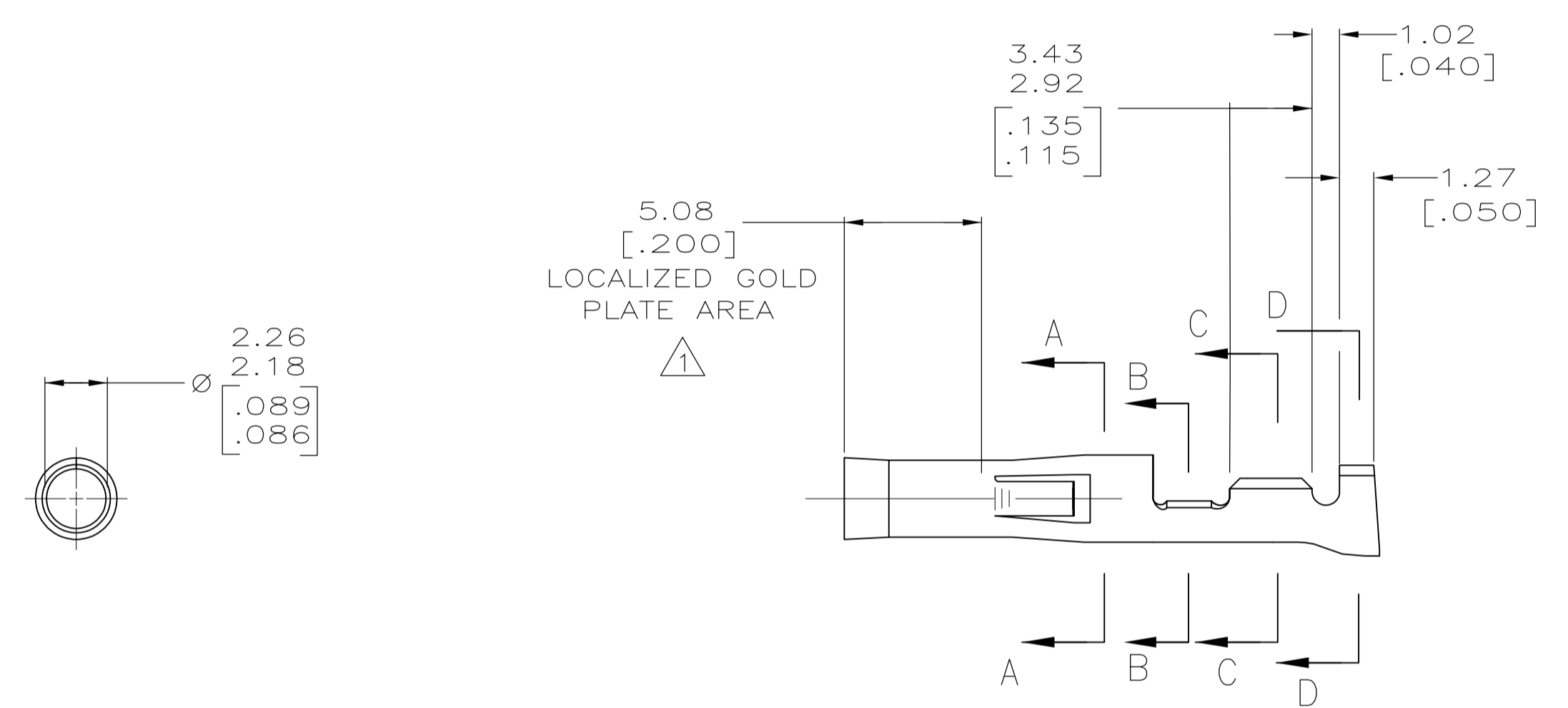
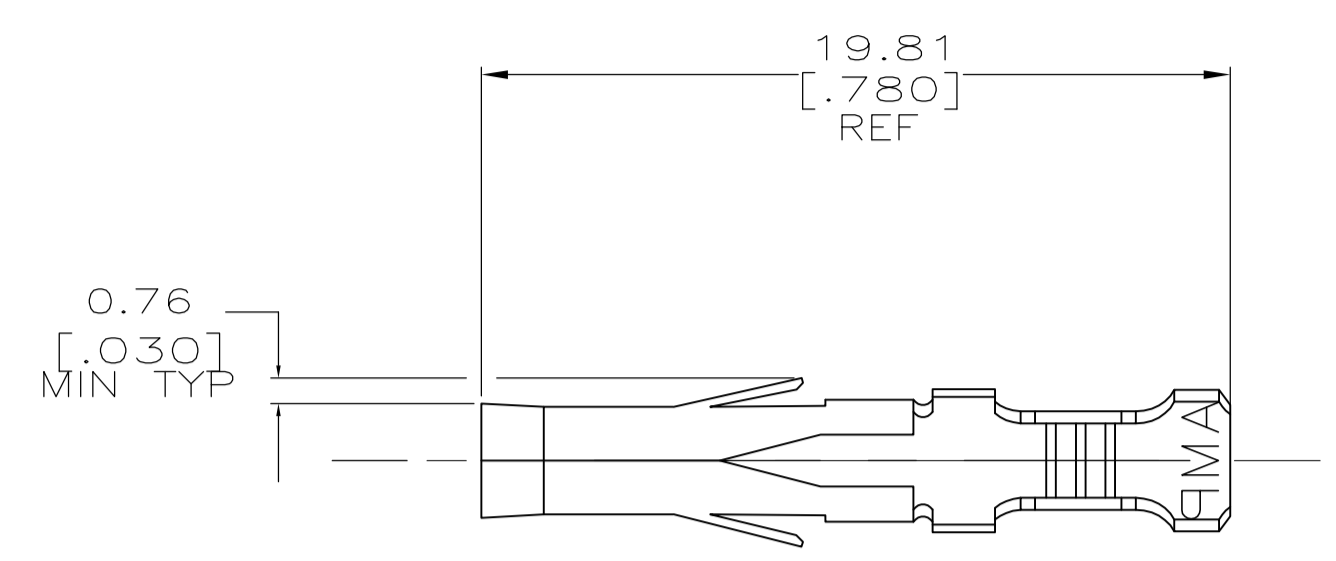


LOC		DIST		REVISIONS			
P	LTR	DESCRIPTION	DATE	DWN	APVD		
G1		REVISED PER ECO-11-005027	11MAR11	RK	HMR		

- ① 0.00127 [.000050] MIN GOLD IN LOCALIZED GOLD PLATE AREA OVER 0.00127 [.000050] MIN NICKEL.
- ② 0.00127 [.000050] NICKEL PLATE ON ENTIRE CONTACT WITH 0.000762 [.000030] GOLD PLATE ON INSIDE OF RECEPTACLE AND GOLD FLASH ON REMAINDER OF CONTACT.
- 3 WIRE RANGE: 0.3 - 0.84mm<sup>2</sup> (24-18 AWG).
- 4 INSULATION RANGE: 2.79 [.110] MAX. DIA.
- 5 DIMENSIONS IN BRACKETS ARE IN INCHES.



**METRIC**

②	0.25 [.010] BRASS	770146-5
①	0.25 [.010] BRASS	770146-3
PRE-TIN	0.25 [.010] BRASS	770146-1
FINISH	MATERIAL	PART NO

THIS DRAWING IS A CONTROLLED DOCUMENT.		DWN K. WHITAKER 19JUN2007	TE Connectivity	
DIMENSIONS: mm [INCHES]		CHK C. CASH 19JUN2007		
TOLERANCES UNLESS OTHERWISE SPECIFIED:		APVD C. CASH 19JUN2007	NAME SOCKET, .093, LOOSE PIECE, COMMERCIAL PIN AND SOCKET	
0. PLC ± -		PRODUCT SPEC	SIZE CASE CODE DRAWING NO	
1. PLC ± -		APPLICATION SPEC	RESTRICTED TO	
2. PLC ± 0.13 [.005]		WEIGHT	A1 00779 C=770146	
3. PLC ± -		CUSTOMER DRAWING	SCALE 5:1 SHEET 1 OF 1 REV G1	
4. PLC ANGLES ± -				