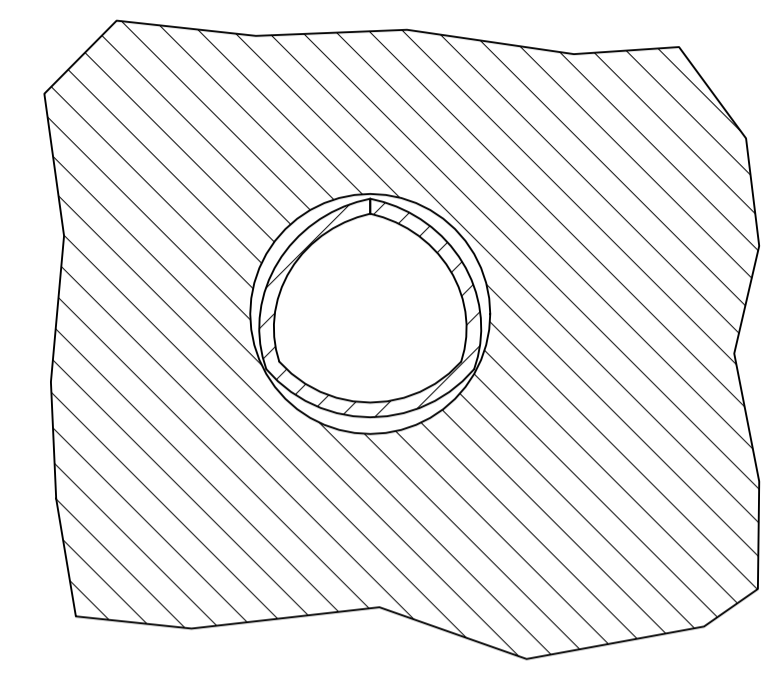
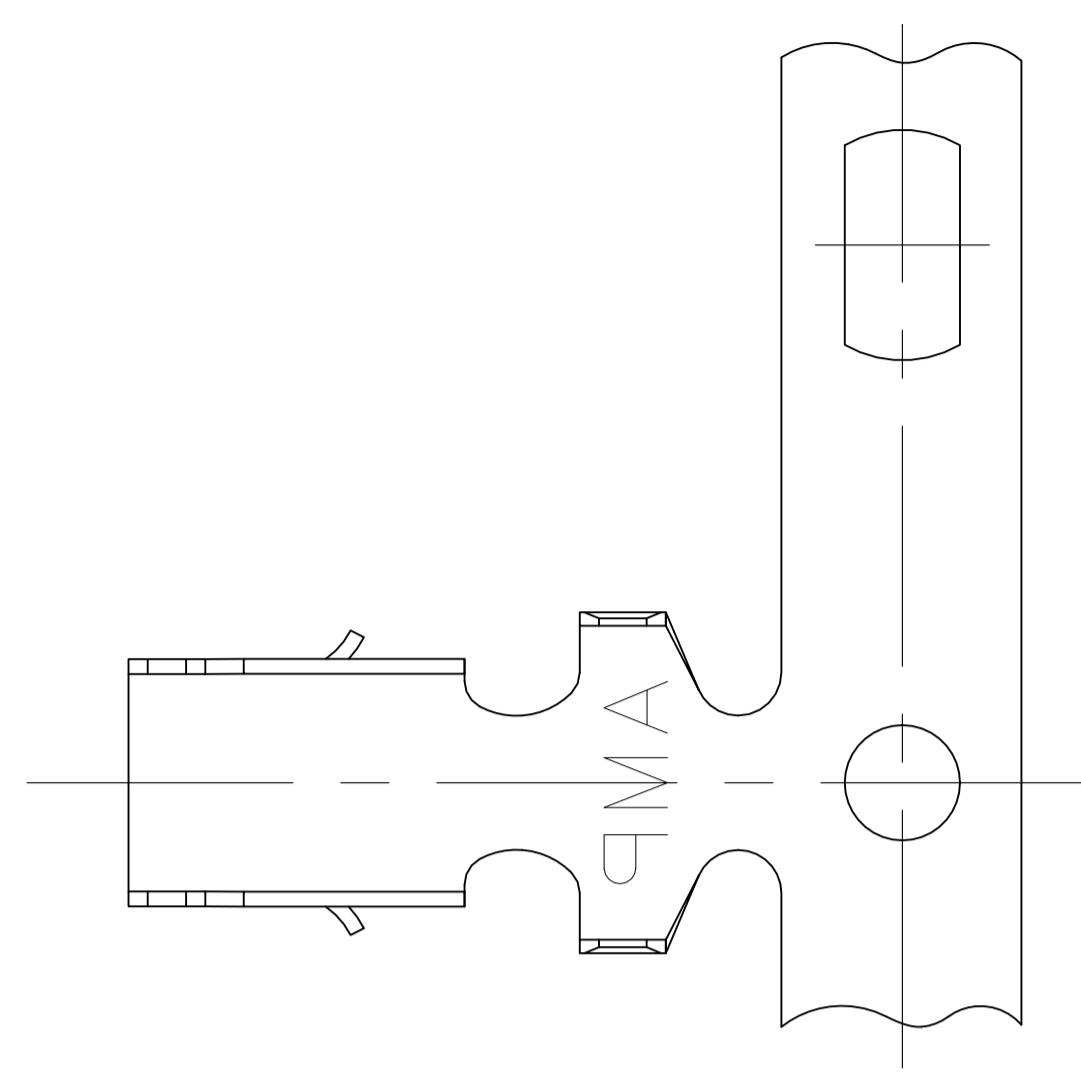
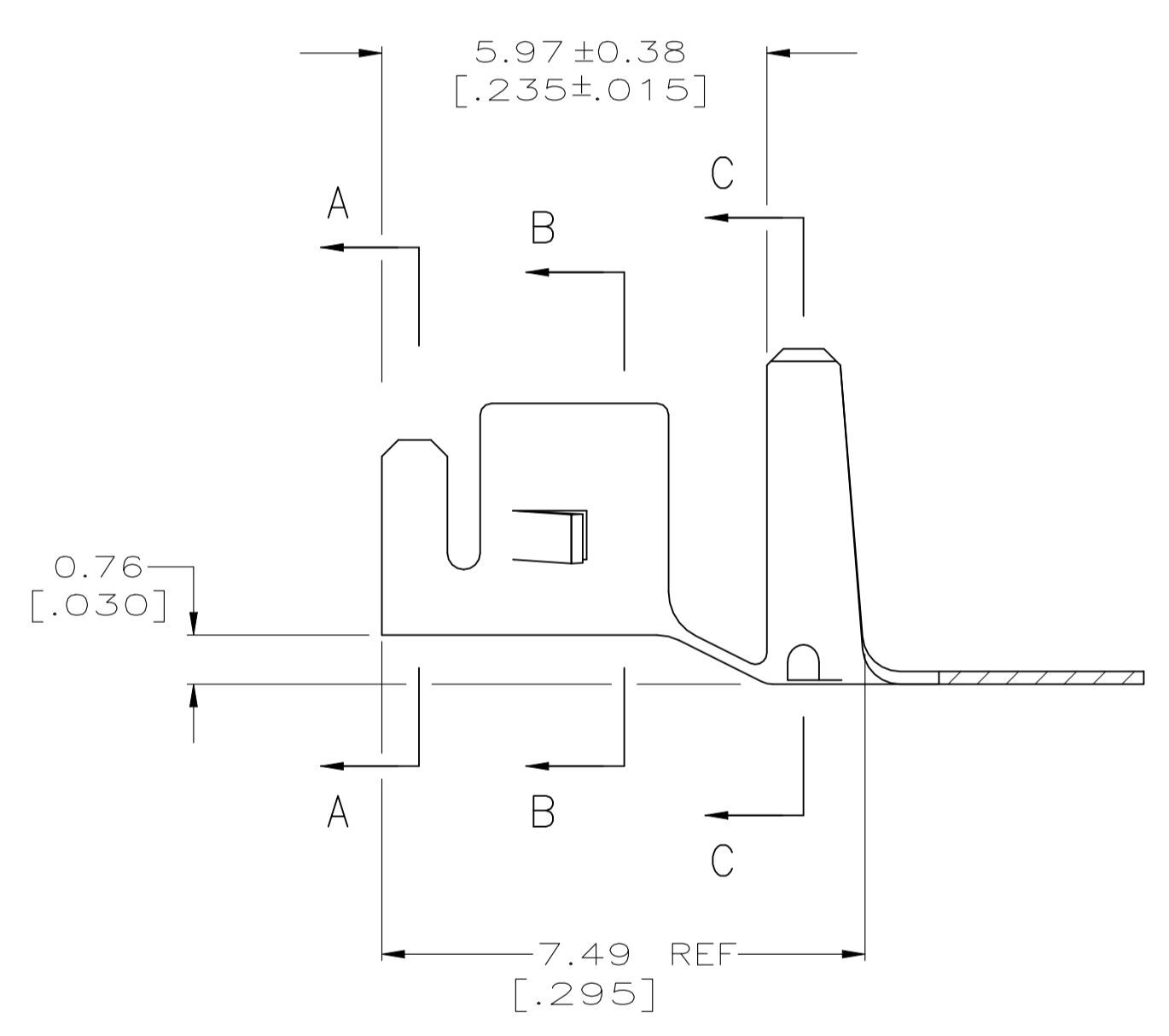


REVISIONS				
P	LTR	DESCRIPTION	DATE	APVD
S		REVISED PER ECR-24-206699	04JUL2024	SK JP

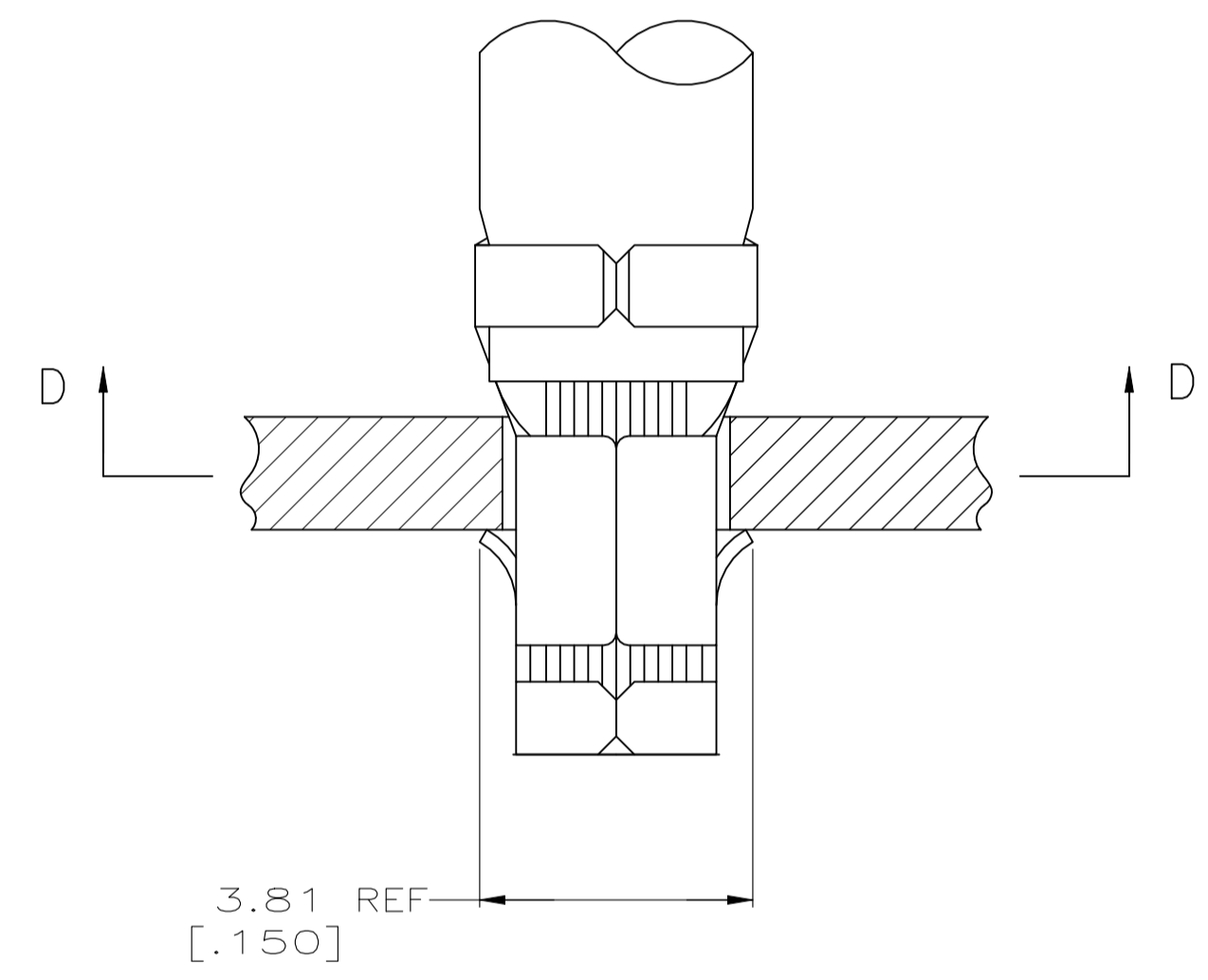
- 1 PARTS COMPLY WITH AMP SOLDERABILITY SPEC 109-11-3.
- 2 0.00508 [.000200] MIN BRIGHT TIN-LEAD.
- 3 WIRE RANGE: 0.80 - 2.6 mm² [18 - 13 AWG].
- 4 INSULATION RANGE: 2.29 - 3.81 [.090 - .150] DIA.
- 5 DIMENSIONS IN BRACKETS ARE IN INCHES.
- 6 0.00508 [.000200] MIN BRIGHT TIN.



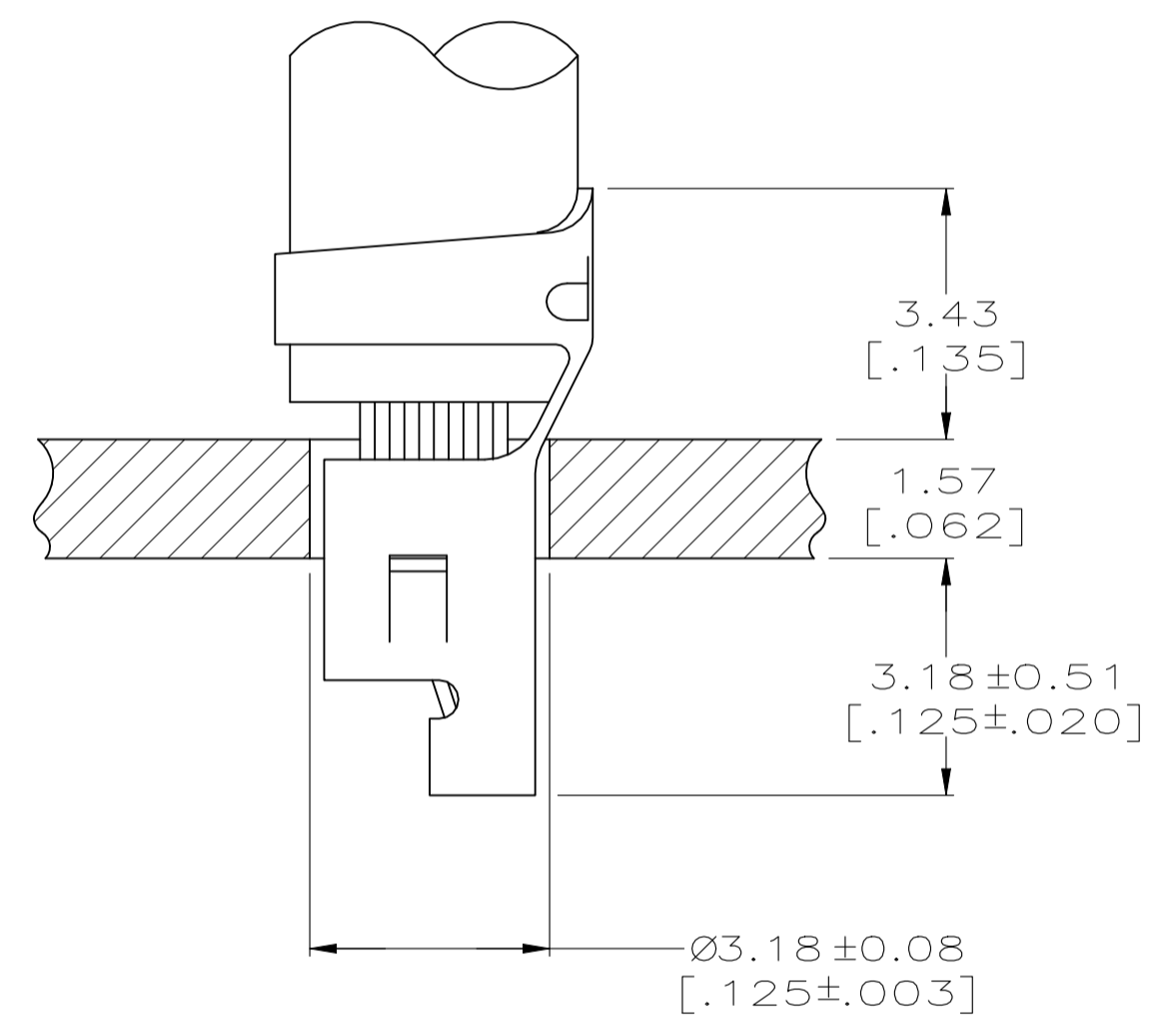
SECTION D-D



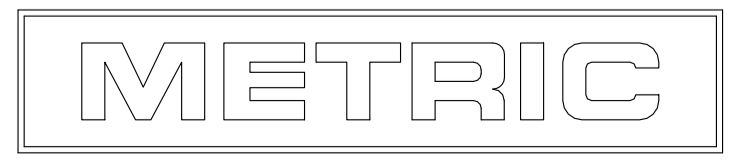
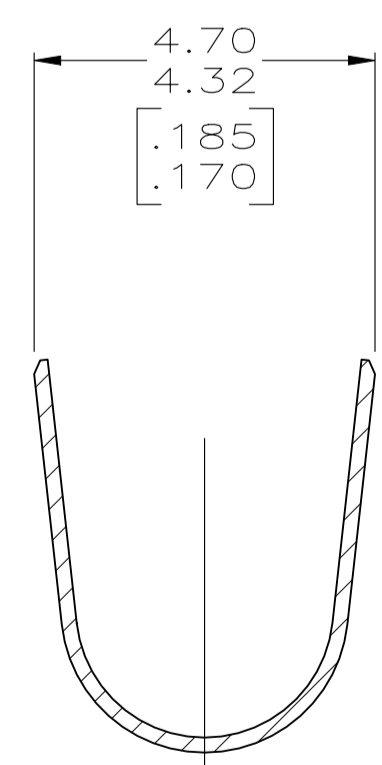
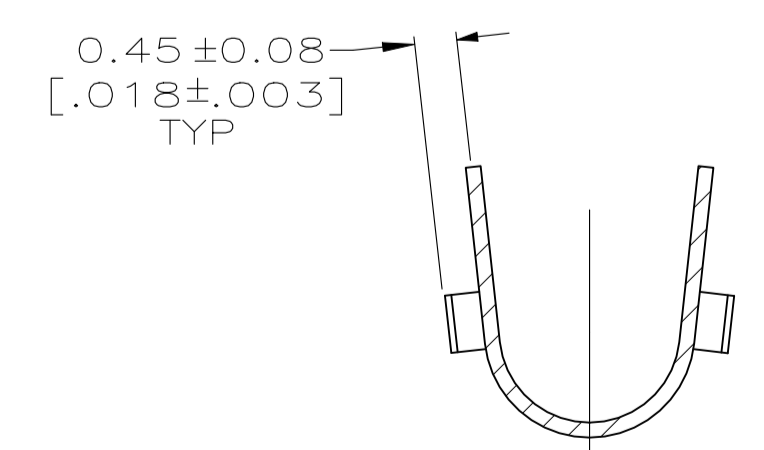
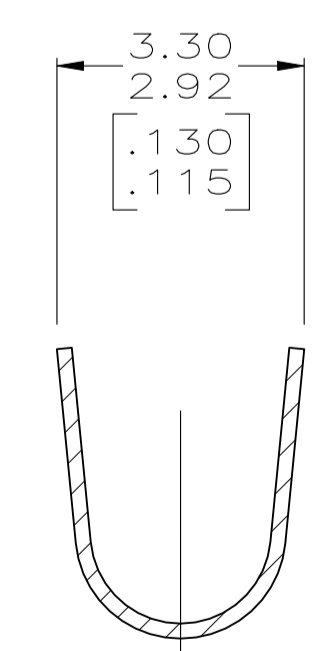
SECTION A-A



SECTION B-B



SECTION C-C



6	3-770060-1
2	-770060-1
FINISH	PART NO.

SUPERSEDED BY
3-770060-1

THIS DRAWING IS A CONTROLLED DOCUMENT.		DIN S. CARPENTER 22AUG2003		TE Connectivity	
DIMENSIONS: INCHES		CHK: J. ELLIS 22AUG2003		NAME: TERMINAL, AMP-IN	
TOLERANCES UNLESS OTHERWISE SPECIFIED:		APVD: J. ELLIS 22AUG2003		PRODUCT SPEC: 108-1081	
0. PLC ±		APPLIC. SPEC: 114-1016		SIZE: A1	
1. PLC ± 0.13 [.005]		WEIGHT: 0		CAGE CODE: 00779	
2. PLC ±		DRAWING NO: 770060		RESTRICTED TO: -	
3. PLC ±		CUSTOMER DRAWING		SCALE: 10:1	
4. PLC ANGLES ±		SHEET: 1 of 1		REV: S	
MATERIAL: 0.198 [.0078] PH BRZ		FINISH:		SHEET: 1 of 1	