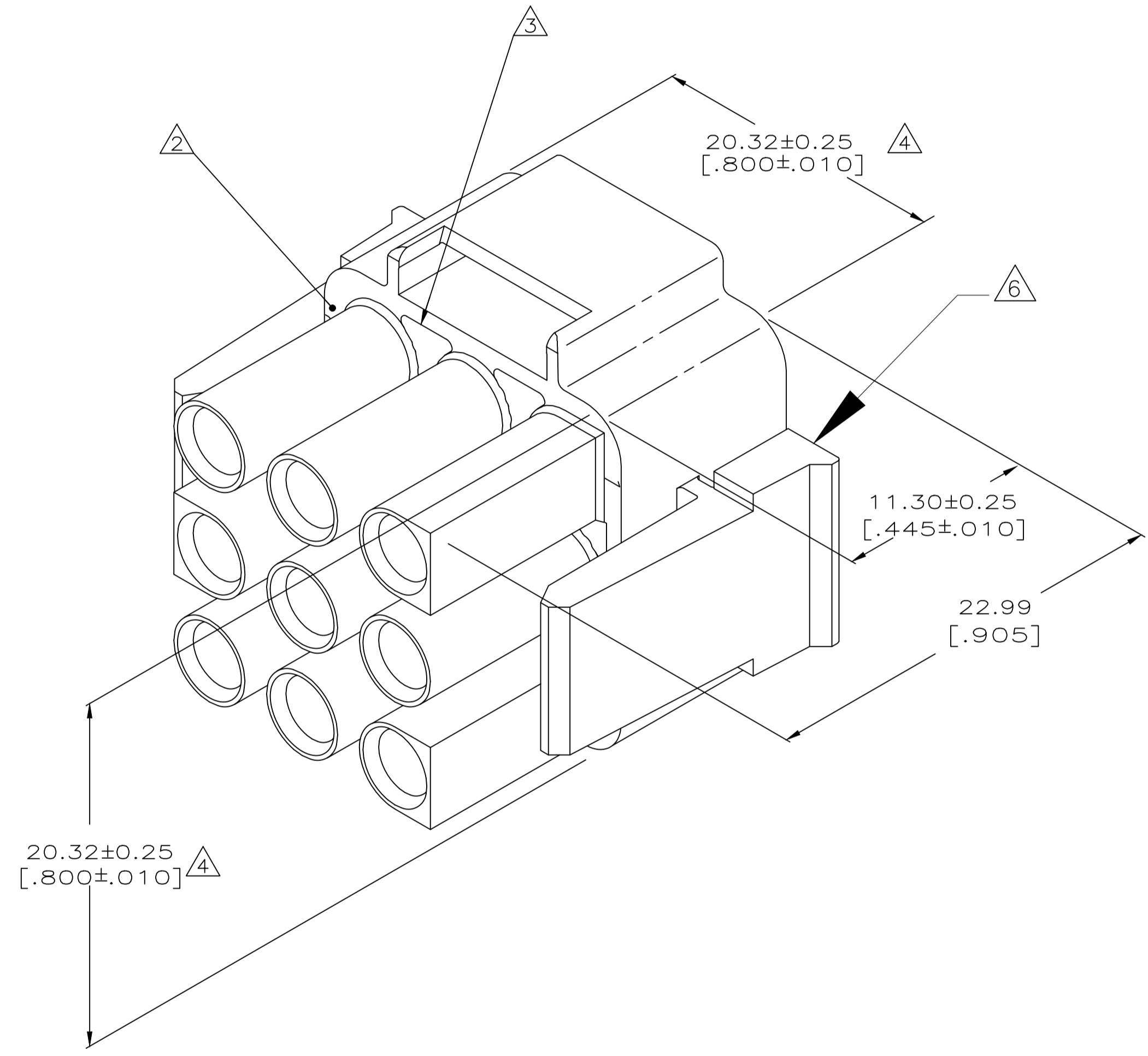


REVISIONS					
P	LTR	DESCRIPTION	DATE	DWN	APVD
F1		REV.ECO 17-011267	12SEP2017	HC	KR



1. MUST BE ASSEMBLED WITH PLUG REAR P/N 770040-1 BEFORE MATING. KIT P/N IS 770021-1.
- 2 AMP LOGO LOCATED THIS SURFACE.
- 3 NEW MOLD CONSTRUCTION PROVIDES MATERIAL REDUCTION CORING AT BASE OF SILOS WITH NO CORING AS OPTIONAL.
- 4 DIMENSION INDICATED IS AS MOLDED. ADDITIONAL GROWTH DUE TO SUBSEQUENT MOISTURE ABSORPTION MAY OCCUR.
5. DIMENSIONS IN BRACKETS ARE IN INCHES.
- 6 CSA CERTIFICATION LOGO LOCATED APPROXIMATELY AS SHOWN

770039-1
PART NUMBER

METRIC

THIS DRAWING IS A CONTROLLED DOCUMENT.		DWN K. SALMON 1-15-92		
		CHK R. SWING 1-15-92		
DIMENSIONS: INCHES		APVD M. TRULL 1-16-92	NAME PLUG FRONT, 9 CIRCUIT, UNIVERSAL MATE-N-LOK II™	
TOLERANCES UNLESS OTHERWISE SPECIFIED:		PRODUCT SPEC	APPLICATION SPEC	
0 PLC ± -		RESTRICTED TO		
1 PLC ± -		SIZE CAGE CODE DRAWING NO		
2 PLC ± -		A1 00779 C=770039		
3 PLC ± 0.13 [.005]		WEIGHT		
4 PLC ± - ± -		CUSTOMER DRAWING SCALE 5:1 SHEET 1 OF 1 REV F1		
ANGLES				
FINISH				
MATERIAL NYLON,UL94V-0,				