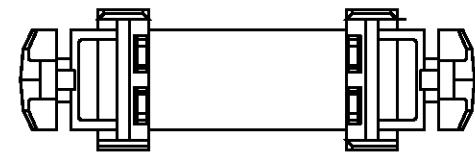
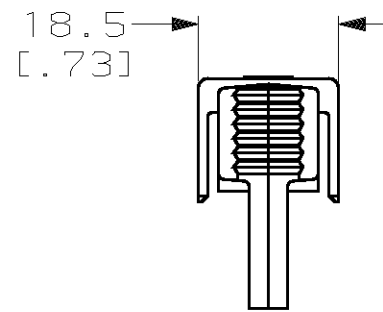
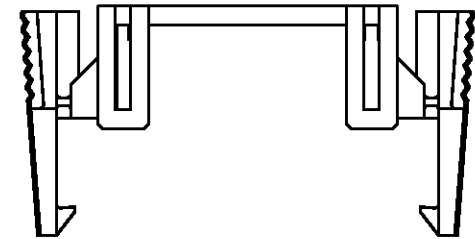
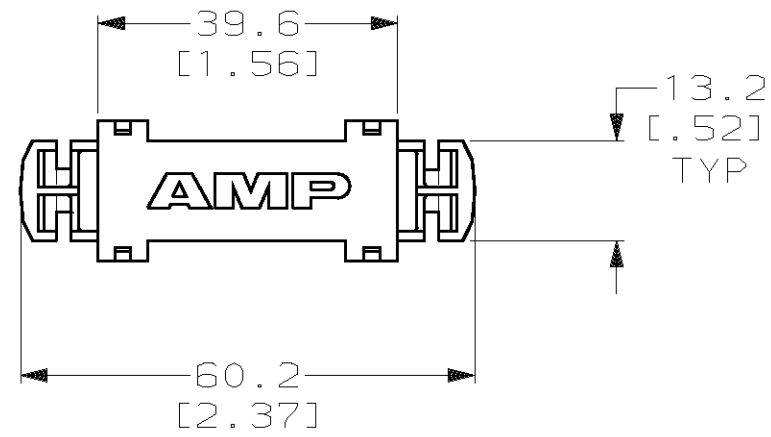


THIS DRAWING IS UNPUBLISHED. RELEASED FOR PUBLICATION, 19 .

© COPYRIGHT 19 BY AMP INCORPORATED. ALL INTERNATIONAL RIGHTS RESERVED.

AMPOWER Is a registered trademark of AMP Incorporated.

LOC	DIST	P	F	ZONE	LTR	DESCRIPTION	DATE	APPD
CH	1				C	ECN 0B20-1509-98	11NOV98	JEL



THIS DRAWING IS A CONTROLLED DOCUMENT FOR AMP INCORPORATED. IT IS SUBJECT TO CHANGE AND THE CONTROLLING ENGINEERING ORGANIZATION SHOULD BE CONTACTED FOR THE LATEST REVISION.

DO NOT SCALE PRINT. UNLESS SPECIFIED DIMENSIONS IN mm [INCHES] TOLERANCES ON:		DR D. PUERNER 09-15-92		AMP Incorporated Harrisburg, PA 17105-3608	
1 PLC DEC ± 0.5 [.010]		CHK -			
2 PLC DEC ± 0.25 [.005]		APPD -		NAME AMPOWER Wave Crimp System	
ANGLES ± -		APPD -		STRAIN RELIEF, 2 CABLE DRAWER CONN W/ LATCHES	
MATERIAL	GLASS FILLED NYLON COLOR: BLACK	PRODUCT SPEC	108-1319	SIZE	B
FINISH	-	APPLICATION SPEC	114-49005	CAGE CODE	00779
		WEIGHT	-	DRAWING NO	765529
				SCALE	FULL
				SHEET	1 OF 1

765529-1

PART NO