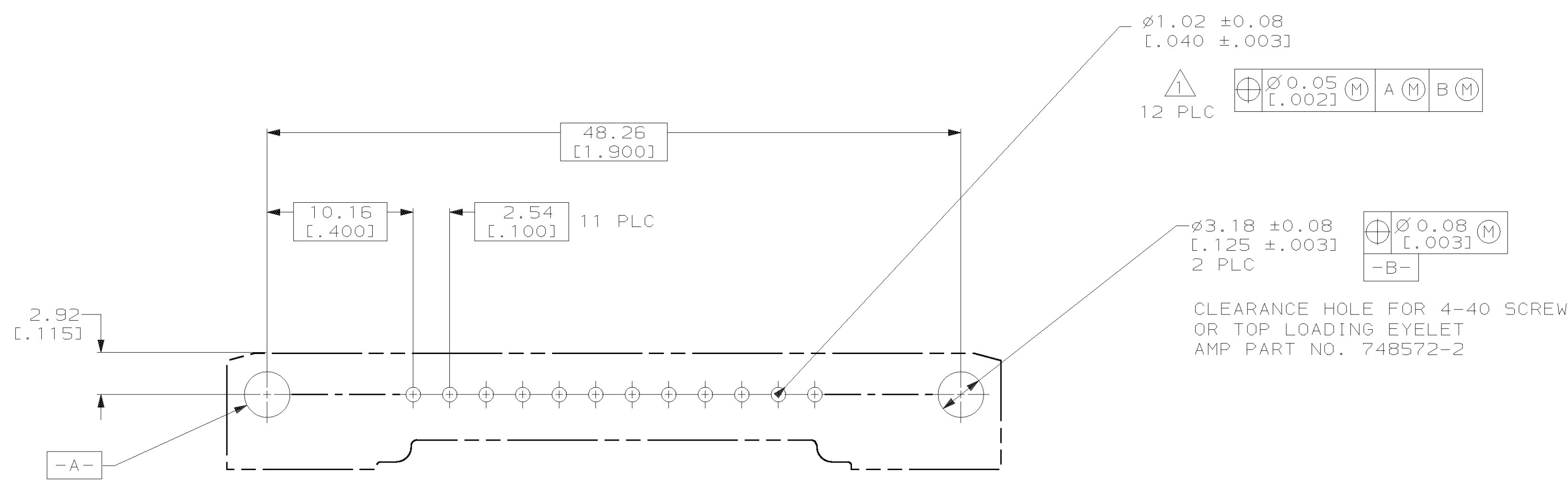
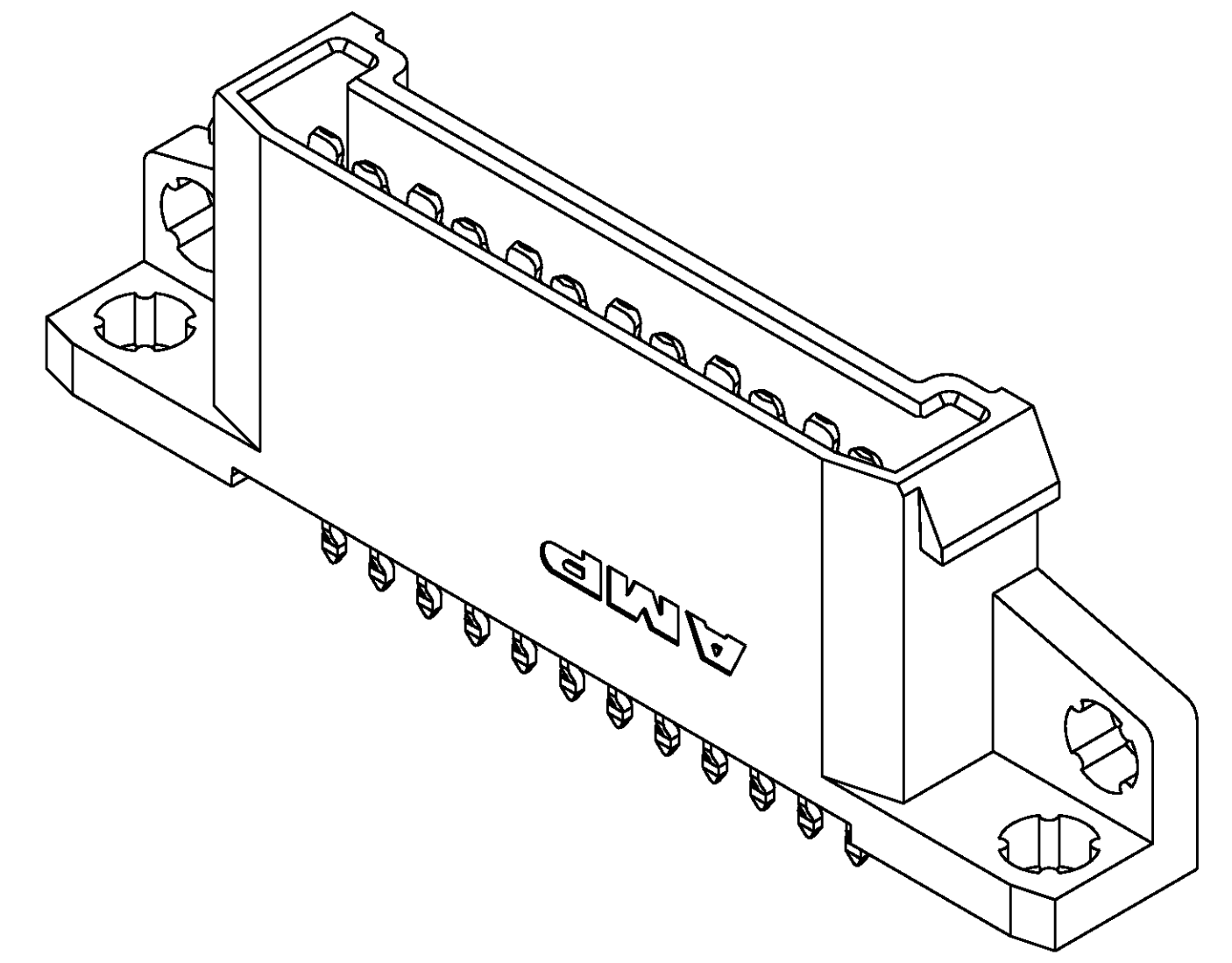
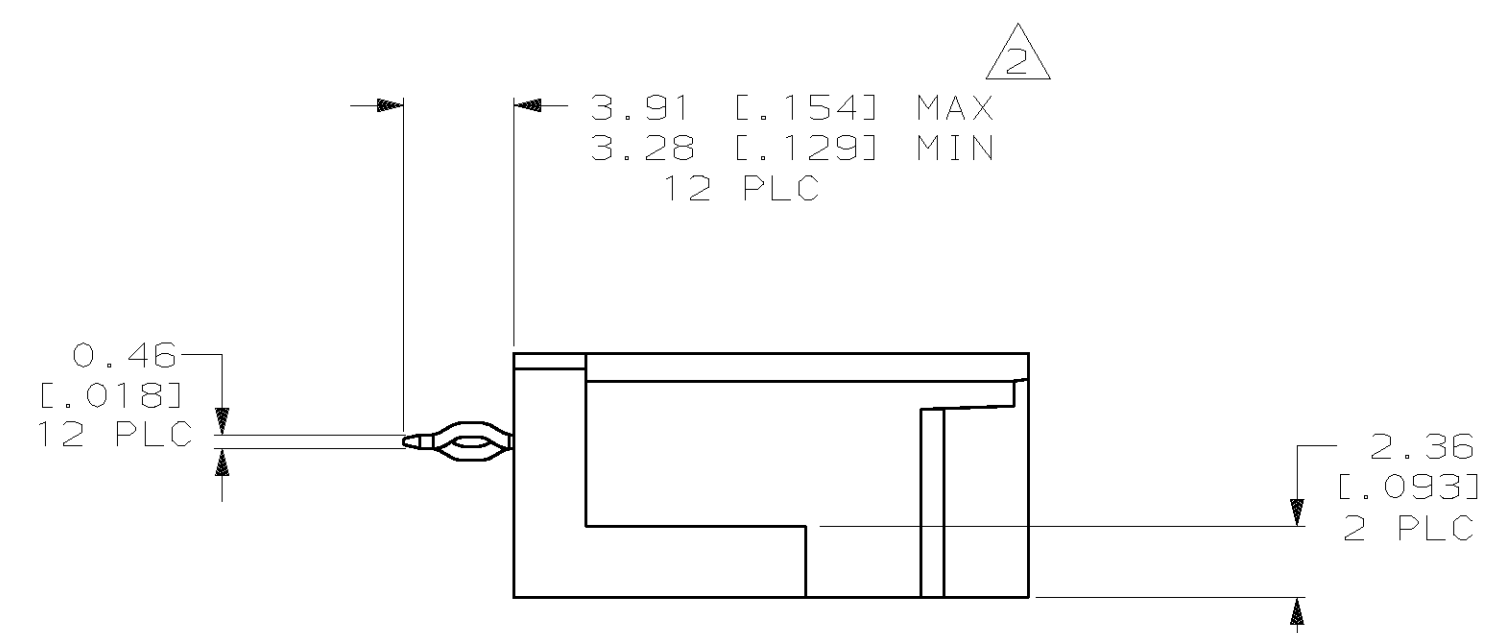
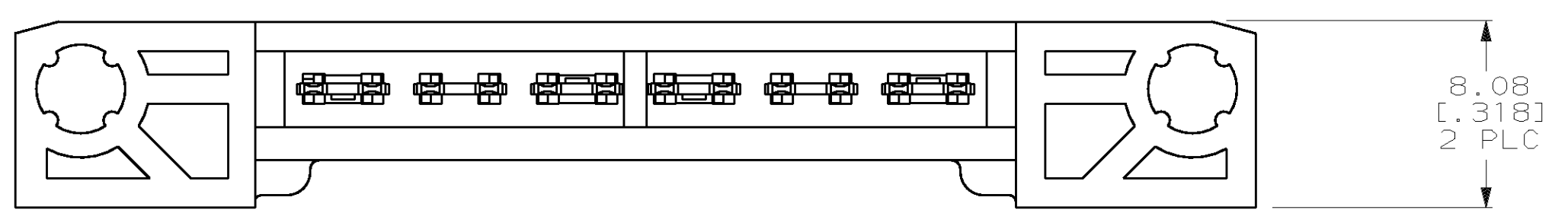
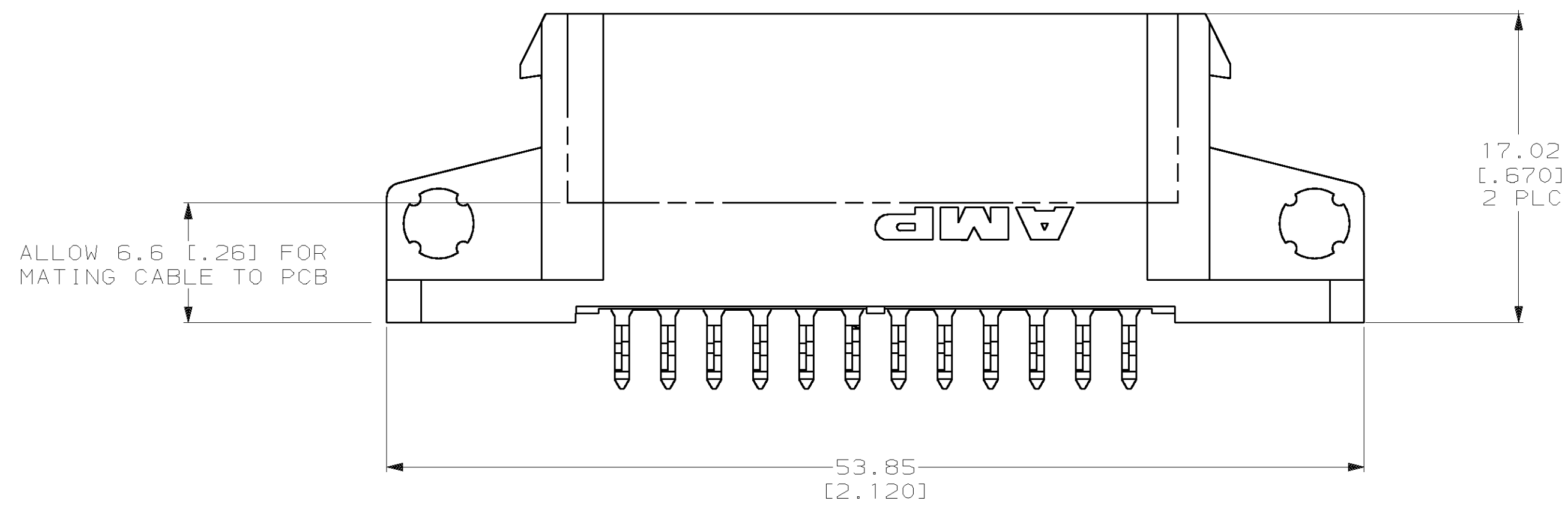


LOC		DIST		P		F		ZONE		LTR		REVISIONS			
CH		1										DESCRIPTION	DATE	APPD	
												C	ECN 0B20-1422-98	230C198	JEL

△ HOLE DIAMETER AFTER PLATING.
 △ FOR 2.36 [.093] AND THICKER PCB'S.



DESCRIPTION		PART NO	
765271-1		765271-1	
DO NOT SCALE PRINT. UNLESS SPECIFIED DIMENSIONS IN mm [INCHES] TOLERANCES ON : 2 PLC DEC ±0.25 [.01] 3 PLC DEC ±0.13 [.005] ANGLES ± -		AMP INCORPORATED Harrisburg, Pa. 17105	
DR 07-09-91 D. BABOW	CHK 07-10-91 RAJ	NAME AMPOWER Wave Crimp System* ACTION PIN* HDR ASSY, VERT 2.54 [.100"] CENTERLINES	
APPD 07-10-91 DEP	APPD 07-10-91 JEL	PRODUCT SPEC 108-1410	
MATERIAL HOUSING: POLYESTER CONTACT: COPPER ALLOY	APPLICATION SPEC 114-49005	SIZE D	CAGE CODE 00779
FINISH SILVER ON MATING END, TIN-LEAD ON SOLDER TAILS. ALL OVER NICKEL.	WEIGHT -	DRAWING NO 765271	SHEET 1 OF 1
		SCALE 4:1	

THIS DRAWING IS A CONTROLLED DOCUMENT FOR AMP INCORPORATED. IT IS SUBJECT TO CHANGE AND THE CONTROLLING ENGINEERING ORGANIZATION SHOULD BE CONTACTED FOR THE LATEST REVISION.