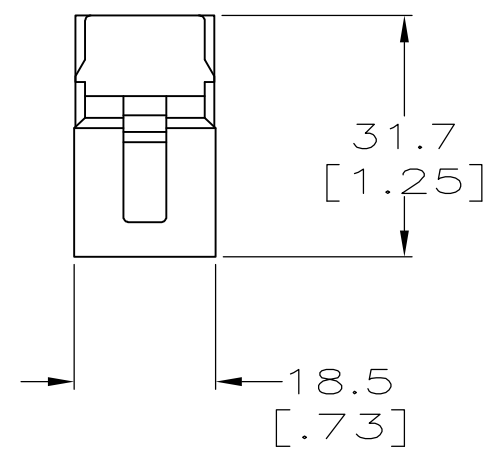
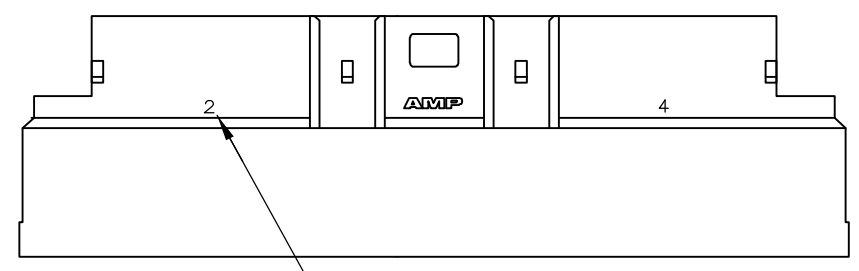
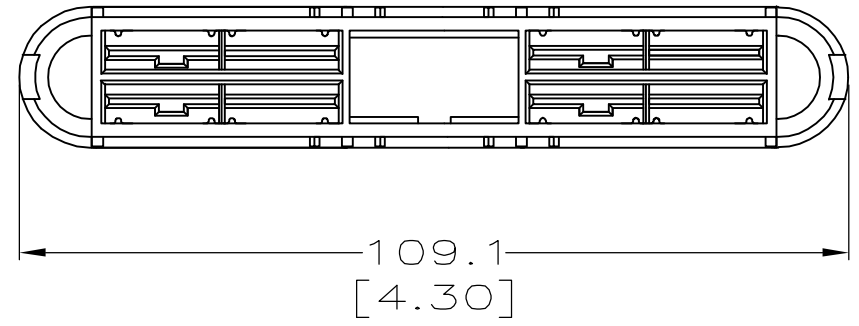


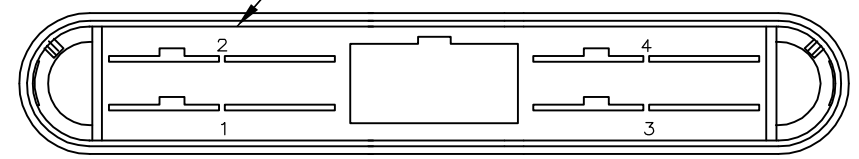
THIS DRAWING IS UNPUBLISHED. RELEASED FOR PUBLICATION
 © COPYRIGHT - BY TYCO ELECTRONICS CORPORATION. ALL RIGHTS RESERVED.

LOC	DIST	REVISIONS			
P	LTR	DESCRIPTION	DATE	DWN	APVD
GP	00	L	REVISE PER 06-025040 ECO	27/OCT/06	ECC JS

AMPOWER Is a registered trademark of AMP Incorporated.



CONTACT CAVITY IDENTIFIERS



765261-1

THIS DRAWING IS A CONTROLLED DOCUMENT.		DWN 4-15-91 D. SZCZESNY	Tyco Electronics Corporation Harrisburg, PA 17105-3608	
DIMENSIONS: mm [INCHES]		CHK 4-22-91 R. JAYNE	NAME AMPOWER Wave Crimp System RECEPTACLE, DRAWER CONN, W/SENSE LINES	
TOLERANCES UNLESS OTHERWISE SPECIFIED:		APVD - D. PETRIE 4-23-91	PRODUCT SPEC - 108-1319	
0 PLC ± - 1 PLC ± - 2 PLC ± 0.50 [.010] 3 PLC ± 0.25 [.005] 4 PLC ± - ANGLES ± -		APPLICATION SPEC 114-49005	SIZE A3	CAGE CODE 00779
MATERIAL BLACK THERMOPLASTIC	FINISH -	WEIGHT -	DRAWING NO C-765261	RESTRICTED TO -
CUSTOMER DRAWING			SCALE FULL	SHEET 1 OF 1
			REV L	