

4

3

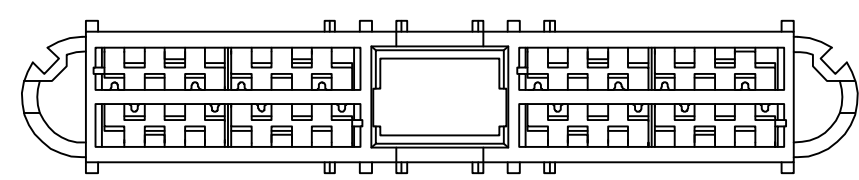
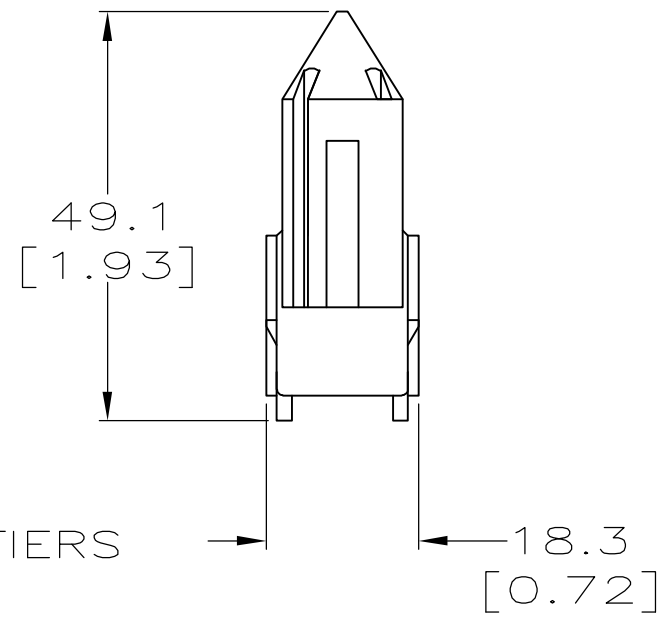
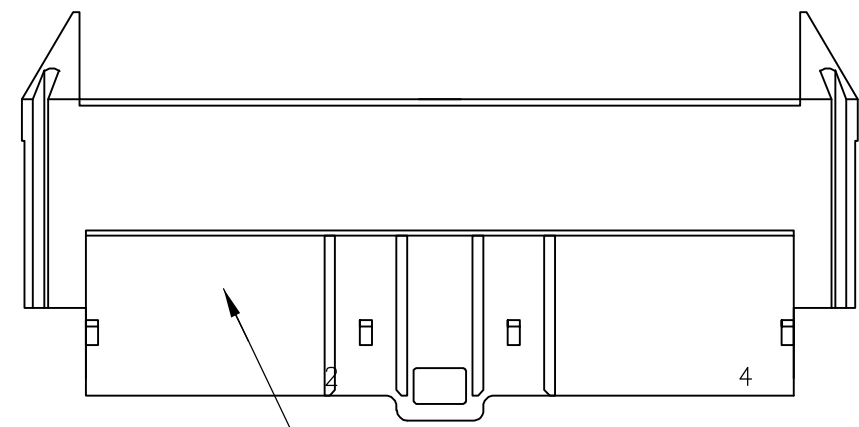
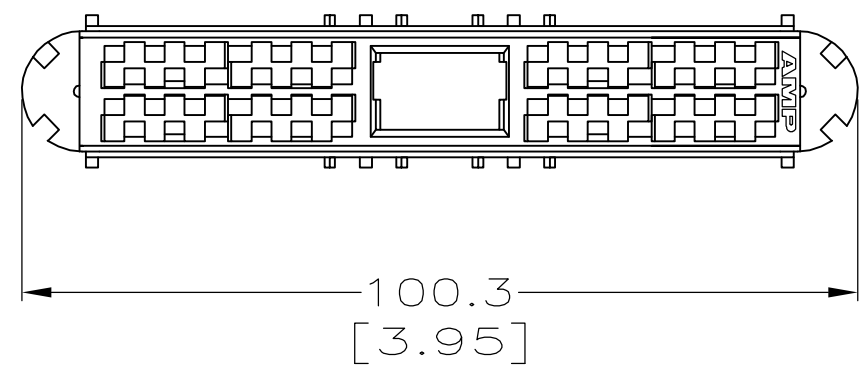
2

1

THIS DRAWING IS UNPUBLISHED. RELEASED FOR PUBLICATION
 © COPYRIGHT - BY TYCO ELECTRONICS CORPORATION. ALL RIGHTS RESERVED.

LOC	DIST	REVISIONS			
P	LTR	DESCRIPTION	DATE	DWN	APVD
GP	00	G	REVISE PER 07-003208 ECO	09/FEB/07	ECC JS

AMPOWER Is a registered trademark of AMP Incorporated.



CONTACT CAVITY IDENTIFIERS

MEETS REQUIREMENTS OF EU DIRECTIVE 2002/95/EC.

765241-1
 TYCO P/N

THIS DRAWING IS A CONTROLLED DOCUMENT.		DWN D. SZCZERNY 4-22-91	Tyco Electronics Corporation Harrisburg, PA 17105-3608	
DIMENSIONS: mm [INCHES]	TOLERANCES UNLESS OTHERWISE SPECIFIED:	CHK -	NAME AMPOWER Wave Crimp System PLUG, 4 CABLE CONN AMPOWER WAVE CRIMP SYSTEM	
	0 PLC ± -	APVD -	PRODUCT SPEC 108-1319	
	1 PLC ± -	PRODUCT SPEC	APPLICATION SPEC 114-49005	
MATERIAL BLACK THERMOPLASTIC	2 PLC ± 0.5 [.02]	WEIGHT -	SIZE A3	CAGE CODE 00779
	3 PLC ± 0.25 [.010]	CUSTOMER DRAWING	DRAWING NO G-765241	RESTRICTED TO -
4 PLC ± -	FINISH -	SCALE FULL		SHEET 1 OF 1
ANGLES ± -		REV G		