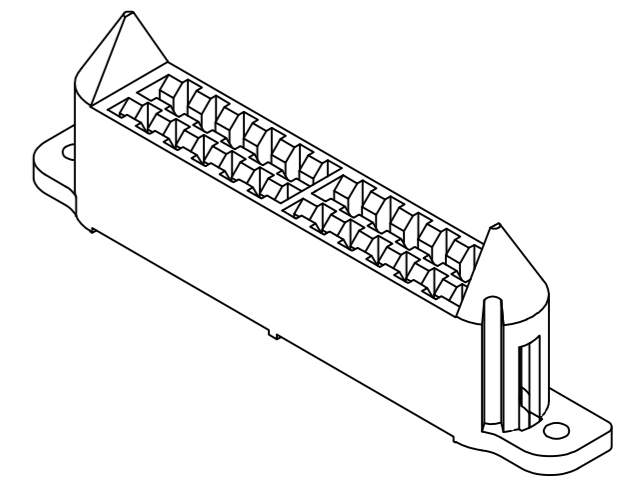
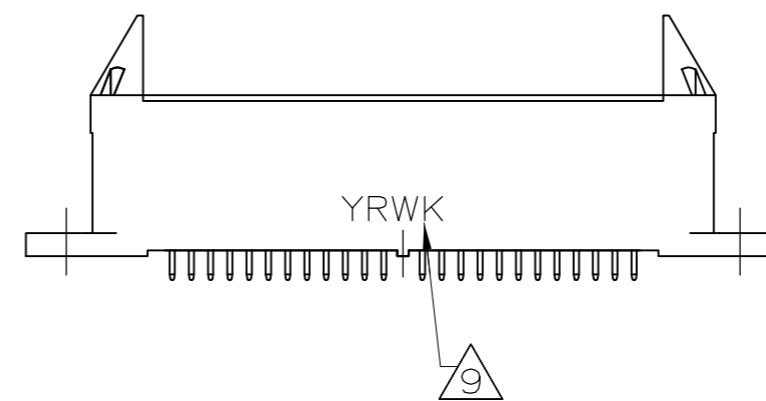
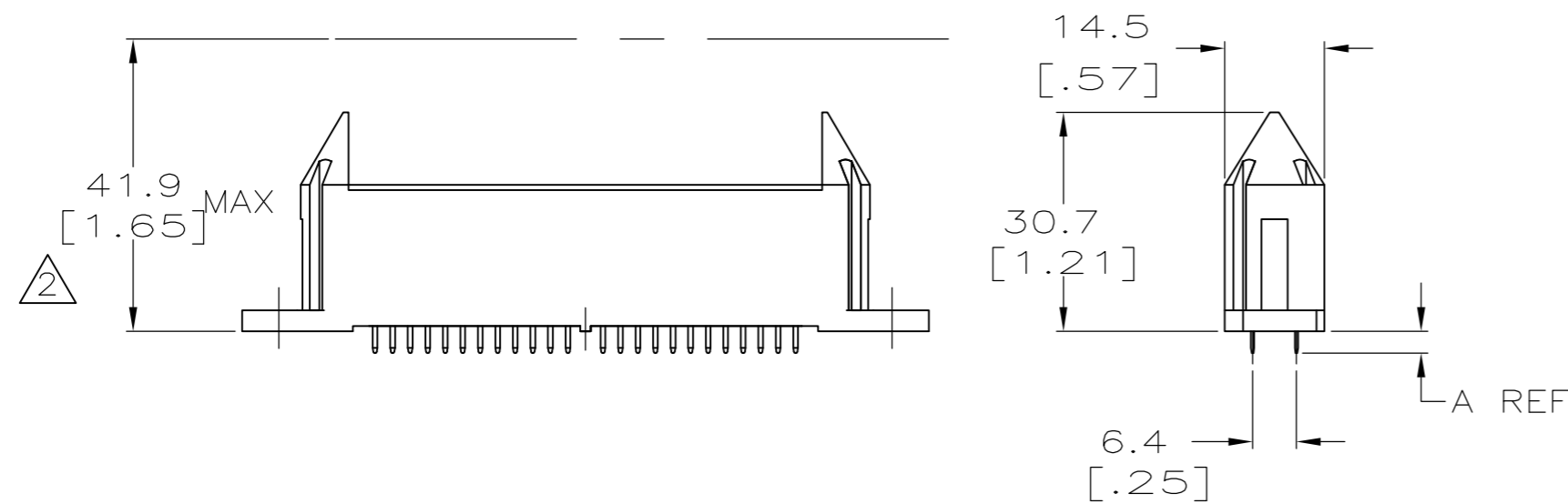
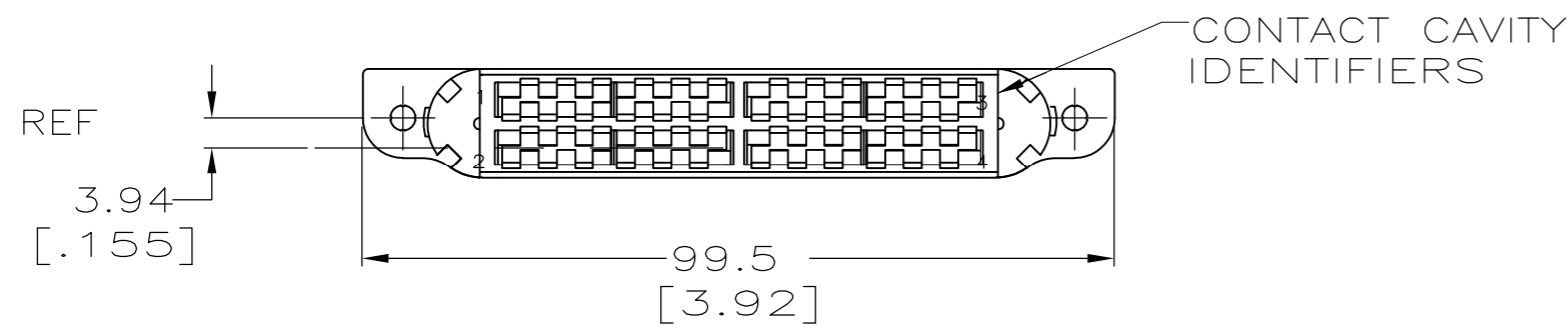
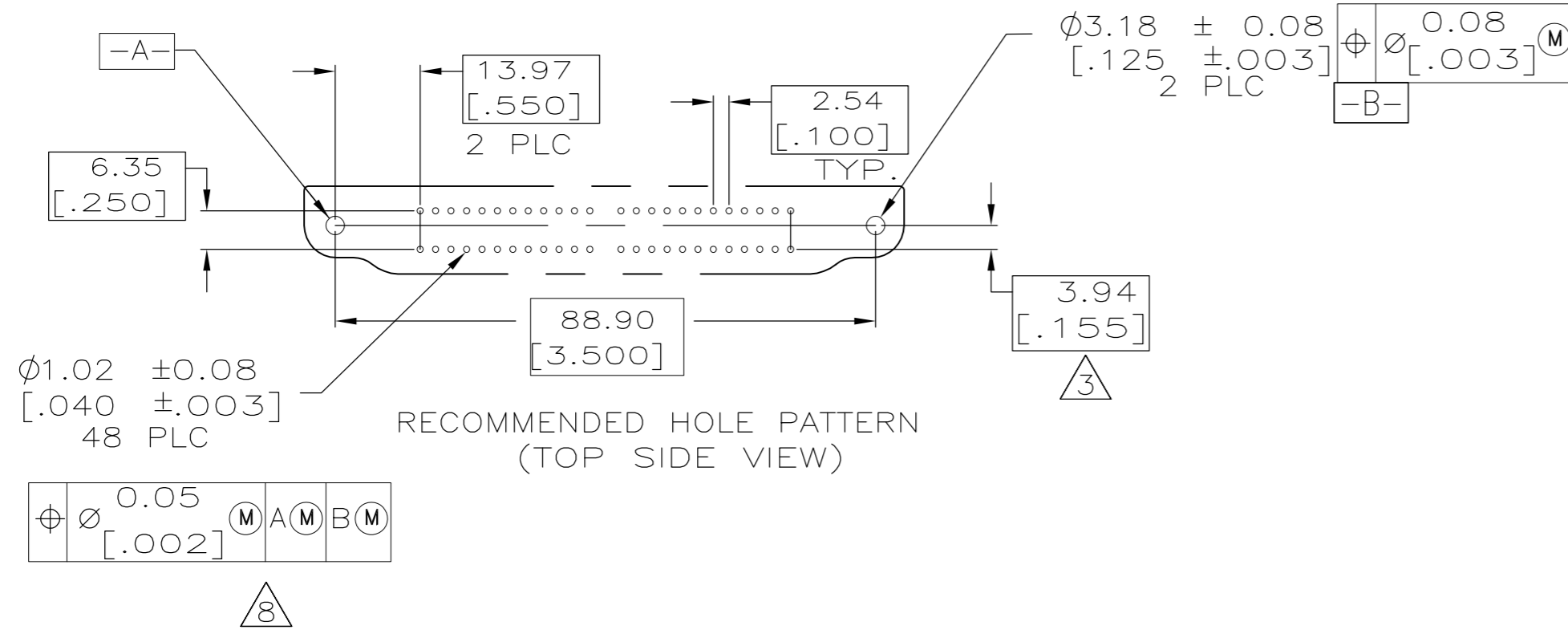


THIS DRAWING IS UNPUBLISHED. RELEASED FOR PUBLICATION  
 © COPYRIGHT BY TYCO ELECTRONICS CORPORATION. ALL RIGHTS RESERVED.

LOC		DIST		REVISIONS			
GP	00	P	LTR	DESCRIPTION	DATE	DWN	APVD
		S		REV PER ECO-10-021237	19JAN2011	RG	MS



1. MOUNTING HARDWARE, 2 #4-40 SCREWS AND NUTS OR 2 EYELETS (PN 748572-2) ARE REQUIRED.
- $\triangle 2$  HEIGHT OF MATED ASSEMBLY.
- $\triangle 3$  MOUNTING HOLES OFFSET FROM PART CL BY .76 [.030].
- $\triangle 4$  WITH ACTION PIN TAILS.
- $\triangle 7$  POWER CONTACTS-SILVER
- $\triangle 8$  HOLE DIAMETER AFTER PLATING.
- $\triangle 9$  ADD 2-DIGIT YEAR AND 2-DIGIT WEEK CODE IN CONTRASTING COLOR, INDELIBLE INK, .13" CHARACTER HEIGHT. APPROX AS SHOWN (NOTE CONDUCTOR 1&3 SIDE OF HOUSING).
- $\triangle 10$  OBSOLETE PARTS: OBSOLETE CIS STREAMLINING PER D.RENAUD/D.SINISI



$\triangle 6$	7.7 [.31]	6.35 [.250] THK PCB	765208-9
$\triangle 6$	5.9 [.24]	4.75 [.187] THK PCB	765208-8
$\triangle 6$	4.1 [.16]	3.18 [.125] THK PCB	765208-7
$\triangle 6$	3.3 [.13]	1.57-2.36 [.062-.093] THK PCB	765208-6
$\triangle 5$	---	2.36 [.093] AND THICKER PCB'S $\triangle 4$	765208-5
$\triangle 10$ INACTIVE	$\triangle 5$ 7.7 [.31]	6.35 [.250] THK PCB	-765208-4
OBSOLETE	$\triangle 5$ 5.9 [.24]	4.75 [.187] THK PCB	-765208-3
	$\triangle 5$ 4.1 [.16]	3.18 [.125] THK PCB	765208-2
	$\triangle 5$ 3.3 [.13]	1.57-2.36 [.062-.093] THK PCB	765208-1
MATERIAL	"A" DIM.	DESCRIPTION	TYCO ELECTRONICS PART NUMBER

ADDITION MAT'L INFORMATION  
 POLYESTER  $\triangle 5$   
 POLYESTER HIGH-TEMP  $\triangle 6$   
 CONTACTS- COPPER ALLOY

THIS DRAWING IS A CONTROLLED DOCUMENT.

DIMENSIONS: mm [INCHES]	TOLERANCES UNLESS OTHERWISE SPECIFIED: 0 PLC $\pm$ - 1 PLC $\pm$ - 2 PLC $\pm$ 0.25 [.010] 3 PLC $\pm$ 0.13 [.005] 4 PLC $\pm$ - ANGLES $\pm$ -	DWN D. SZCZESNY 03-20-90 CHK DEP 03-20-90 APVD D. SZCZESNY 03-20-90 PRODUCT SPEC 108-1319 APPLICATION SPEC 114-49005	Tyco Electronics Corporation Harrisburg, PA 17105-3608 NAME AMPPOWER Wave Crimp System HEADER ASSEMBLY, VERTICAL, SELF-ALIGNING
MATERIAL THREMOPLASTIC, 94V-0	FINISH $\triangle 7$	WEIGHT - CUSTOMER DRAWING	SIZE A2 CAGE CODE 00779 DRAWING NO C=765208 RESTRICTED TO - SCALE 1:1 SHEET 1 of 1 REV S

CUSTOMER DRAWING

765208