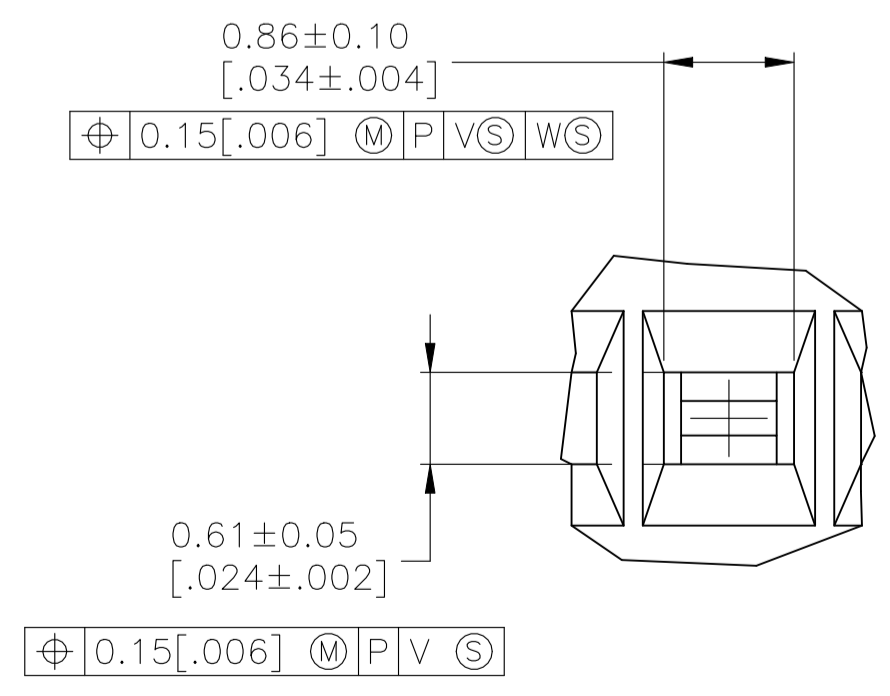
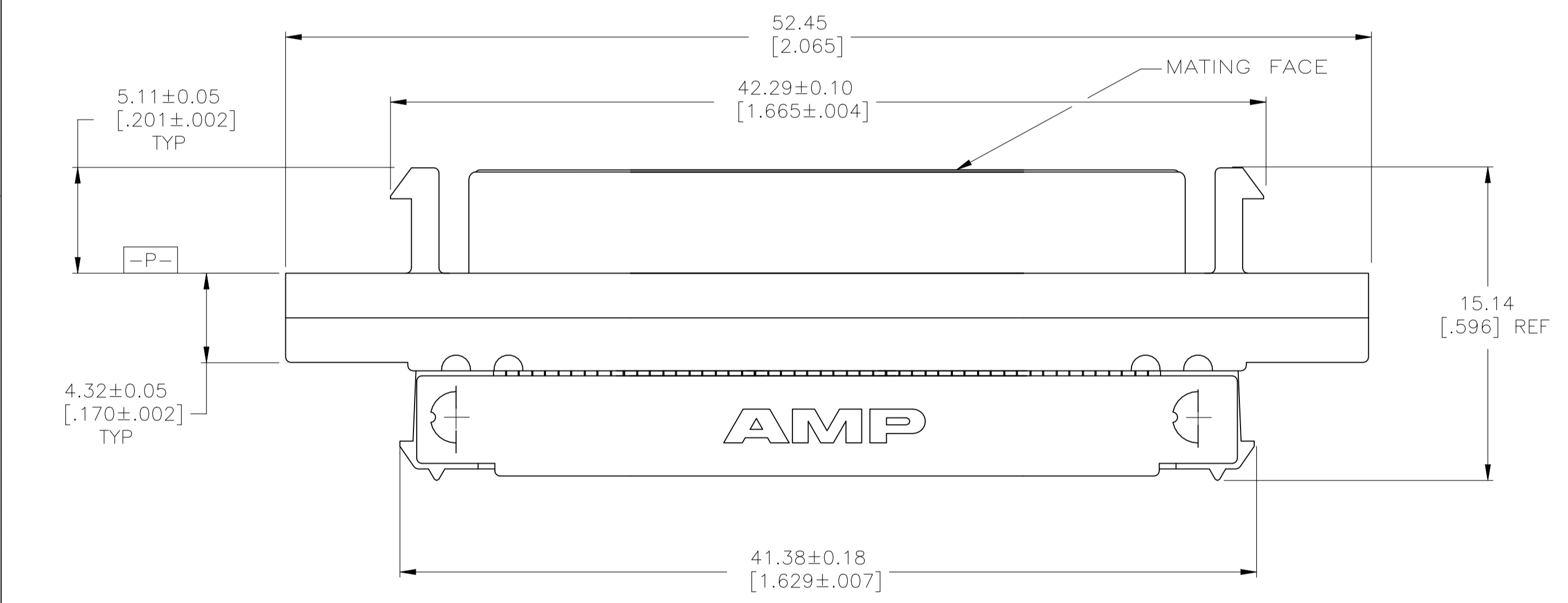
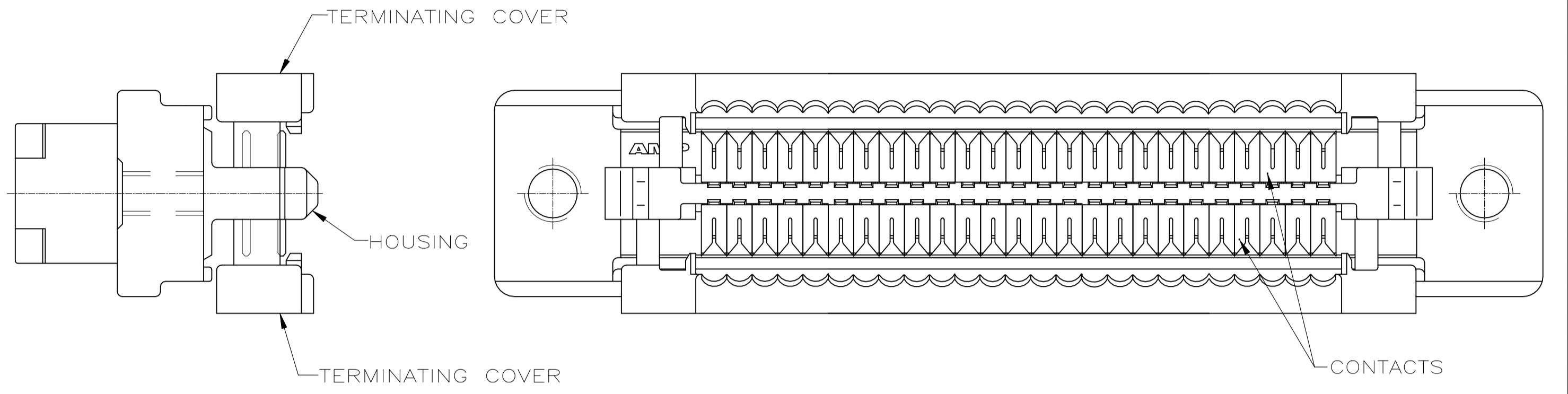
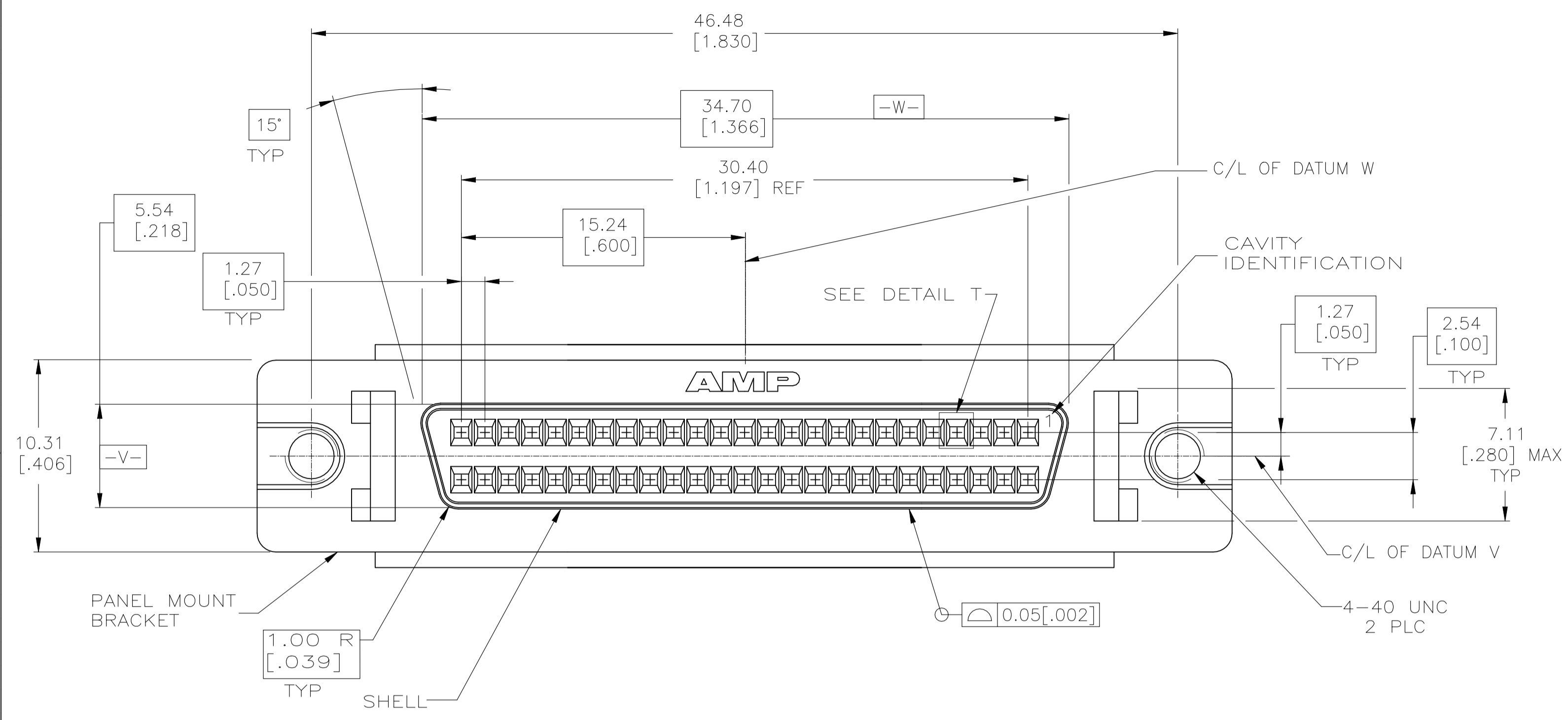


REVISIONS				
REV	DESCRIPTION	DATE	BY	APP'D
F1	REVISED PER ECN-23-237267	30OCT2023	KH	SZ



DETAIL T  
 SCALE 20:1  
 TYPICAL

1. MATERIAL-  
 CONTACTS: PHOSPHOR BRONZE.  
 SHELL: CARBON STEEL.  
 PANEL MOUNT BRACKET: ZINC.  
 HOUSING AND TERMINATION COVERS: POLYESTER 94V-0 RATE, BLACK.
2. FINISH-  
 CONTACTS: EITHER 0.76µm [.000030] MIN GOLD PLATE OR GOLD FLASH OVER PALLADIUM NICKEL PLATE, 0.76µm [.000030] MIN TOTAL FOR A LENGTH OF 0.64 [.025] MIN, 0.13 [.005] MAX FROM MATING END, 1.27µm [.000050] MIN TIN-LEAD ON OPPOSITE END FOR A LENGTH OF 2.44 [.096] MIN, BOTH OVER 1.27µm [.000050] MIN NICKEL.  
 SHELL: 5.08µm [.000200] MIN NICKEL OVER 1.27µm [.000050] MIN COPPER.  
 PANEL MOUNT BRACKET: 5.08µm [.000200] MIN NICKEL OVER 7.62µm [.000300] MIN COPPER.
3. RECOMMENDED WIRE:  
 28 AWG OR 30 AWG, SOLID OR 7 STRANDED, WITH A 0.74-0.91 [.029-.036] INSULATION DIA, OR AMP .050 CENTERLINE 28 AWG, STRANDED, PVC, FLAT GRAY RIBBON CABLE, WIRE MUST BE APPROVED BY AMP INCORPORATED.
4. FINISH-  
 CONTACTS: EITHER 0.76µm [.000030] MIN GOLD PLATE OR GOLD FLASH OVER PALLADIUM NICKEL PLATE, 0.76µm [.000030] MIN TOTAL FOR A LENGTH OF 0.64 [.025] MIN, 0.13 [.005] MAX FROM MATING END, 1.27µm [.000050] MIN TIN ON OPPOSITE END FOR A LENGTH OF 2.44 [.096] MIN, BOTH OVER 1.27µm [.000050] MIN NICKEL.  
 SHELL: 5.08µm [.000200] MIN NICKEL OVER 1.27µm [.000050] MIN COPPER.  
 PANEL MOUNT BRACKET: 5.08µm [.000200] MIN NICKEL OVER 7.62µm [.000300] MIN COPPER.

	4	5-750640-1
OBSOLETE	2	750640-1
	FINISH	PART NO

THIS DRAWING IS A CONTROLLED DOCUMENT.

DIMENSIONS: mm [INCHES]	TOLERANCES UNLESS OTHERWISE SPECIFIED:	DIN C DORWART 31-07-91	APVD R. STONE 09-08-91	NAME J. SAUDER 09-08-91
0 PLC ± -	1 PLC ± -	PRODUCT SPEC 108-1228		
2 PLC ± -	3 PLC ± -	APPLICATION SPEC 114-40029		
4 PLC ± -	ANGLES ± -	WEIGHT 0.000000	SIZE A1	CAGE CODE 00779
MATERIAL 1	FINISH SEE TABLE	RESTRICTED TO CUSTOMER DRAWING	SCALE 5:1	SHEET 1 of 1

STE TE Connectivity  
 RECEPTACLE CABLE ASY,  
 50 POS, RAILLESS, PANEL  
 MOUNT, AMPLIMITE .050 SERIES  
 DRAWING NO: 750640