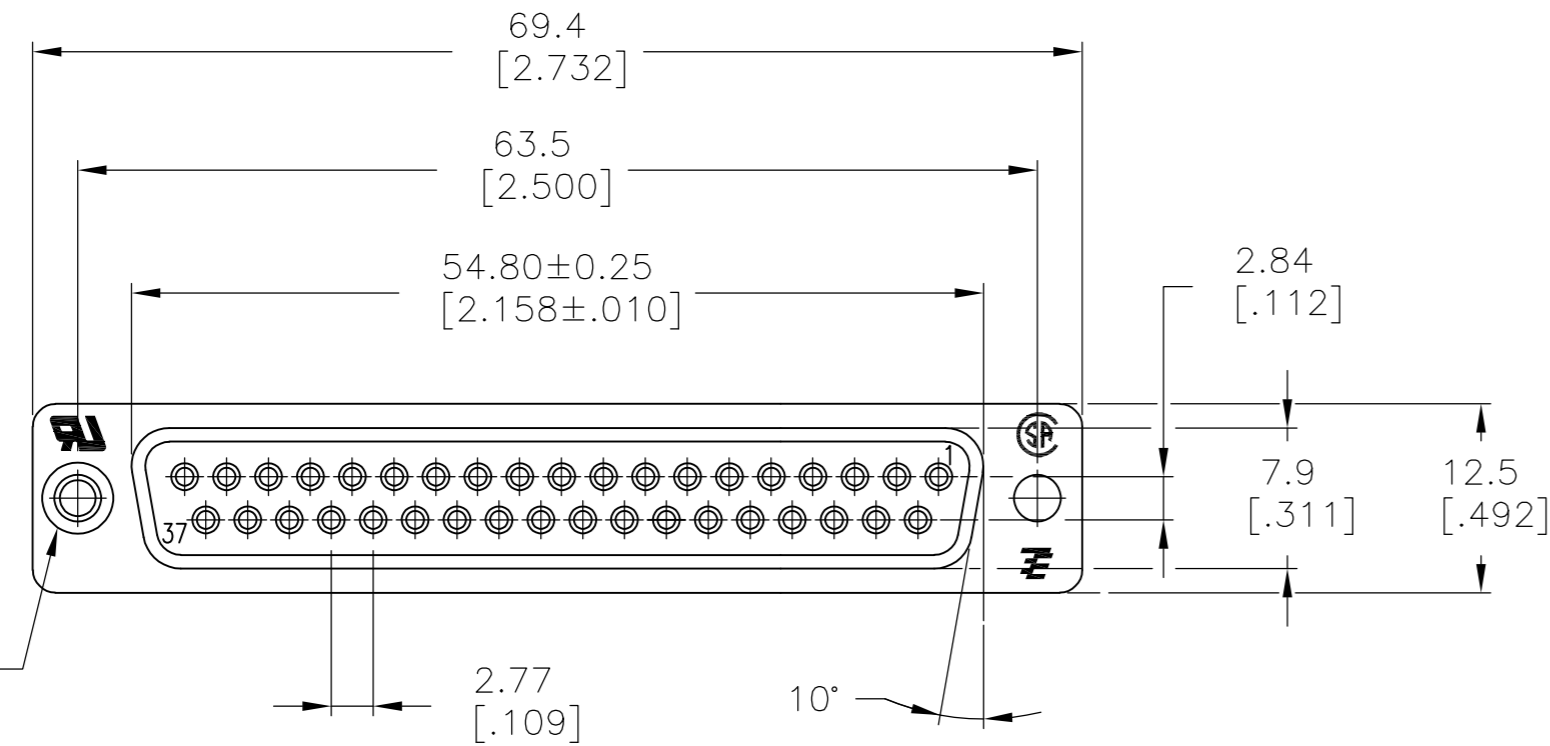
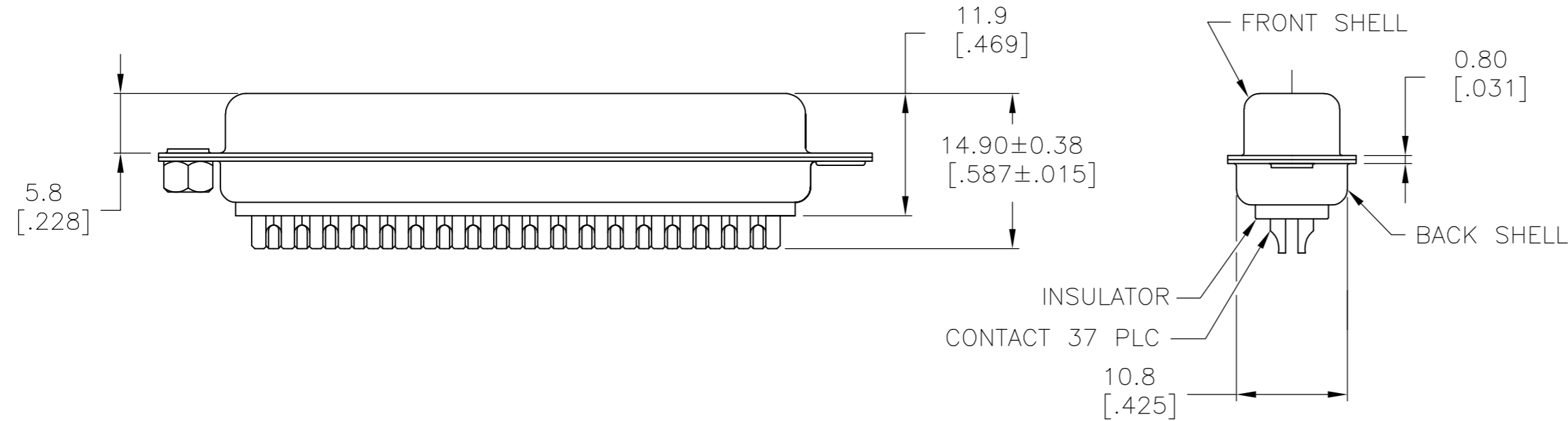


THIS DRAWING IS UNPUBLISHED. RELEASED FOR PUBLICATION  
 © COPYRIGHT - By - ALL RIGHTS RESERVED.

LOC		DIST		REVISIONS			
P	LTR	DESCRIPTION		DATE	DWN	APVD	
GP	00	V		REVISED PER ECO-15-010090	16JUL2015	AP	DG



CLINCH NUT  
 4-40UNCx3.0 2 PLC



- 1 MATERIAL:  
 FRONT INSULATOR: PBT, 30 %GF, UL94V-0, BLACK COLOR  
 BACK INSULATOR: PBT, 30 %GF, UL94V-0, BLACK COLOR  
 CONTACT: BRASS  
 FRONT SHELL: STEEL  
 BACK SHELL: STEEL  
 CLINCH NUTS: BRASS
- 2 FINISH:  
 CONTACT: GOLD PLATING 0.00002[.000008] MIN ON CONTACT AREA 0.00229 [.000090] MIN TIN-LEAD PLATING ALL OVER 0.00127[.000050] MIN NICKEL
- 3 CONTACT: GOLD PLATING 0.00076[.000030] MIN ON CONTACT AREA 0.00229 [.000090] MIN TIN-LEAD PLATING ALL OVER 0.00127[.000050] MIN NICKEL
- 4 SHELL: BRIGHT TIN 0.00241[.000095] MIN FULL SHELL
- 5 SHELL: BLUE ZINC: 0.00508[.000200] - 0.00762[.000300] OVER ENTIRE SHELL
- 6 CONTACT: GOLD PLATING 0.00002[.000008] MIN ON CONTACT AREA 0.00229 [.000090] MIN HOT DIPPED TIN-COPPER PLATING ALL OVER 0.00127[.000050] MIN NICKEL
- 7 CLINCH NUTS: NICKEL PLATING .00305-.00508[.000120-.000200]
- 8 SPECIFICATION  
 ELECTRICAL CHARACTERISTICS: CURRENT RATING: 3 AMPERES  
 DIELECTRIC WITHSTANDING VOLTAGE: AC 1000V r.m.s  
 INSULATION RESISTANCE: 5000 MEGOHMS MINIMUM AT DC 500V  
 CONTACT RESISTANCE: 10 MILLIOHMS MAXIMUM.
- 9 ROHS 2002/95/EC COMPLIANT
- 10 RECEPTACLE ASSEMBLY MATES WITH ANY 37 POSITION PLUG IN AMPLIMITE SERIES
- 11 SOLDER CUP WILL ACCOMMODATE 20 MAX AWG WIRE.
- 12 CONTACT: GOLD PLATING 0.00076[.000030] MIN ON CONTACT AREA 0.00229[.000090] MIN HOT DIPPED TIN-COPPER ALL OVER 0.00127[.000050] MIN NICKEL PLATING

REVISION	DESCRIPTION	DATE	BY	CHKD	APVD	PART NO.
△ 6	STANDARD	NO	△ 6	△ 5	5-747917-4	
△ 9	STANDARD	YES	△ 6	△ 4	5-747917-6	
△ 9	STANDARD	NO	△ 2	△ 4	5-747917-5	
△ 9	STANDARD	NO	△ 6	△ 4	5-747917-2	
△ 9	STANDARD	NO	△ 6	△ 4	747917-7	
	SUPERSEDED TO 5-747917-6	STANDARD	YES	△ 2	△ 4	747917-6
	SUPERSEDED TO 5-747917-5	STANDARD	NO	△ 3	△ 4	747917-5
	SUPERSEDED TO 5-747917-4	STANDARD	NO	△ 2	△ 5	747917-4
	SUPERSEDED TO 5-747917-2	STANDARD	NO	△ 2	△ 4	747917-2
	PACKAGING TYPE	CLINCH NUTS	CONTACTS	SHELLS	PART NO.	

THIS DRAWING IS A CONTROLLED DOCUMENT. DIMENSIONING AND TOLERANCING PER ASME Y14.5M-2009		DWN M. BINNER 04MAR03	TE Connectivity	
DIMENSIONS: mm [INCHES]		CHK R. BENDORF 05MAR03	NAME RECEPTACLE ASSEMBLY, SOLDER CUP, SIZE 4, 37 POSN, HD-20, AMPLIMITE	
TOLERANCES UNLESS OTHERWISE SPECIFIED: 0 PLC ± - 1 PLC ± 0.25 2 PLC ± 0.13 3 PLC ± 0.05 4 PLC ± - ANGLES ± 4°		APVD R. BENDORF 05MAR03	DRAWING NO A2 00779 C=747917	
MATERIAL 1		FINISH SEE TABLE	WEIGHT -	RESTRICTED TO -
CUSTOMER DRAWING		SCALE 2:1	SHEET 1 of 1	REV V