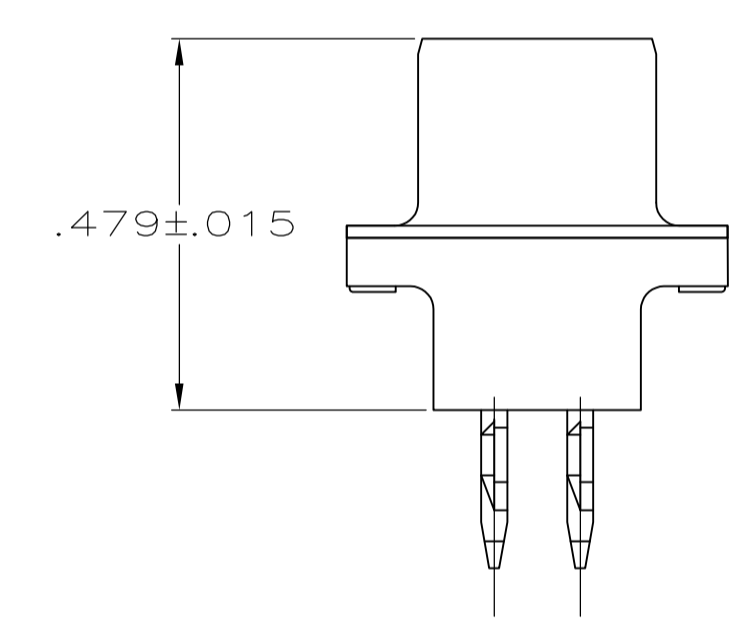
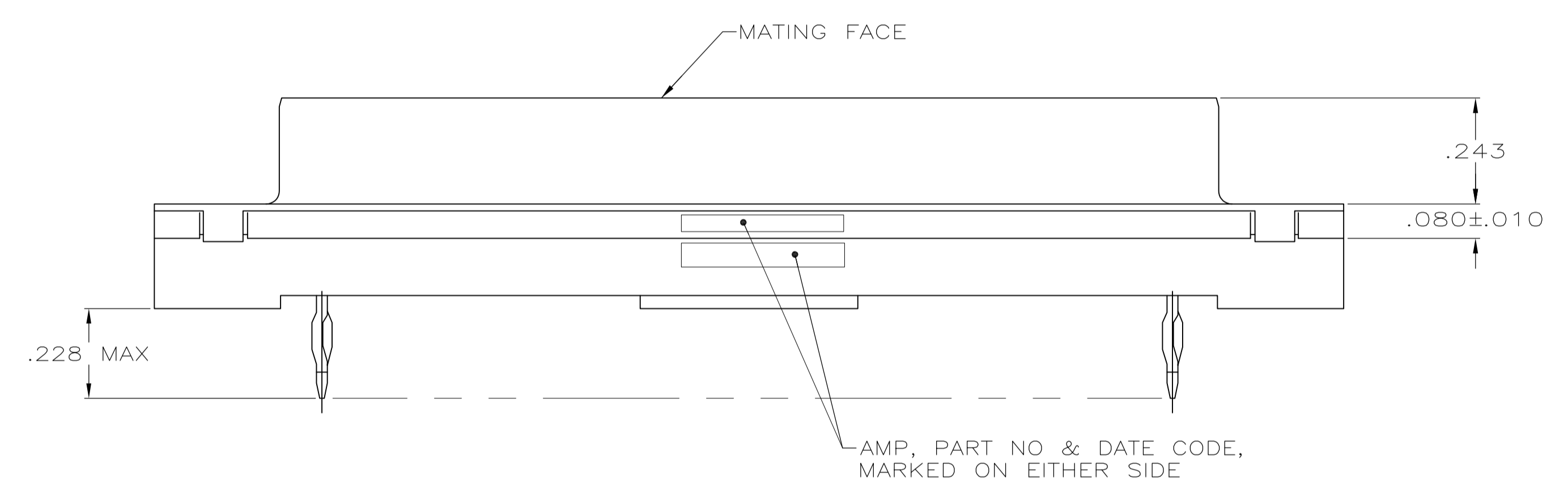
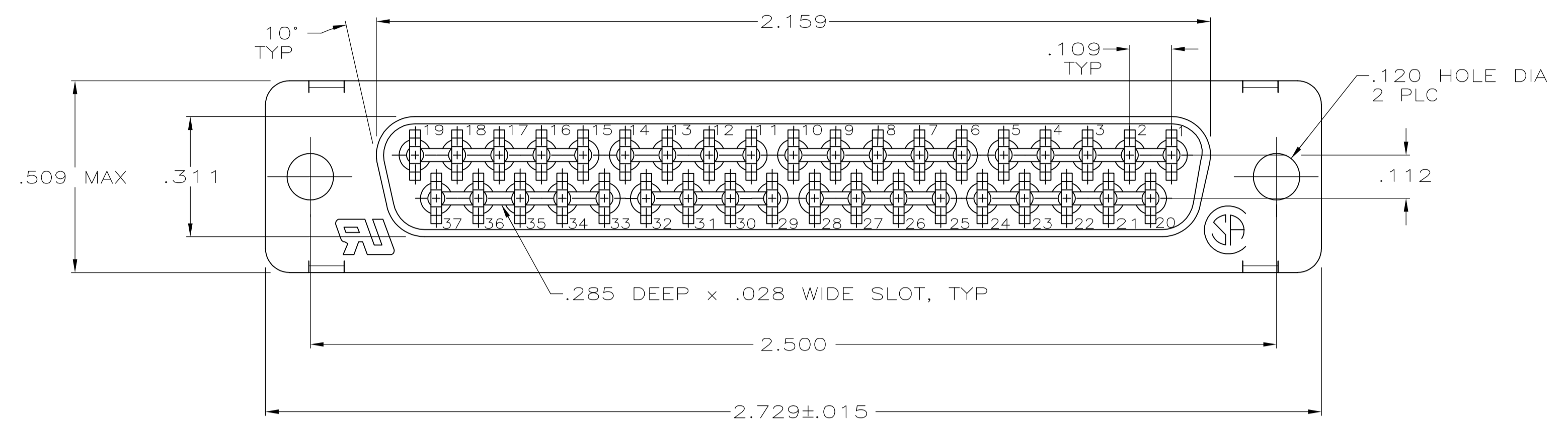


LOC		DIST		REVISIONS			
GP	00	REV	BY	DESCRIPTION	DATE	OWN	APVD
J		REVISED	PER	ECO-12-000090	30JAN2012	CJV	SLB



- 1 FOR USE WITH .093 MINIMUM THICK PRINTED CIRCUIT BOARD. REFER TO APPLICATION SPECIFICATION FOR PRINTED CIRCUIT BOARD LAYOUT DIMENSIONS AND FINISH RECOMMENDATIONS.
- 2 DUPLEX PLATED: GOLD FLASH ON MATING SURFACE, BRIGHT TIN OR BRIGHT TIN LEAD ON COMPLIANT PIN, ALL OVER NICKEL.
- 3 .000030 MINIMUM GOLD IN MATING AREA.
.000100 MINIMUM TIN OR TIN-LEAD ON COMPLIANT PIN.
ALL OVER .000050 MINIMUM NICKEL.

OR
GOLD FLASH OVER PALLADIUM NICKEL.
.000030 MINIMUM TOTAL IN MATING AREA.
.000100 MINIMUM TIN OR TIN-LEAD ON COMPLIANT PIN.
ALL OVER .000050 MINIMUM NICKEL.
- 4 PLATED .0002-.0004 BRIGHT TIN
- 5 NOTE REMOVED.
- 6 FLAME RETARDANT 94V-0 RATED THERMOPLASTIC; COLOR: BLACK.

OBSELETE	3	747713-2
	2	747713-1
		PART NO

THIS DRAWING IS A CONTROLLED DOCUMENT. DIMENSIONING AND TOLERANCING PER ASME Y14.5M-2009		DIN D. HARDY 04-12-94	TE Connectivity	
DIMENSIONS: INCHES		CHK R. STONE 04-26-94	NAME	
TOLERANCES UNLESS OTHERWISE SPECIFIED:		APVD	RCPT ASSY, SIZE 4, 37 POSN, AMPLIMITE™	
0 PLC ± -	1 PLC ± -	PRODUCT SPEC	HDP, MDM PROFILE, W/ ACTION	
2 PLC ± -	3 PLC ± .005	APPLICATION SPEC	PIN CONT & METAL SHELL.	
4 PLC ± -	ANGLES ± ± °	114-40026/1	SIZE	CAGE CODE DRAWING NO
MATERIAL	FINISH	WEIGHT	A1	00779 C=747713
HOUSING: SHELL: CARBON STEEL CONTACTS: COPPER ALLOY	CONTACTS: SEE TABLE SHELL: Δ	CUSTOMER DRAWING	SCALE	4:1 SHEET 1 OF 1 REV J