

DRAWING MADE IN THIRD ANGLE PROJECTION

THIS DRAWING IS UNPUBLISHED. RELEASED FOR PUBLICATION, 19

© COPYRIGHT 19

BY AMP INCORPORATED. ALL INTERNATIONAL RIGHTS RESERVED.

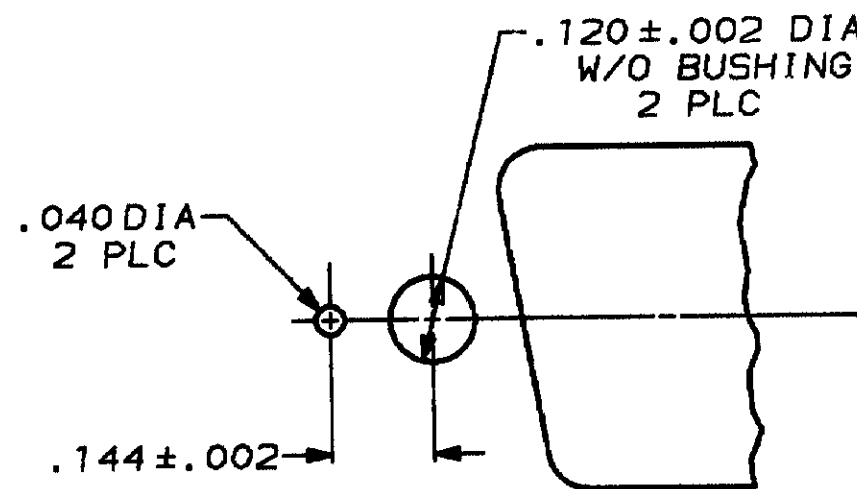
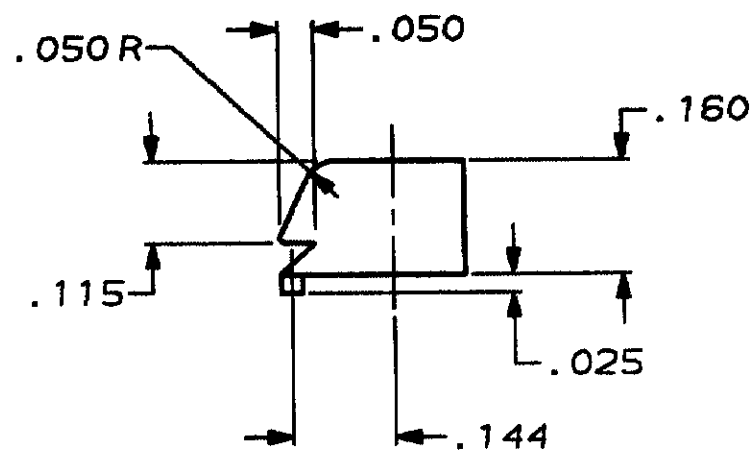
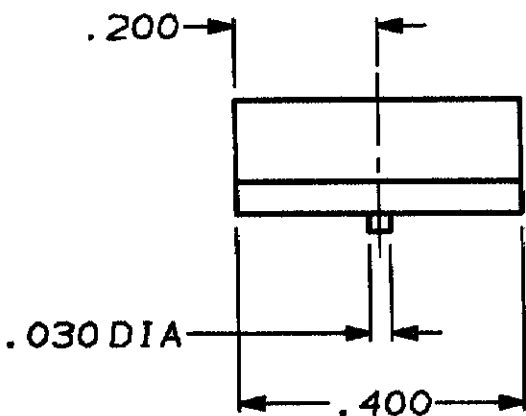
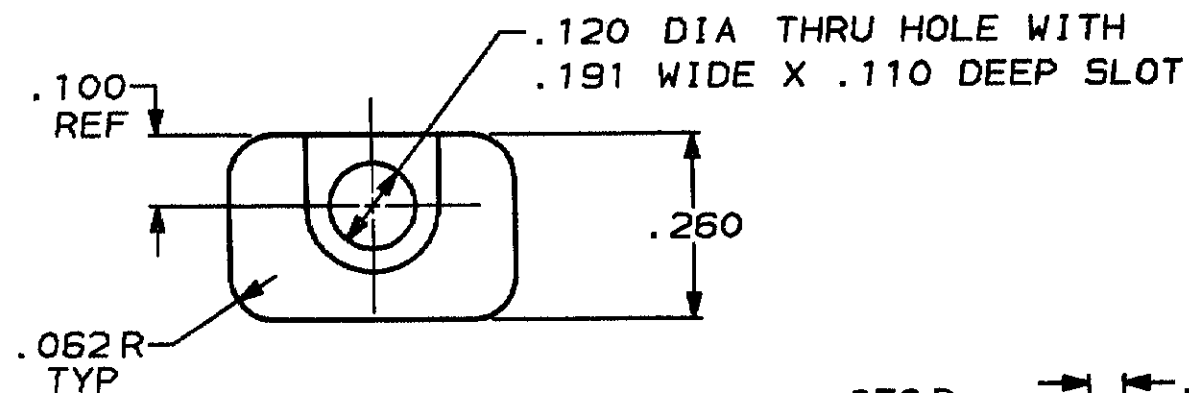
MOD	LOC	DIST
8	BD	39

P	F
✓	✓

ZONE	LTR
	B

REVISIONS

DESCRIPTION	DATE	APPD
REDRAWN ON CAD	4-10-90	-



PANEL CUTOUT DETAIL
NTS

OBSOLETE	BULK PACKAGED	2	747080-3
	ONE KIT PER BAG	2	747080-2
	PACKAGING	QUANTITY	PART NUMBER

DO NOT SCALE PRINT.
UNLESS SPECIFIED
DIMENSIONS IN INCHES
TOLERANCES ON:
2 PLC DEC * -
3 PLC DEC * .005
ANGLES * -

MATERIAL
ZINC

FINISH
-

DR 4-10-90
J. GALLUCCI 89

CHK *[Signature]*
7-15-90

APPD *[Signature]* 7-11-90

APPD *[Signature]* 7-16-90

PRODUCT SPEC

APPLICATION SPEC
-

WEIGHT -

AMP AMP INCORPORATED
Harrisburg, Pa. 17105

LATCHING BLOCK,
AMPLIMITE™

SIZE B	FSCM NO 00779	DRAWING NO 747080
SCALE 4:1	SHEET 1 OF 1	