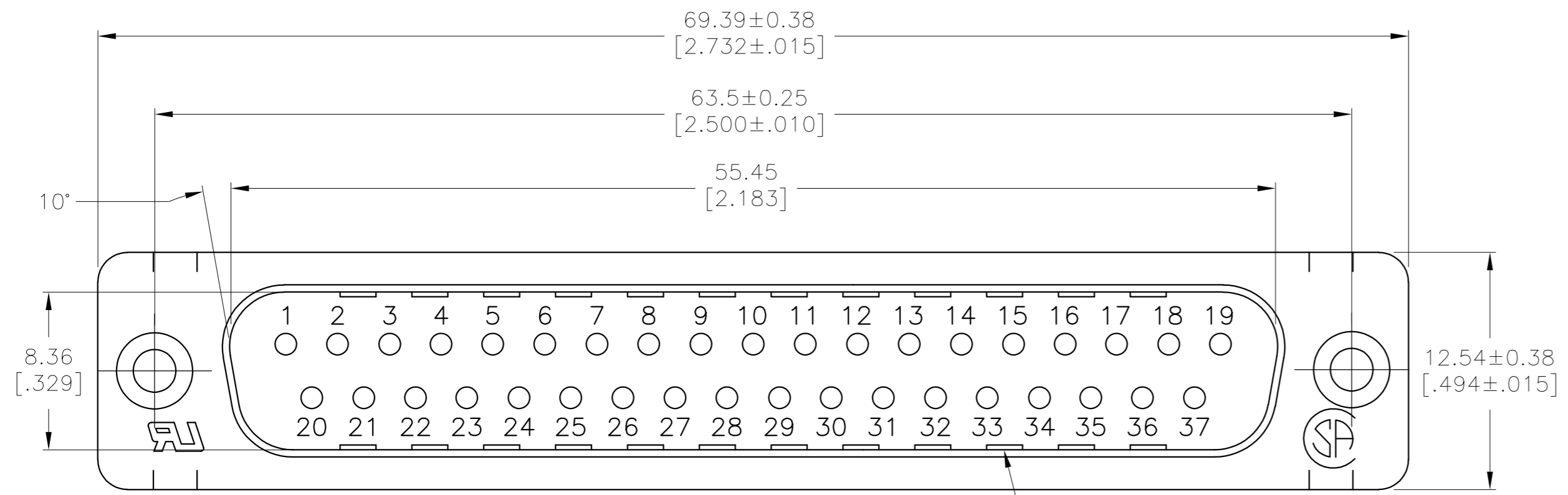
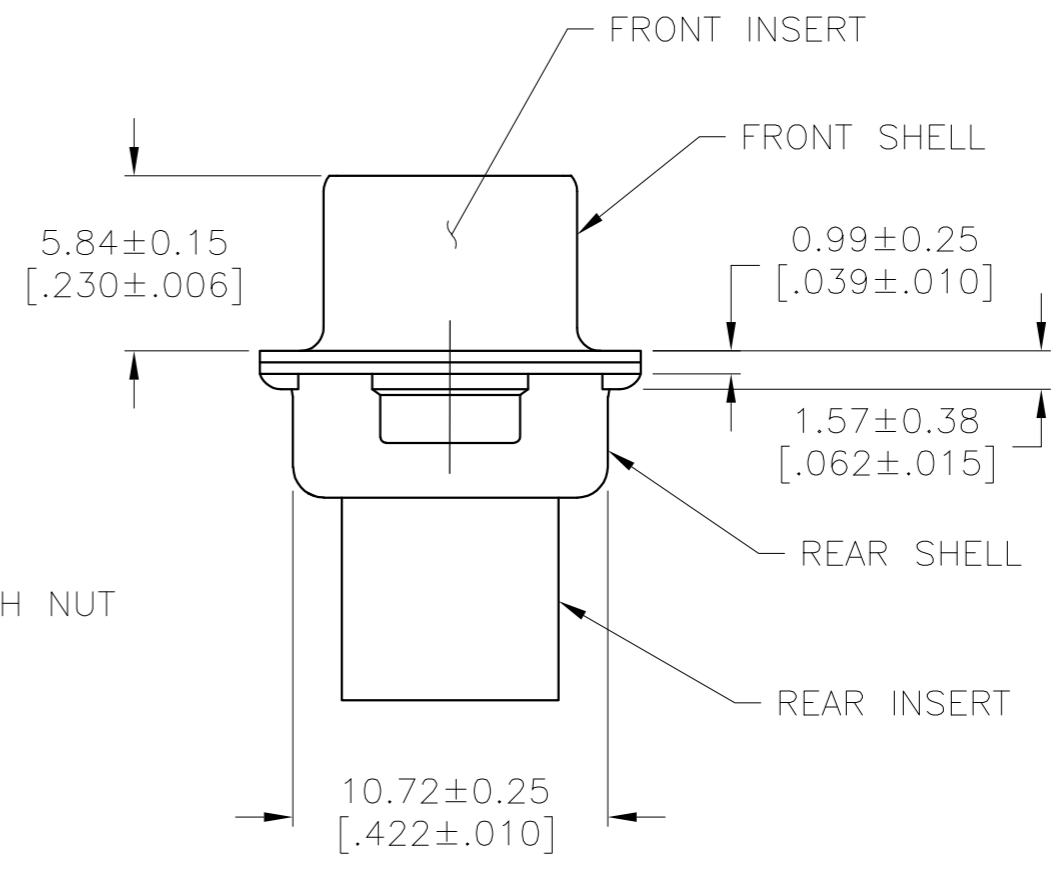
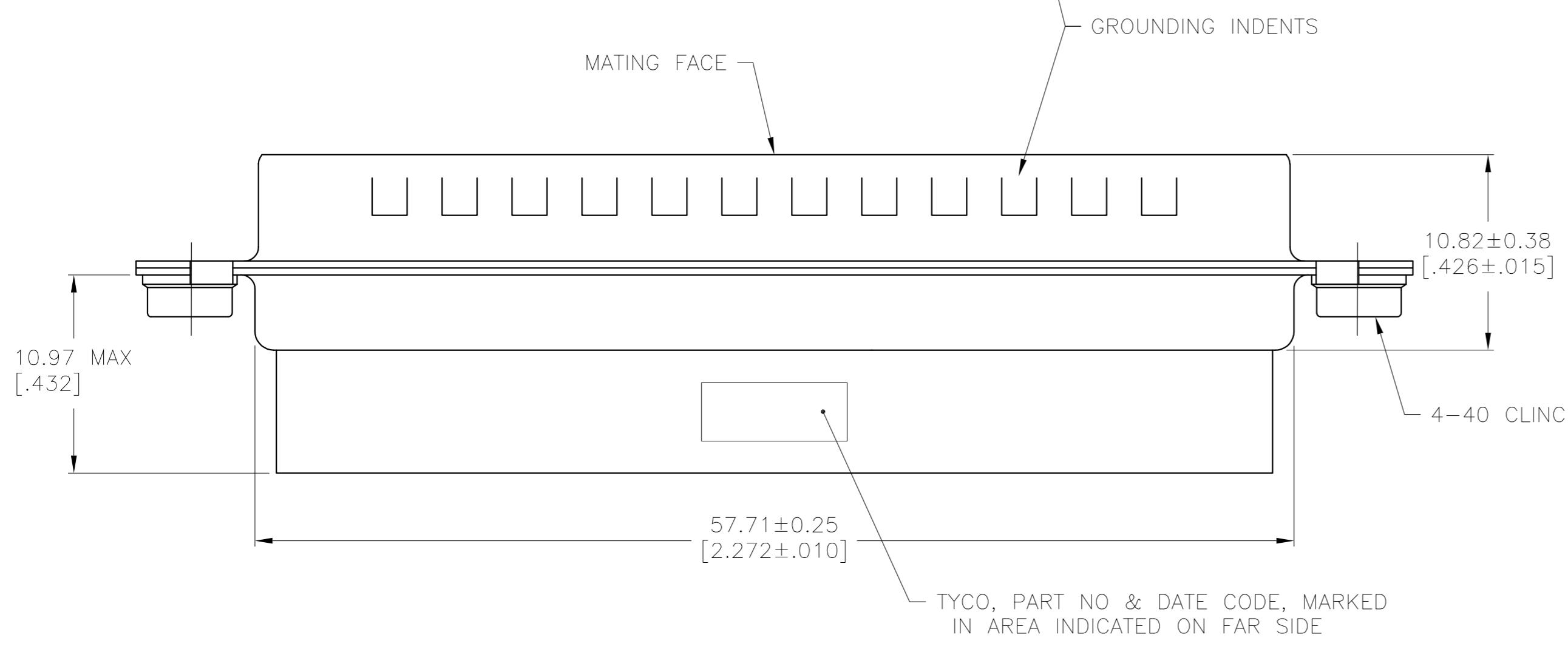


THIS DRAWING IS UNPUBLISHED. RELEASED FOR PUBLICATION  
 © COPYRIGHT - By - ALL RIGHTS RESERVED.

LOC		DIST		REVISIONS			
P	LTR	DESCRIPTION	DATE	DWN	APVD		
GP	00	H	REVISED PER ECO-14-011808	12AUG2014	AP	SB	



- ① INSERTS: GLASS-FILLED PBT OR GLASS-FILLED NYLON, UL94V-0 RATED. COLOR: BLACK.  
SHELLS: CARBON STEEL PER ASTM A109.  
CLINCH NUTS: CARBON STEEL PER ASTM A108.
- ② SHELLS: SEE TABLE  
CLINCH NUTS: CLEAR CHROMATE OVER ZINC.
- 3. CONNECTOR ACCEPTS SIZE 20 DF PIN CONTACTS. RETENTION TINES ARE AN INTEGRAL PART OF INSERT.
- ④ 0.00508[.000200] MIN BRIGHT TIN OR BRIGHT TIN LEAD OVER 0.00254[.000100] MIN COPPER.
- ⑤ 0.00508[.000200] MIN BRIGHT TIN OVER 0.00254[.000100] MIN COPPER.



OBSOLETE	⑤	745135-4
	④	745135-2
	SHELL FINISH	PART NUMBER

**COPYRIGHT 2003  
 TYCO ELECTRONICS CORP  
 ALL RIGHTS RESERVED**

THIS DRAWING IS A CONTROLLED DOCUMENT.		DWN	J.GERACE	24APR03	 TE Connectivity	
DIMENSIONS: mm [INCHES]		CHK	S.BOLASH	24APR03		
TOLERANCES UNLESS OTHERWISE SPECIFIED:		APVD	M.WALMSLEY	24APR03		
0 PLC ± - 1 PLC ± - 2 PLC ± 0.13[.005] 3 PLC ± - 4 PLC ± - ANGLES ± -		PRODUCT SPEC	108-40005	NAME		PLUG CONNECTOR, SIZE 4, 37 POS, 4-40 CLINCH NUTS, AMPLIMITE HDP-20
MATERIAL	FINISH	APPLICATION SPEC	114-40030	SIZE	A2	
①	②	WEIGHT	-	CAGE CODE	00779	
CUSTOMER DRAWING			SCALE	4:1	SHEET	1 of 1
			REV	H		