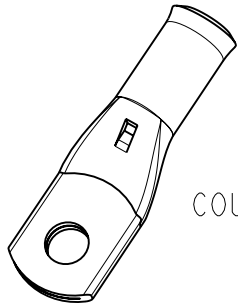
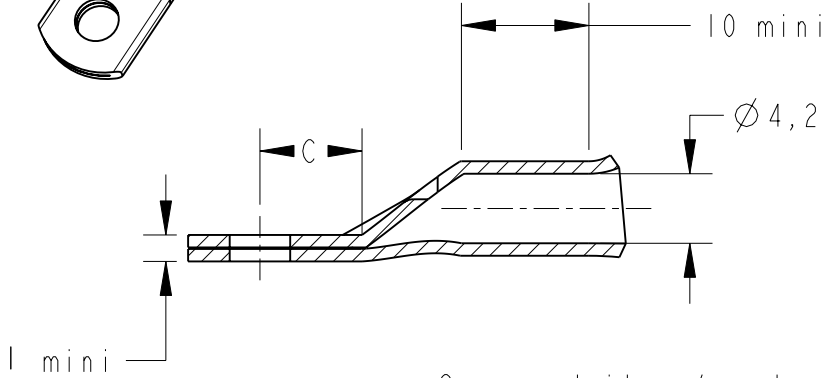


LOC	DIST	REVISIONS				
P	LTR REV	DESCRIPTION MODIFICATIONS	DATE	DWN DESS.	APVD APP.	
FH	00	DI	REVISED PER ECO-11-005150	28MAR2011	RK HMR	
		E	ECR-11-018538	07SEP2011	LP NA	



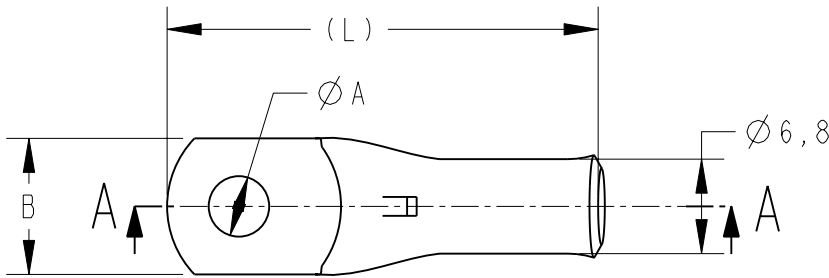
COUPE A-A



Inspection hole



Ces produits répondent à la norme NFC 20-130.  
 These products are NFC 20-130 compliant.



(L)	C	B	ØA	DESCRIPTION	PART NUMBER
32	7	11	4,2	XCT 10-4	710031-1
32	7	11	5,2	XCT 10-5	710031-2
32	7	11	6,4	XCT 10-6	710031-4
39	10,5	14	8,3	XCT 10-8	710031-6
39	10,5	14	10,3	XCT 10-10	710031-8

- 1 - MATERIAL = TINNED COPPER
- 2 - Marking in depth: logo-section-hole-Made in France +
- 3 - CABLE SECTION = 7AWG or 10mm2
- 4 - GROOVE E10Cu

20


RELEASED FOR PUBLICATION  
 LIBRE A LA DIFFUSION

ALL RIGHTS RESERVED.  
 TOUS DROITS RESERVES.

THIS DRAWING IS UNPUBLISHED.  
 DIFFUSION RESTREINTE

© COPYRIGHT 20

TOLERANCES UNLESS OTHERWISE SPECIFIED: -  
 TOLERANCES NON SPECIFIEES: -

DIMENSIONS: mm		DWN/DESSINE D. LEGUY 15DEC00	MATERIAL MATIERE CUIVRE	FINISH FINITION ETAME
<p>TOLERANCES UNLESS OTHERWISE SPECIFIED:                  TOLERANCES NON SPECIFIEES (SUIV NB DE DECIMALES):</p> <p>0 PLC/DEC: ±0                  1 PLC/DEC: ±0                  2 PLC/DEC: ±0                  3 PLC/DEC: ±0                  4 PLC/DEC: ±0</p> <p>ANGLES ±</p>		CHK/VERIFIE E. DEREY	 TE Connectivity	
		APVD/APPROUVE N. ALMEIDA		
		PRODUCT SPEC SPEC. PRODUIT	NAME TITRE XCT 10-..	
		APPLICATION SPEC SPEC. APPLICATION	SIZE FORMAT A4	CAGE CODE 00779
WEIGHT MASSE APPROX.		CUSTOMER DRAWING /PLAN CLIENT		
		UNIQUEMENT POUR REFERENCE	SCALE ECHELLE - / -	SHEET FEUILLE 1 OF DE 1
				REV E