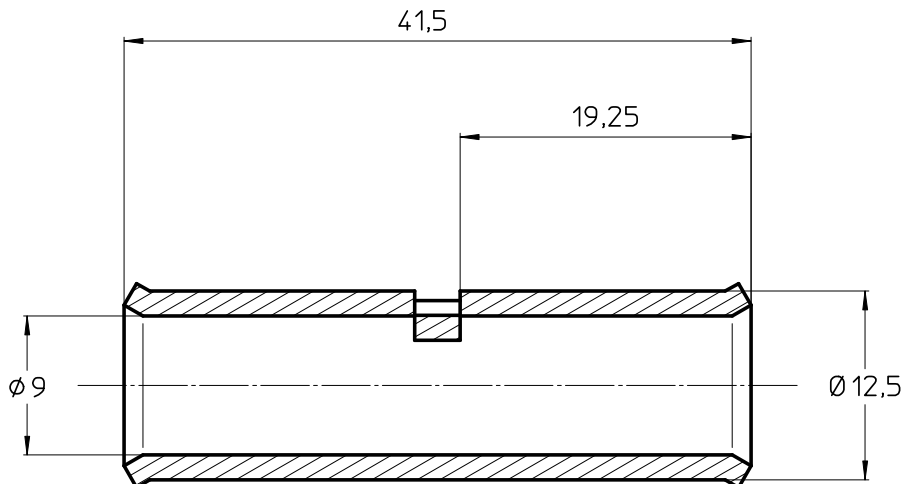



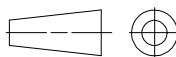
LOC	DIST	REVISIONS					
		P	LTR REV	DESCRIPTION MODIFICATIONS	DATE	DWN DESS.	APVD APPR
-	-		A	CREATION	19-JUL-11	BM	NA



5	XG7T 50 JEU DE 5	709839-2
25	XG7T 50	709839-1
QUANTITY	PRODUCT DESCRIPTION	PART NUMBER

ITEM:

2011
 RELEASED FOR PUBLICATION
 LIBRE A LA DIFFUSION
 ALL RIGHTS RESERVED.
 TOUS DROITS RESERVES
 BY TYCO ELECTRONICS CORPORATION
 COPYRIGHT 2011

DIMENSIONS: mm	DWN /DESSINE B. MILLOT	19-JUL-2011	MATERIAL MATIERE	COPPER	FINISH FINITION	TINNED
	CHK /VERIFIE E. DEREY	-	 TE connectivity SIMEL PRODUCTS			
TOLERANCES UNLESS OTHERWISE SPECIFIED PER TOLERANCES NON SPECIFIEES SELON :-	APVD /APPROUVE N. ALMEIDA	-				
	PRODUCT SPEC SPEC. PRODUIT	-	SIZE FORMAT	A4	DRAWING NO No PLAN	RESTRICTED TO RESERVE A
	APPLICATION SPEC SPEC. APPLICATION	-	CAGE CODE	00779	© =709839	
	APPROX. WEIGHT MASSE APPROX.	-				
CUSTOMER DWG / PLAN CLIENT			UNIQUEMENT POUR REFERENCE	SCALE EHELLE	2:1	SHEET FEUILLE
						1 OF 1 DE 1
						REV A