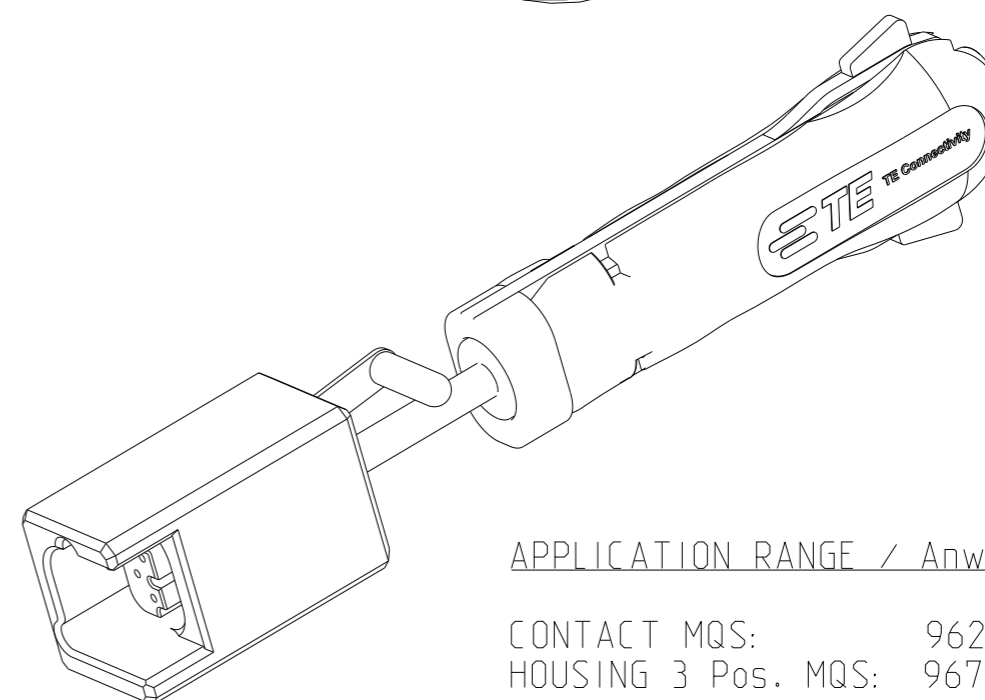
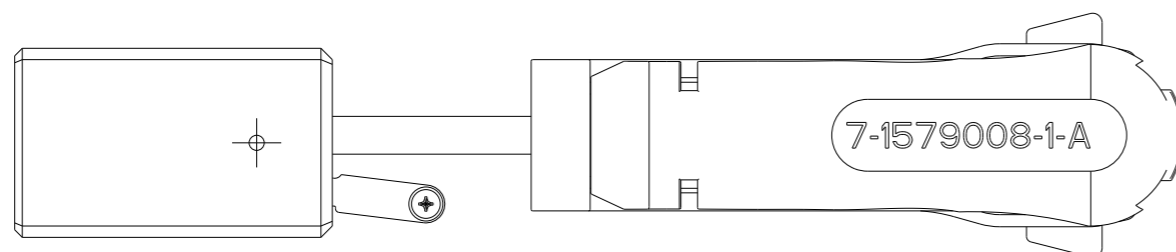
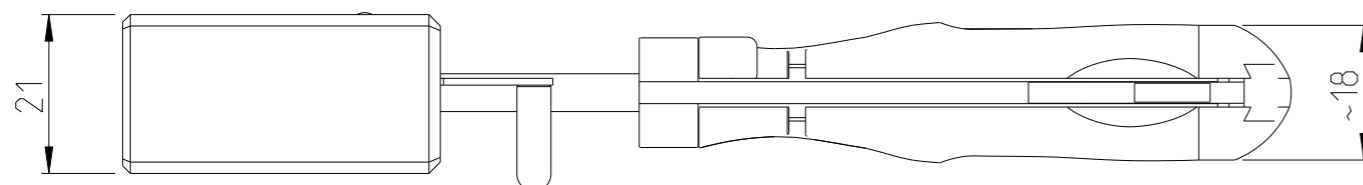
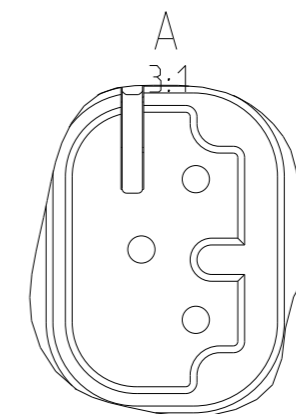
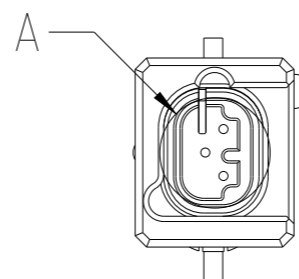
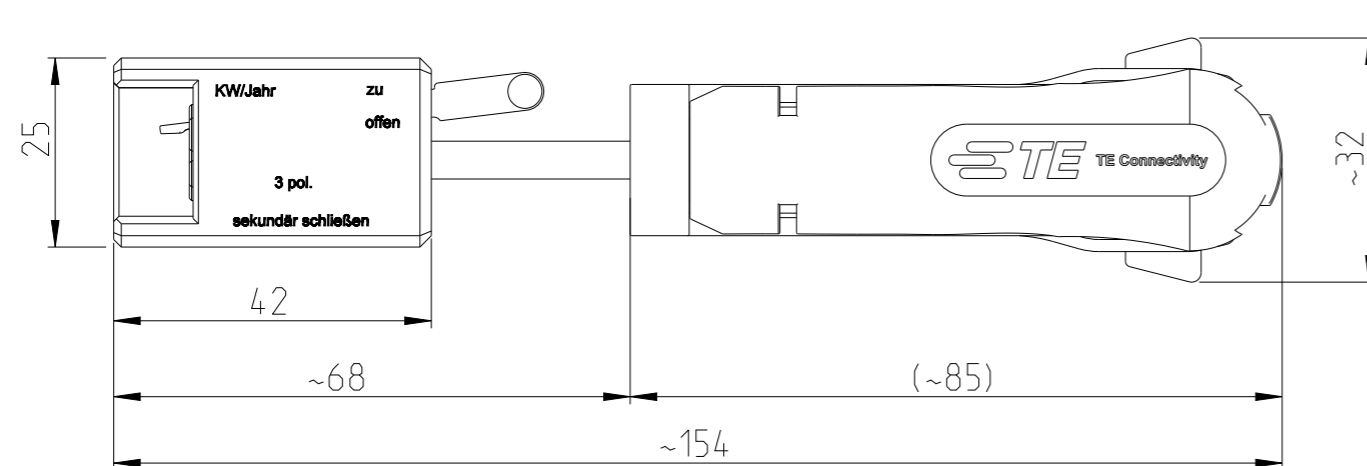

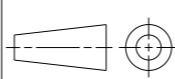


P	LTR	DESCRIPTION	DATE	DWN	APVD
A2		ECR-15-004414	19MAR2015	KH	RG
A3		ECR-21-001695	09FEB2021	PNT	GS
A4		ECR-24-219149	29AUG2024	BM	CH



APPLICATION RANGE / Anwendungsbereich:

CONTACT MQS: 962886, 965908
HOUSING 3 Pos. MQS: 967082, 967167

THIS DRAWING IS A CONTROLLED DOCUMENT.		DWN	04 JUN 2008		 TE Connectivity
DIMENSIONS:		CHK	04 JUN 2008		
mm		APVD	04 JUN 2008		
		PRODUCT SPEC	NAME		
TOLERANCES UNLESS OTHERWISE SPECIFIED:		APPLICATION SPEC		LOCKING TOOL	
0 PLC	±	WEIGHT		Entriegelungswerkzeug	
1 PLC	±	0.063kg		-	
2 PLC	±	A3		-	
3 PLC	±	00779		-	
4 PLC	±	C=7-1579008-1		-	
ANGLES	±	CUSTOMER DRAWING		RESTRICTED TO	
FINISH	±	SCALE 1:1		-	
MATERIAL		SHEET 1 OF 1		REV A4	