

REVISIONS

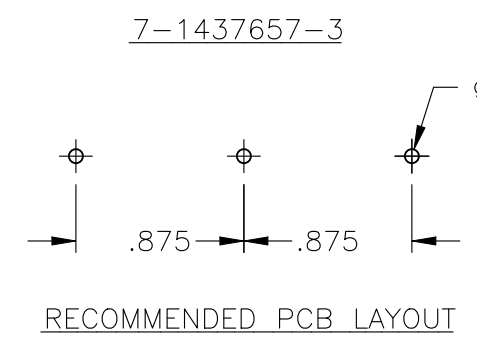
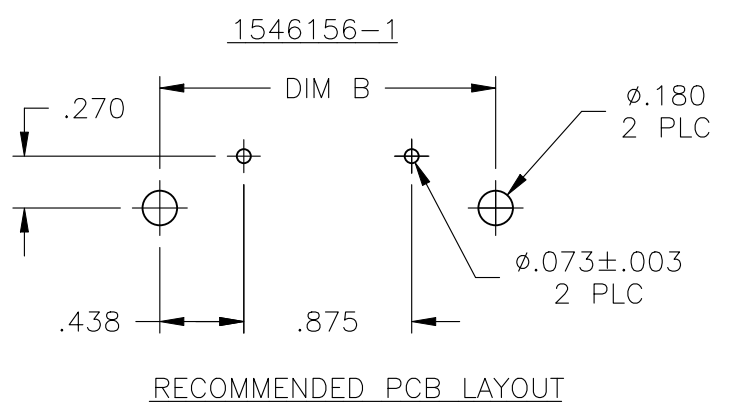
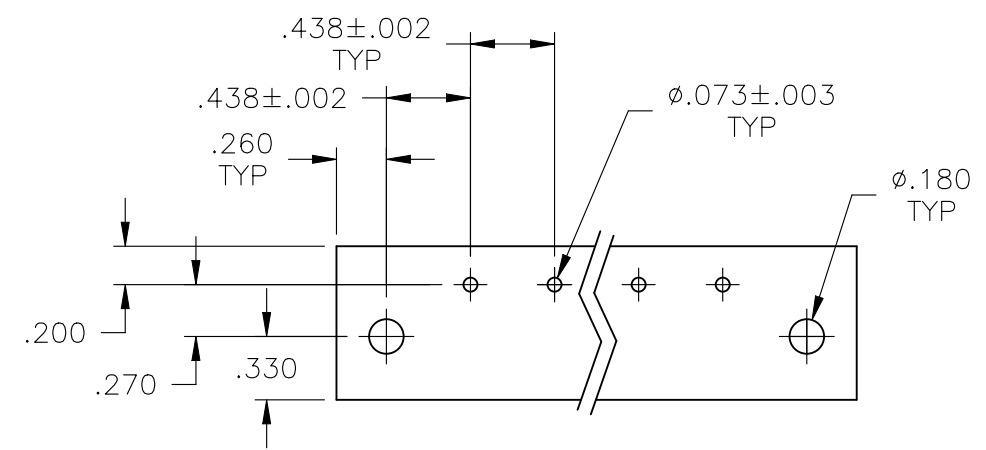
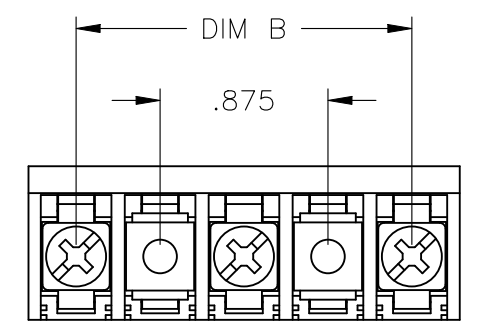
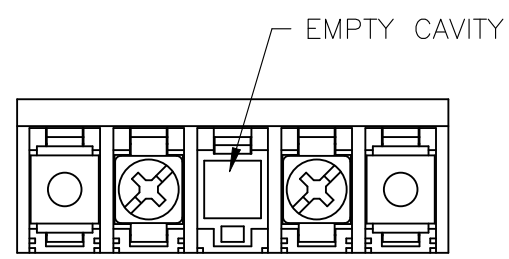
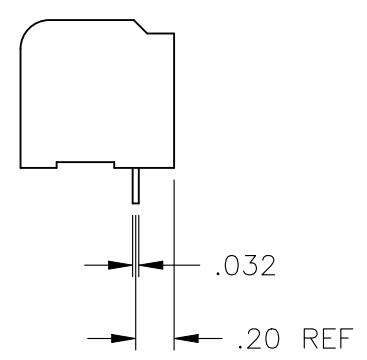
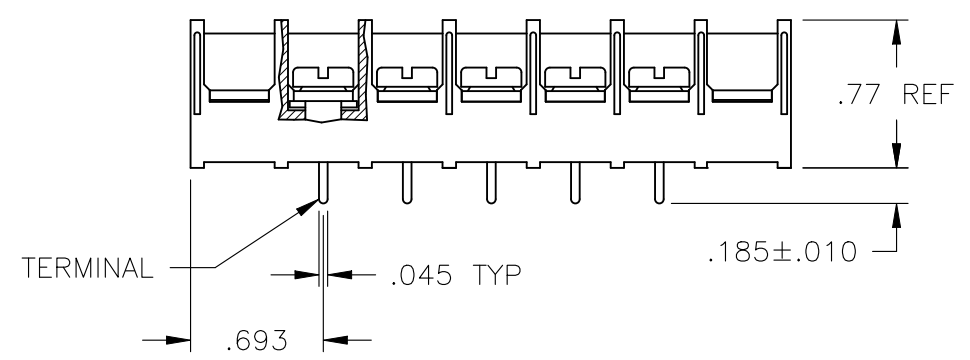
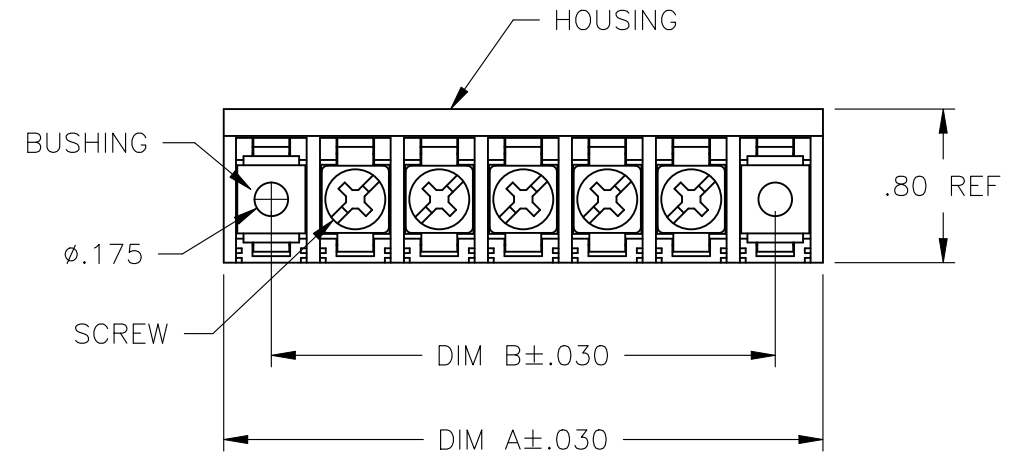
P	LTR	DESCRIPTION	DATE	DWN	APVD
	F3	OBSOLETING THE PN 7-1546159-3,7-1546159-6 AND 1-1546570-7	29NOV2022	RB	SM

MATERIALS:
HOUSING: THERMOPLASTIC, UL94V-0, BLACK.
TERMINAL: COPPER ALLOY, PLATING
BRIGHT TIN OVER NICKEL.
SCREWS: 8-32 ZINC PLATED STEEL.

ELECTRICAL:
CURRENT RATING: 30A
VOLTAGE RATING: 600V
WIRE RANGE: 10-18 AWG (UL)
10-22 AWG (CSA)

MECHANICAL:
RECOMMENDED TORQUE: 20 IN-LB.
OPERATING TEMP.: -40°C TO +120°C.

1 SCREWS TO BE BOTTOMED.


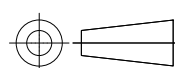


THIS DRAWING IS A CONTROLLED DOCUMENT.		DWN S SCHLEGEL 2/25/03	STE TE Connectivity Ltd.	
DIMENSIONS: INCHES		CHK H WAKEEM 2/25/03		
TOLERANCES UNLESS OTHERWISE SPECIFIED:		APVD H WAKEEM 2/25/03	NAME	
0 PLC ± -		PRODUCT SPEC	8PCV-XX-008 ASSEMBLY	
1 PLC ± -		APPLICATION SPEC	-	
2 PLC ± .01		WEIGHT -	SIZE A3	CAGE CODE 00779
3 PLC ± .005		CUSTOMER DRAWING	DRAWING NO	RESTRICTED TO
4 PLC ± -			C-7-1437657-1	-
ANGLES ± 1°		SCALE 1:1	SHEET 1 OF 2	REV F3
FINISH -				

REVISIONS

P	LTR	DESCRIPTION	DATE	DWN	APVD
	-	SEE SHEET 1	-	-	-

	DIM B	DIM A	NO OF POS	CATALOG NUMBER	PART NO
	8.312	8.822	18	8PCV-18-008	1-1546570-8
OBSOLUTE	7.875	8.385	17	8PCV-17-008	1-1546570-7
	7.437	7.947	16	8PCV-16-008	1-1546570-6
	7.000	7.510	15	8PCV-15-008	1-1546570-5
	6.562	7.072	14	8PCV-14-008	1-1546570-4
	6.125	6.635	13	8PCV-13-008	1-1546570-3
OBSOLUTE	5.687	6.197	12	8PCV-12-008	7-1546159-6
	5.250	5.760	11	8PCV-11-008	1-1546570-1
OBSOLUTE	4.812	5.322	10	8PCV-10-008	7-1546159-3
	4.375	4.885	9	8PCV-09-008	3-796615-1
	3.937	4.447	8	8PCV-08-008	2-796615-9
	3.500	4.010	7	8PCV-07-008	3-796615-0
	3.062	3.572	6	8PCV-06-008	1437658-2
	2.625	3.135	5	8PCV-05-008	9-1437657-1
	2.187	2.697	4	8PCV-04-008	8-1437657-1
SEE FIGURE	1.750	2.260	3	8PCV-03-534	7-1437657-3
	1.750	2.260	3	8PCV-03-008	7-1437657-1
SEE FIGURE	1.312	1.822	2	8PCV-02-SPCL	1546156-1
	1.312	1.822	2	8PCV-02-008	1-1437660-6

THIS DRAWING IS A CONTROLLED DOCUMENT.		DWN S SCHLEGEL 2/25/03	 TE Connectivity Ltd.		
DIMENSIONS: INCHES 		CHK H WAKEEM 2/25/03			
TOLERANCES UNLESS OTHERWISE SPECIFIED: 0 PLC ± - 1 PLC ± - 2 PLC ± .01 3 PLC ± .005 4 PLC ± - ANGLES ± 1°		APVD H WAKEEM 2/25/03	8PCV-XX-008 ASSEMBLY		
MATERIAL		PRODUCT SPEC	RESTRICTED TO		
FINISH		APPLICATION SPEC	SIZE	CAGE CODE	DRAWING NO
		WEIGHT	A3	00779	C-7-1437657-1
CUSTOMER DRAWING			SCALE	SHEET	REV
			1:1	2 OF 2	F3