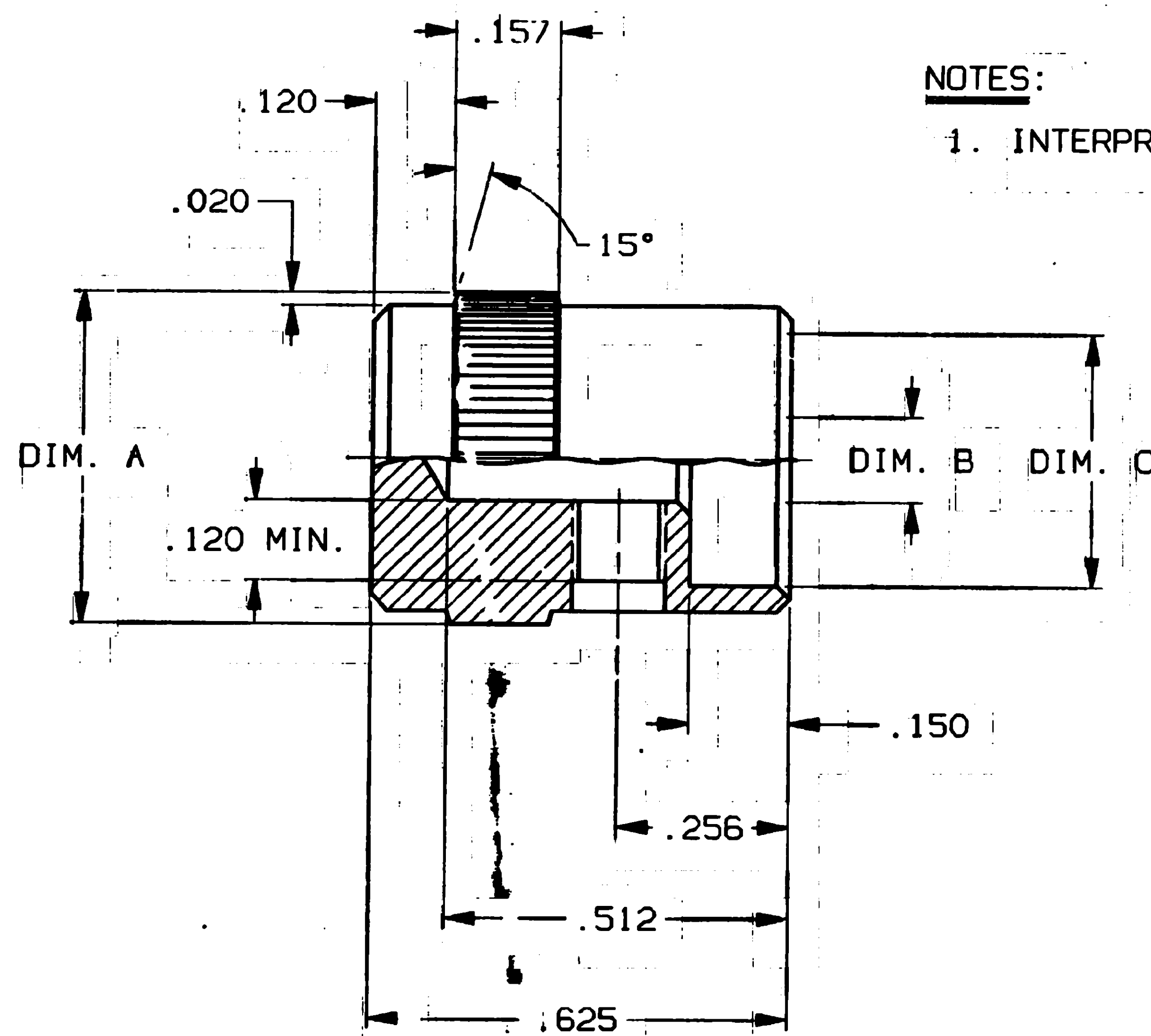
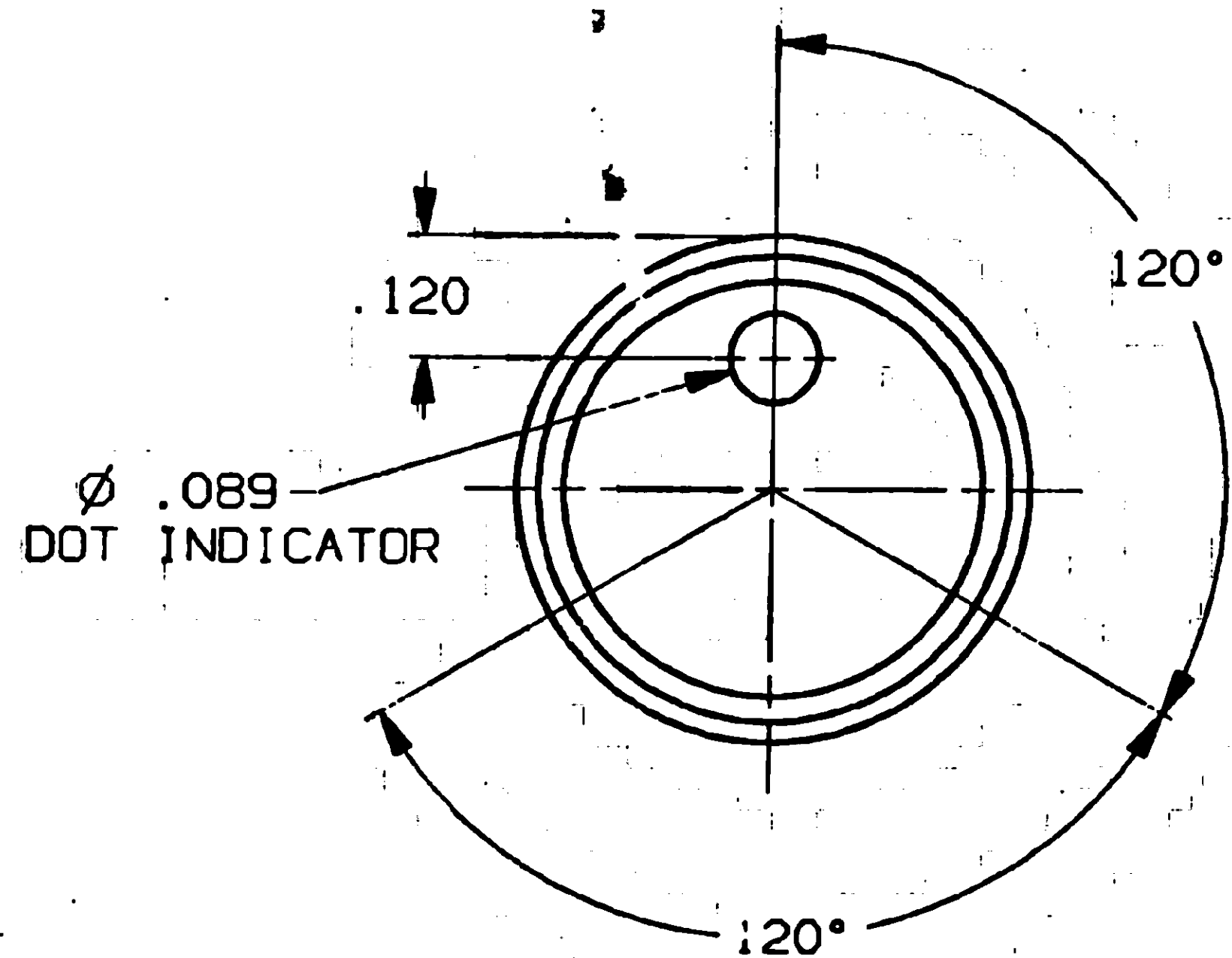


CONVERSION CHART

INCH	MM
.012	0.30
.020	0.51
.025	0.64
.089	2.26
.120	3.05
.126	3.21
.129	3.27
.150	3.81
.157	3.99
.251	6.38
.254	6.45
.256	6.50
.382	9.70
.500	12.70
.512	13.00
.625	15.88
.630	16.00
.740	18.80
.787	19.99
.937	23.80
1.062	26.97
1.250	31.75



SPECIFICATIONS:

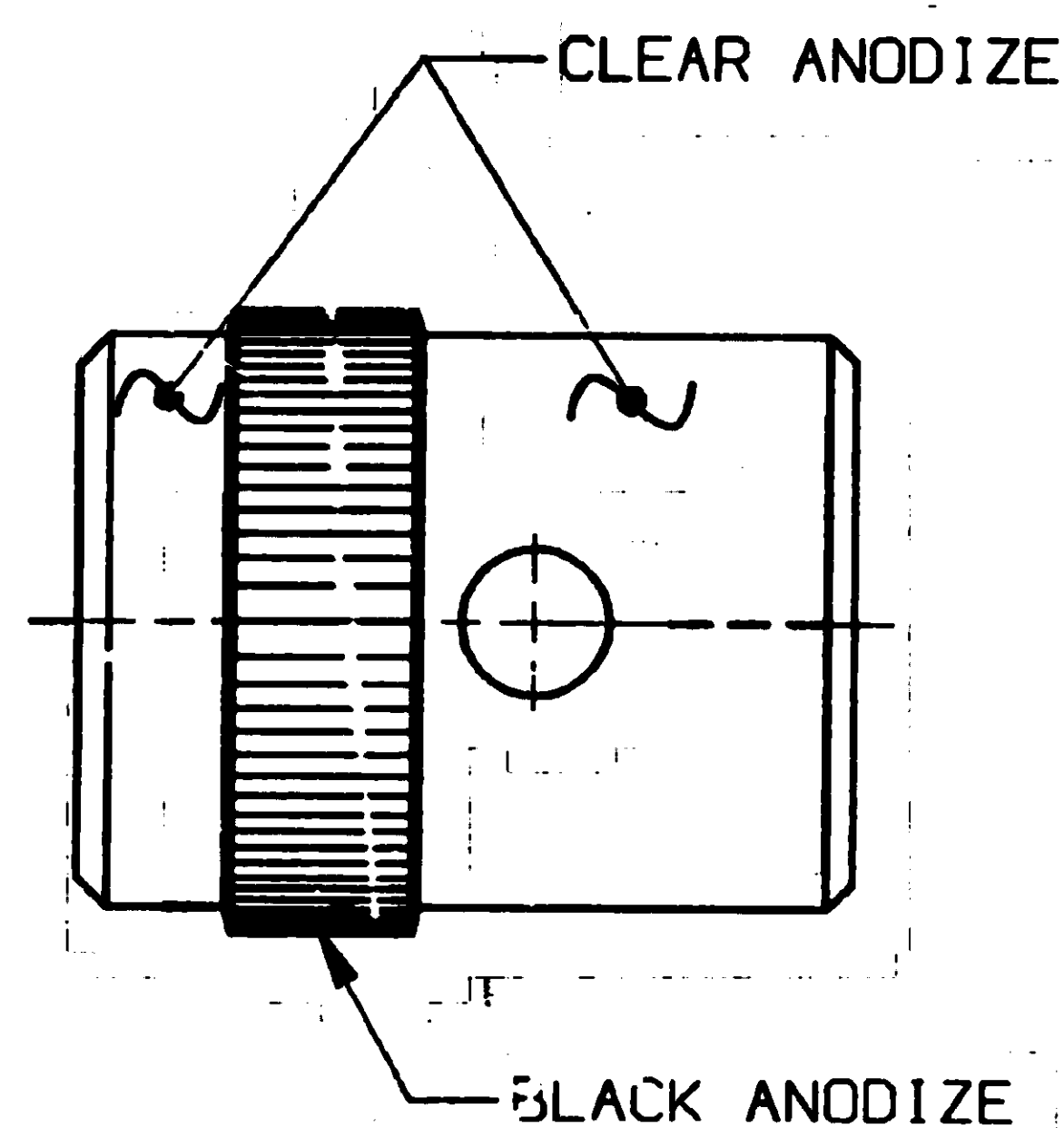
MATERIALS: ALUMINUM
 FINISH: ANODIZED
 SET SCREW: #6-32 UNC-2A
 STAINLESS STEEL

NOTES:

1. INTERPRET DRAWING PER ASME Y14.5M 1994.

MODEL NO.	A DIA.	B DIA.	C DIA.
KE-500AB-1/8	.500	.126/.129	.382
KE-500AB-1/4	.500	.251/.254	.382
KE-700AB-1/4	.740	.251/.254	.630
KE-900AB-1/4	.937	.251/.254	.787
KE-1250AB-1/4	1.250	.251/.254	1.062

KE-500AB-1/8 AS SHOWN



OUTLINE DRAWING
 SPECIFICATIONS ARE SUBJECT TO CHANGES WITHOUT NOTICE

THIS IS A C.A.D. GENERATED DRAWING.
 DO NOT MAKE MANUAL REVISIONS TO MASTER.

REV	DESCRIPTION
0	INITIAL RELEASE ESR#A6989 SEK 10-13-95 APP'D: [Signature]

TOLERANCES (EXCEPT AS NOTED) ANGULAR = ±.031 (NON-CUMULATIVE) DECIMAL .XX DECIMAL .XXX DECIMAL .XXXX	UNLESS OTHERWISE SPECIFIED DIMENSIONS ARE IN INCHES DO NOT SCALE PRINT	ORIGINAL DATE OF DRAWING: 10-13-95	AUGAT 6 JOHN DIETSCH BLVD. ATLEBORO FALLS, MASS. 02763
	FILE NAME: B455001 DIRECTORY: KNOBS	DRAWN: S. KIRCORIAN DATE: 10-13-95	
MATERIAL: SEE SPECIFICATIONS	FINISH: SEE SPECIFICATIONS	CHECKED: [Signature] DATE: 10-30-95	DWG. NO.: 80053
ANNOTATION: CONFIDENTIAL This document contains information which is the exclusive property of Augat, Inc. Distribution, reproduction or use by others is not permitted without the expressed written consent of Augat, Inc.	CODE IDENT. NO.: 91506	DATE: 10-30-95	REV. 0
	NEXT ASSY:	SCALE:	SHEET 1 OF 1