

**CUSTOMER DRAWING**

CATALOG #		6VM2S
ECO #	APPRVD	DATE
23-196683	JB	02FEB23

**SAFETY ORGANIZATIONS**

THIS FILTER HAS BEEN FORMALLY RECOGNIZED, CERTIFIED OR APPROVED BY THE LISTED AGENCY. THEREFORE, ALL TEST/REQUIREMENTS SPECIFIED IN THE LATEST REVISION OF THE FOLLOWING AGENCY STANDARDS HAVE BEEN MET:

UL RECOGNIZED: UL 498  
 CSA CERTIFIED: CSA C22.2 No. 42

**OPERATING SPECIFICATIONS**

LINE VOLTAGE/CURRENT: 6 AMP, 120 VAC,  
 4 AMP/40°C, 250 VAC  
 LINE FREQUENCY: 47-440Hz

**RELIABILITY SPECIFICATIONS:**

STORAGE TEMPERATURE: -55°C TO +85°C  
 HUMIDITY: 21 DAYS @ 40°C 95% RH.  
 CURRENT OVERLOAD TEST: 6 TIMES I<sub>r</sub> FOR  
 8 SECONDS

**TEST SPECIFICATIONS:**

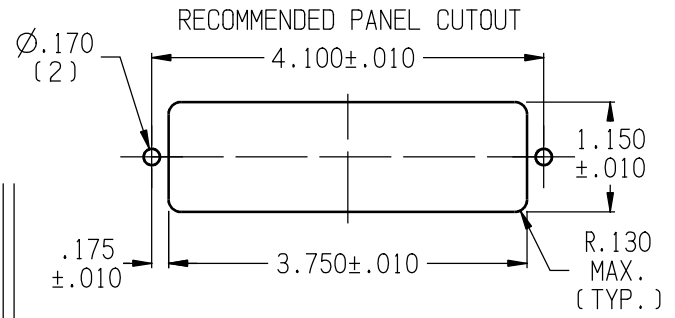
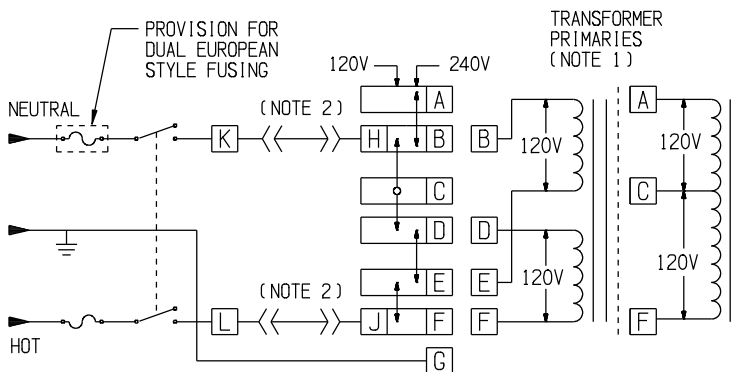
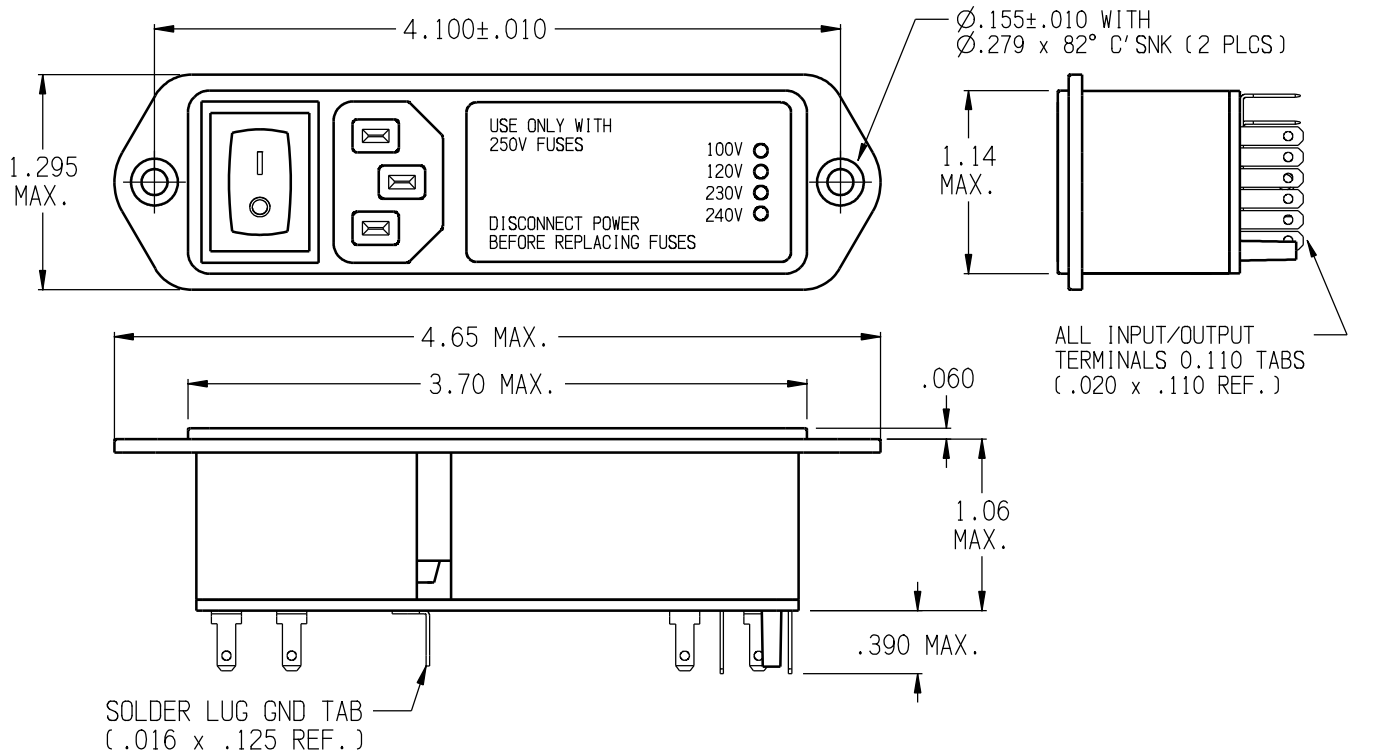
LINE/GROUND AND LINE/LINE: 6000Ω (MIN.) @ 100VDC,  
 INSULATION RESISTANCE: @ 20°C AND 50% RH

**RECOMMENDED RECEIVING INSPECTION HIPOT:**

LINE TO GROUND: 1500 VAC FOR 1 MINUTE  
 LINE TO LINE: 1450 VDC FOR 1 MINUTE

**FILTER APPROVAL:**

THE BEST WAY TO SELECT AND QUALIFY A FILTER IS FOR YOUR ENGINEERING TO TEST THE UNIT IN YOUR EQUIPMENT.



NOTE 1.) WHEN USING A CENTER-TAPPED TRANSFORMER, THE C-F WINDING SHOULD BE THE LOW VOLTAGE (HIGH CURRENT) WINDING AND MUST BE CAPABLE OF HANDLING THE FULL PRIMARY CURRENT IN THE 120V POSITION.  
 NOTE 2.) JUMPERS REQUIRED IF NO SWITCH IS USED.

50Ω - 50Ω (MINIMUM) INSERTION LOSS										
FREQUENCY MHz	/	/	/	/	/	/	/	/	/	/
COMMON dB	/	/	/	/	/	/	/	/	/	/
DIFF. dB	/	/	/	/	/	/	/	/	/	/
SHEET SIZE	THIRD ANGLE PROJECTION									
THIS INFORMATION IS CONFIDENTIAL AND PROPRIETARY TO TYCO ELECTRONICS CORPORATION AND ITS WORLDWIDE SUBSIDIARIES AND AFFILIATES. IT MAY NOT BE DISCLOSED TO ANYONE OTHER THAN TYCO ELECTRONICS PERSONNEL, WITHOUT WRITTEN AUTHORIZATION FROM TYCO ELECTRONICS CORPORATION. (www.TE.com)										

PARTS SHALL COMPLY WITH TYCO ELECTRONICS 138-702 SPECIFICATION FOR HAZARDOUS SUBSTANCES UNLESS OTHERWISE SPECIFIED TOLERANCE TO BE ±0.025 MATERIAL & FINISH: AS SUPPLIED DIMENSIONS IN INCHES

NOTES:

6VM2S-R.ckd

TE Connectivity

**POWER LINE FILTER**

TE PART NO.: 3-6609128-1

SCALE: 7/8 DATE: 18APR94 DRAWING NUMBER: 6VM2S REV. R

DRW. BY: LJD DRIG: TAM