

**CUSTOMER DRAWING**

**CATALOG # 6VM1C**

ECO #	APPRVD	DATE
23-196683	JB	02FEB23

SAFETY ORGANIZATIONS

THIS FILTER HAS BEEN FORMALLY RECOGNIZED, CERTIFIED OR APPROVED BY THE LISTED AGENCY. THEREFORE, ALL TEST/REQUIREMENTS SPECIFIED IN THE LATEST REVISION OF THE FOLLOWING AGENCY STANDARDS HAVE BEEN MET:

UL RECOGNIZED: UL 498  
 CSA CERTIFIED: CSA C22.2 No. 42

OPERATING SPECIFICATIONS

LINE VOLTAGE/CURRENT: 6 AMP, 120 VAC,  
 6 AMP/40°C, 250 VAC  
 LINE FREQUENCY: 47-440Hz

RELIABILITY SPECIFICATIONS:

STORAGE TEMPERATURE: -55°C TO +85°C  
 HUMIDITY: 21 DAYS @ 40°C 95% RH.  
 CURRENT OVERLOAD TEST: 6 TIMES I<sub>r</sub> FOR  
 8 SECONDS

TEST SPECIFICATIONS:

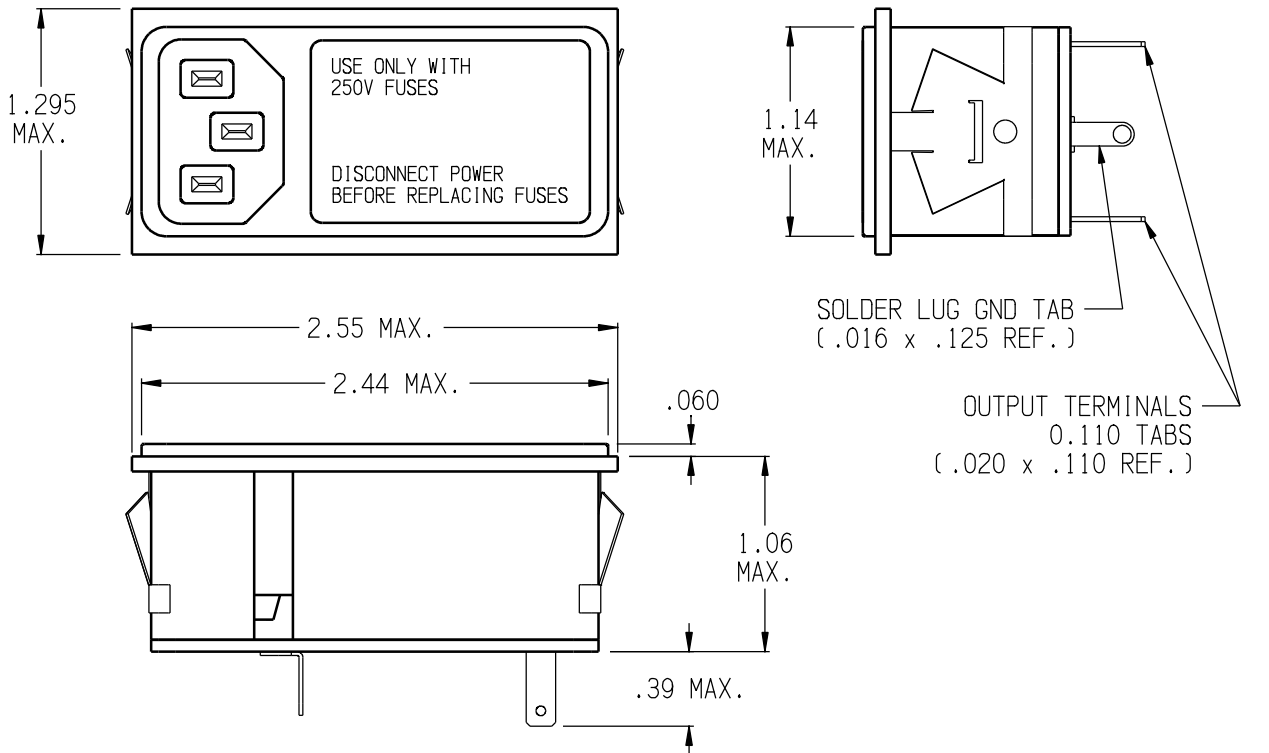
LINE/GROUND AND LINE/LINE: 6000MΩ (MIN.) @ 100VDC,  
 INSULATION RESISTANCE: @ 20°C AND 50% RH

RECOMMENDED RECEIVING INSPECTION HIPOT:

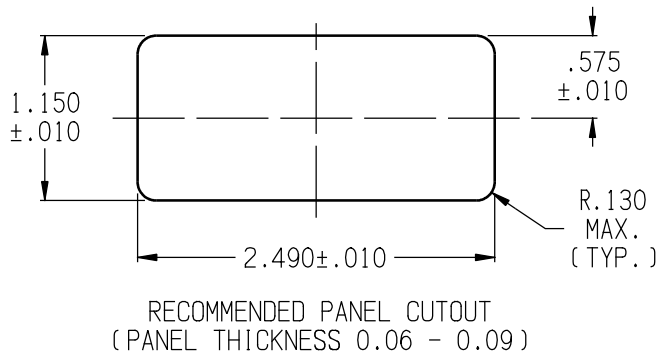
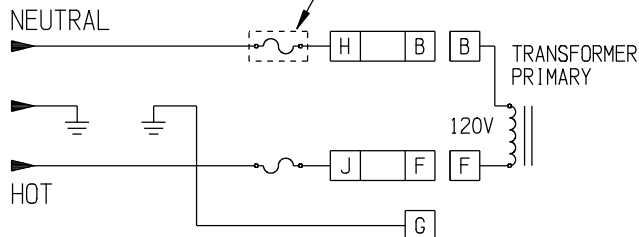
LINE TO GROUND: 1500 VAC FOR 1 MINUTE  
 LINE TO LINE: 1450 VDC FOR 1 MINUTE

FILTER APPROVAL:

THE BEST WAY TO SELECT AND QUALIFY A FILTER IS FOR YOUR ENGINEERING TO TEST THE UNIT IN YOUR EQUIPMENT.



PROVISION FOR DUAL EUROPEAN STYLE FUSING



50Ω - 50Ω (MINIMUM) INSERTION LOSS

PARTS SHALL COMPLY WITH TYCO ELECTRONICS 138-702 SPECIFICATION FOR HAZARDOUS SUBSTANCES

UNLESS OTHERWISE SPECIFIED TOLERANCE TO BE ±0.025 MATERIAL & FINISH: AS SUPPLIED DIMENSIONS IN INCHES

NOTES:



**POWER LINE FILTER**

TE PART NO.: 2-6609128-7

SCALE: 1:1	DATE: 18APR94	DRAWING NUMBER: 6VM1C	REV. F
DRW. BY: LJD	DRIG: TAM		



THIS INFORMATION IS CONFIDENTIAL AND PROPRIETARY TO TYCO ELECTRONICS CORPORATION AND ITS WORLDWIDE SUBSIDIARIES AND AFFILIATES. IT MAY NOT BE DISCLOSED TO ANYONE OTHER THAN TYCO ELECTRONICS PERSONNEL, WITHOUT WRITTEN AUTHORIZATION FROM TYCO ELECTRONICS CORPORATION. (www.TE.com)

6VM1C-F.cxd