

**SAFETY ORGANIZATIONS**

THIS FILTER HAS BEEN FORMALLY RECOGNIZED, CERTIFIED OR APPROVED BY THE LISTED AGENCY. THEREFORE, ALL TEST/REQUIREMENTS SPECIFIED IN THE LATEST REVISION OF THE FOLLOWING AGENCY STANDARDS HAVE BEEN MET:

 UL RECONGNIZED: UL 1283

 CSA CERTIFIED: CSA C22.2 No. 8

 VDE APPROVED: EN 60939-2

6EHQ3

EC #	APPR.	DDMMYY	REV.
14-015108	TAM	29OCT14	J

**OPERATING SPECIFICATIONS**

LINE CURRENT/VOLTAGE: 6 AMP, 120/250 VAC  
 CSA & VDE: 6 AMP/40°C, 250 VAC

OPERATING AMBIENT TEMP. RANGE: -10°C TO +40°C @ RATED CURRENT, I<sub>r</sub>.  
 IN AN AMBIENT, T<sub>a</sub>, HIGHER THAN 40°C, THE MAXIMUM OPERATING CURRENT, I<sub>o</sub>, IS AS FOLLOWS:

$$I_o = I_r \sqrt{\frac{100 - T_a}{60}}$$

LINE CURRENT/VOLTAGE: 6 AMP, 120/250 VAC  
 UL: 6 AMP/25°C, 120/250 VAC

OPERATING AMBIENT TEMP. RANGE: -10°C TO +25°C @ RATED CURRENT, I<sub>r</sub>.  
 IN AN AMBIENT, T<sub>a</sub>, HIGHER THAN 40°C, THE MAXIMUM OPERATING CURRENT, I<sub>o</sub>, IS AS FOLLOWS:

$$I_o = I_r \sqrt{\frac{100 - T_a}{75}}$$

LINE FREQUENCY: 50-60Hz

MAXIMUM LEAKAGE CURRENT, EACH LINE TO GROUND:  
 2mA @ 120V, 60Hz  
 5mA @ 250V, 50Hz

**RELIABILITY SPECIFICATIONS:**

STORAGE TEMPERATURE: -40°C TO +85°C  
 HUMIDITY: 21 DAYS @ 40°C 95% RH.  
 CURRENT OVERLOAD TEST: 6 TIMES I<sub>r</sub> FOR 8 SECONDS

**RECOMMENDED RECEIVING INSPECTION HIPOT:**

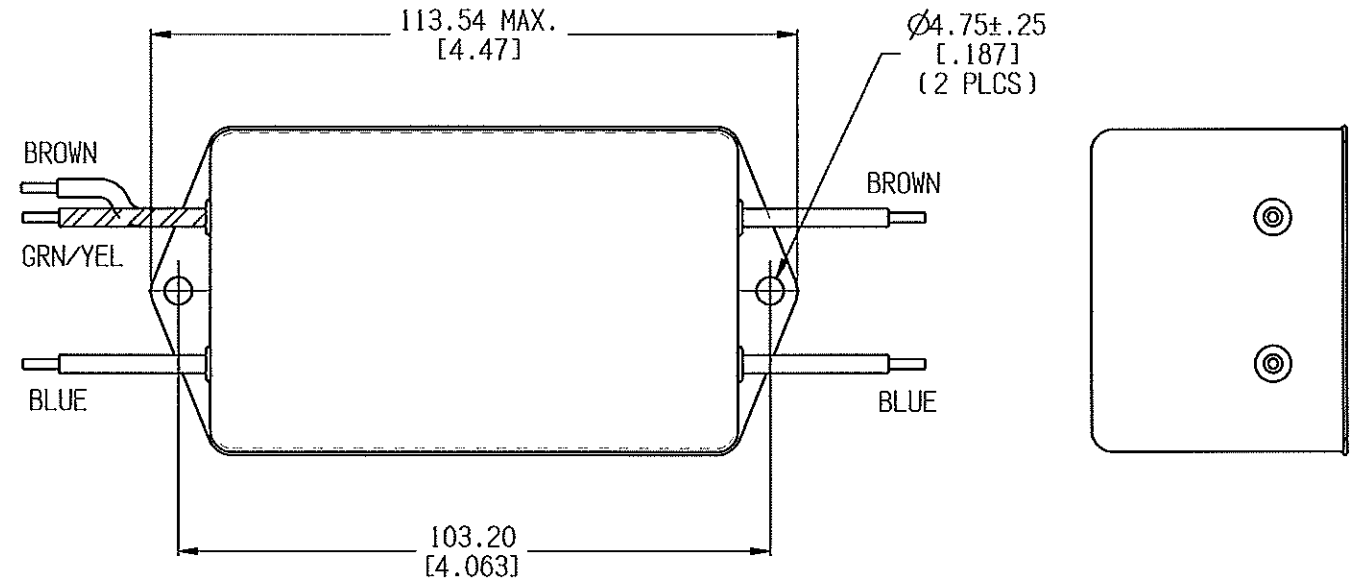
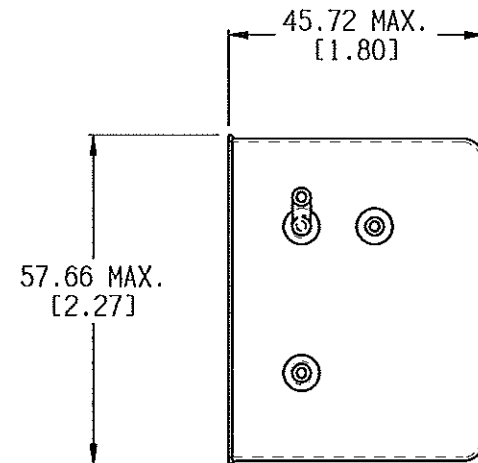
LINE TO GROUND: 1500 VAC FOR 1 MINUTE  
 LINE TO LINE: 1450 VDC FOR 1 MINUTE

**FILTER APPROVAL:**

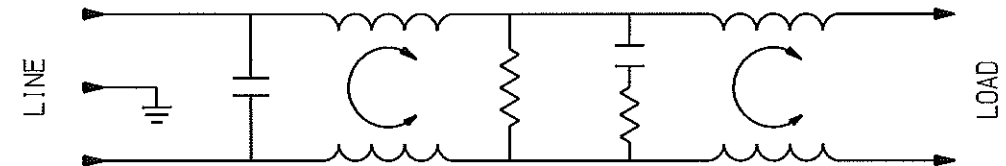
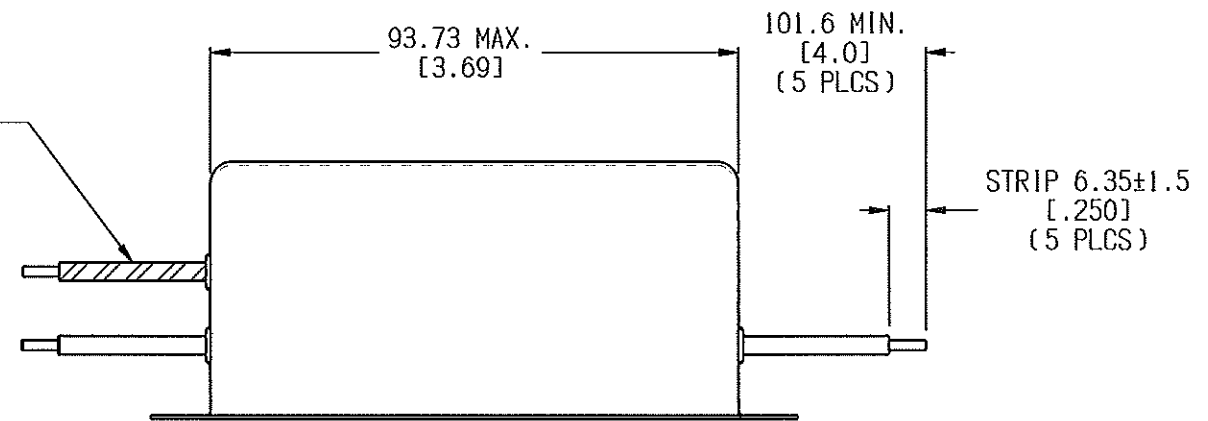
THE BEST WAY TO SELECT AND QUALIFY A FILTER IS FOR YOUR ENGINEERING TO TEST THE UNIT IN YOUR EQUIPMENT.

**TEST SPECIFICATIONS:**

INDUCTANCE: 48.8 mH NOMINAL  
 CAPACITANCE: (MEASURED @ 1KHz, 0.250VAC MAX., 25°C±1°C)  
 LINE TO GROUND: NA μF ±20%  
 LINE TO LINE: 1.97 μF ±20%  
 DISCHARGE RESISTOR: 165 KΩ  
 L/G AND L/L I.R.  
 NO DISCHARGE RESISTOR: 6000MΩ (MIN.) @ 100VDC, 20°C AND 50% RH



18 AWG VW-1 WIRE (5 PLCS)



50 Ω - 50 Ω (MINIMUM) INSERTION LOSS												
FREQUENCY MHz	.01	.015	.02	.05	.15	.5	2	5	7	10	20	30
COMMON dB	26	28	31	20	68	72	72	68	55	55	50	45
DIFF. dB	6	4	10	43	70	75	75	65	52	55	55	55

PARTS SHALL COMPLY WITH TYCO ELECTRONICS 138-702 SPECIFICATION FOR HAZARDOUS SUBSTANCES

UNLESS OTHERWISE SPECIFIED TOLERANCE TO BE ±0.63 MATERIAL & FINISH: AS SUPPLIED

**TE Connectivity**

**CUSTOMER DRAWING**

DIMENSIONS IN MILLIMETERS: 3/4  
 DATE: 29SEP03  
 DRAWING NUMBER: 6EHQ3  
 REV. J

TE PART NO: 6609054-6  
 DRG. BY: LJD  
 DRG. TAM

6EHQ3 J.ckd Rev Layout 2