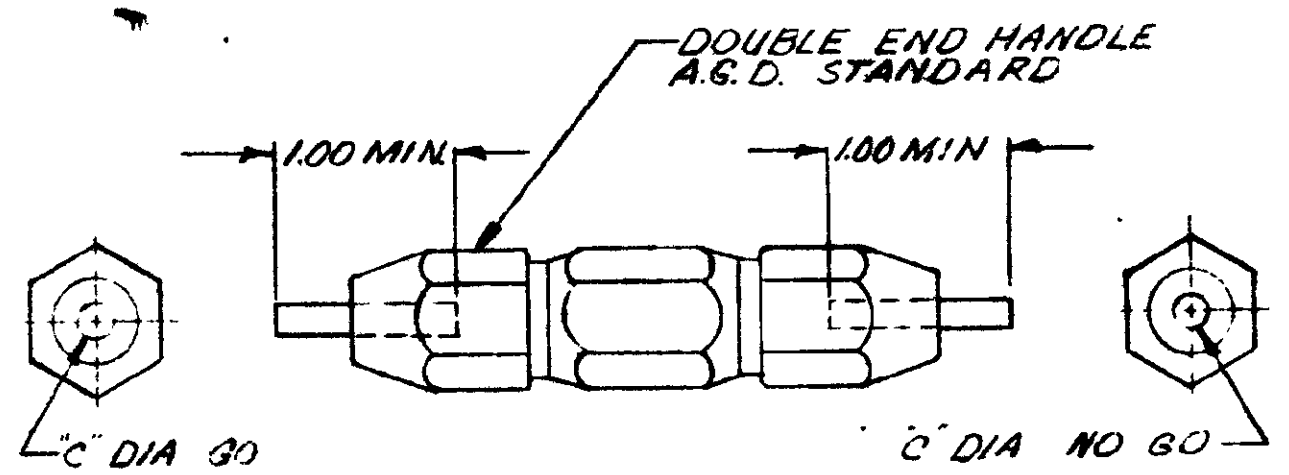
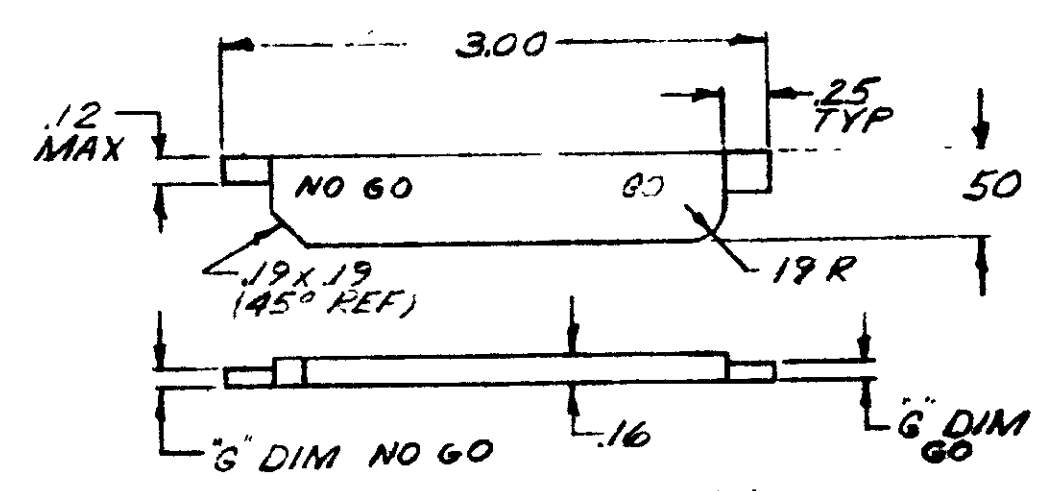


INSULATION CRIMP BARREL CRIMP
 ENLARGED VIEW OF CRIMPS

"G" DIM AT POS. #1		"C" DIM	
GO	NO GO	GO	NO GO
.030	.050	.109	.115



SUGGESTED PLUG GAGE FOR "C" DIM BARREL CRIMP



SUGGESTED PLUG GAGE FOR "G" DIM INSULATION CRIMP

PLUG GAGE DIMENSIONS APPLY WHEN TOOL IS BOTTOMED BUT NOT UNDER PRESSURE.

SUPERSEDED BY IS-2423

NUMBER	NAME	REMARKS	ITEM NO.
1	307275-1	SADDLE	9
1	2-59577-9	SCREW (10-32 UNF-3A X .470 LONG)	8
1	59781-6	SCREW-SPECIAL	7
1	1-59619-7	ANVIL-INSULATION	6
1	59623-6	ANVIL	5
2	1-21046-3	RING-RETAINING	4
1	59779-2	INDENTER	3
1	307285-1	INDENTER-INSULATION	2
1	59781-2	SCREW-SPECIAL	1

REQUIRED PER ASSEMBLY	©1969 BY AMP INCORPORATED ALL RIGHTS RESERVED AMP PRODUCTS COVERED BY PATENTS AND/OR PATENTS PENDING	CUSTOMER COPY REFERENCE ONLY	
	BY <i>E. Sheffield</i> 11-21-69	MATERIAL AND FINISH	AMP INCORPORATED HARRISBURG, PENNA.
	DATE 11-21-69	WIRE - RANGE - INSULATION	USED ON 69875
		22-16 +	TYPE CONFINED CRIMP-EN
		TOLERANCE EXCEPT AS NOTED ± .015	SCALE 4:1
		SCALE 4:1	REV 81
	DATE 11-26-69	NAME DIE ASSEMBLY MOD B	

REVISION RECORD	ECN	DATE
BY IS-2423		11-21-69
REVISED		11-21-69